

COMUNELLO
AUTOMATION

Life
made
easy



COMUNELLO

AUTOMATION
FOR GATES, DOORS
AND BARRIERS

GENERAL CATALOGUE



 **COMUNELLO**

Life
made
easy

EUROPEAN STANDARDS EN 12453 - EN 12445

Comunello Group is at your side:

1. To inform:

a. What are the current regulations?

EN 12453 and EN 12445 standards specifies compliance and safety requirements for automated locking that may come into contact with people, allowing you to define all the technical solutions necessary for the safety of the user.

b. What are the contexts required by European standards?

Type of control	Hold to run	Impulse located in sight of gate	Impulse not located in sight of gate (radio control)	Automatic (Impulse)
Exemples	switch or key operated switch	switch or key operated switch	Radio control unit	Operating cycle
Conditions of use	no public present TRAINED User	A	C	C + D
	no public present UNTRAINED User	C	C	C + D
	public may be present TRAINED User	B	C	C + D
	public may be present UNTRAINED User	-	C + D	C + D

c. What are the required safety devices?

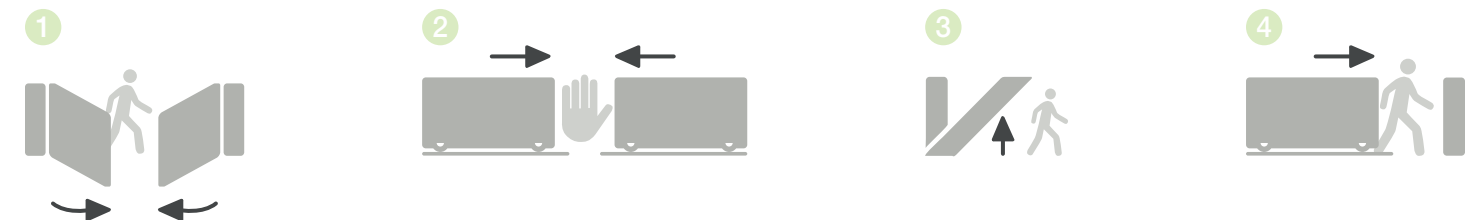
- A** Operator Presence (continuous pressure required).
- B** Operator Presence (continuous pressure not required).
- C** Mechanical (sensitive edges) and electronic devices. You need to check whether the maximum impact forces are in line with the values required by the standards.
- D** Photocells, to allow detection of the presence of an obstacle in the automation operational area.

2. To offer “turnkey solution” :

a. COMUNELLO certifies the products are in compliance with the standards.

When a gate, a door or other type of opening is automated, it becomes a machinery which may involve risks. These are of different types:

- 1- Crushing
- 2- Shearing
- 3- Lifting (in case of barrier with a vertical movement)
- 4- Conveying



b. provides complete solution in order to certify the installation.

the wide range of automation for slide and swing gates, barriers and garage doors has been developed and produced conforming to the security European Norms. Such automations allow the installer to certify his installation. For further details please contact our tech support.

technical_assistance@comunello.it

1. Swing gates



	EAGLE	36	ABACUS 220 / 300 / 500	46	CONDOR 220 / 350	66	CONDOR 500	80
---	--------------	----	-------------------------------	----	-------------------------	----	-------------------	----

3. Garage doors




	RAMPART	128		SALIENT	134
---	----------------	-----	---	----------------	-----






2. Sliding and cantilever gates



	FORT 400 / 500	100		FORT 600/700/1000/1500	108		FORT DUAL 1000	116		FORT 3500	120
---	-----------------------	-----	---	-------------------------------	-----	--	-----------------------	-----	---	------------------	-----

4. Barrier gates



	BORDER 400	144		LIMIT 500	152		LIMIT 600	164		LIMIT 800	172
	BORDER 600	148									

5. Accessories



	5.1 MECHANICAL ACCESSORIES	184		5.2 CONTROL UNIT	208		5.3 CONTROL ACCESSORIES	218		5.4 SAFETY ACCESSORIES	244		5.5 WIRING DIAGRAMS	252
---	-----------------------------------	-----	---	-------------------------	-----	---	--------------------------------	-----	---	-------------------------------	-----	---	----------------------------	-----

Made in Italy
Made in Comunello



A company with 50 years of manufacturing experience, a clear international vision based on the quality of our design, our groundbreaking technology, the solidity of our production, and our commitment to technical service and customer care.

Automation for now and for the future.

 **COMUNELLO**

The strength of a solid industrial group



The Comunello Group of companies is built on a solid, reliable, well-structured manufacturing base. The Group comprises 4 Divisions with all products from each Division 100% designed and manufactured at the company premises in Italy. This total control over manufacturing processes guarantees the highest levels of quality. Comunello was founded in 1965 and today exports to more than 105 countries worldwide.

COMUNELLO
GATE DIVISION

COMUNELLO
AUTOMATION

COMUNELLO
FRAME DIVISION

COMUNELLO
FRAME AUTOMATION



GATE AUTOMATION WILL NEVER BE THE SAME AGAIN

— Your most precise tool.

Comunello has created, for the first time ever, the most revolutionary development in Gate Automation - ONE Technology.

Installation and management made incredibly Simple, incredibly professional. From wiring to set-up to multi use management - clarity, precision and control with the touch of a screen.



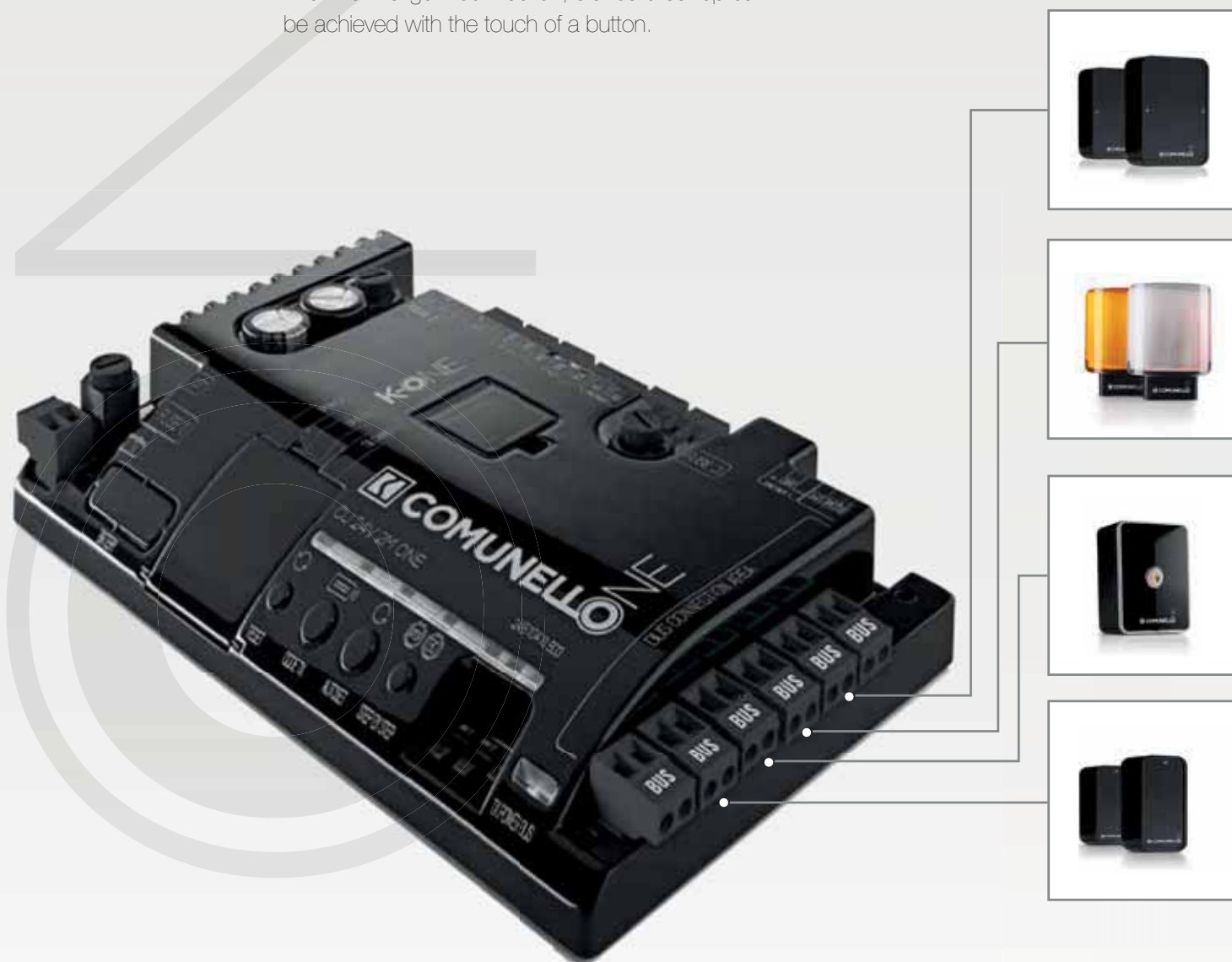
ONE TECHNOLOGY

1 Easy accessory installation

Any accessory can be connected to any terminal

All accessories have an extremely easy 2 input bus connection and can be connected to the bus connection area terminals in any position. The intelligent **One** control board can identify all peripheral accessories.

After the intelligent connection, standard set-up can be achieved with the touch of a button.



2 K-ONE

Through the use of the wi-fi transmitter K-One, you can manage all motor and accessory settings using the app Comunello One on tablet or smartphone.

- High-speed bidirectional radio transmitter 2.5 GHz
- Communication based on proprietary protocol
- 20 m range in open air
- Dedicated power supply from the control board



ONE TECHNOLOGY

COMUNELLO
AUTOMATION

3 INCREDIBLY SIMPLE, INCREDIBLY PROFESSIONAL



Select the type of gate being installed.

Auto-set provides a rapid and complete set-up.

Rapid selection of motor direction/open-close setting.

3D visualization with touch screen control of the complete project with accessories visualized.

In **Pro-settings** all parameters can be fine tuned for every aspect of the set-up

In **Pro-settings** the installer has complete management of up to 400 remote control codes.



Pro-setting allows for a fully articulated and detailed set-up. Incredibly easy, intuitive and rapid.

APP
COMUNELLO ONE



Visual efficiency

An innovative advanced remote control transmitter crafted from prestigious materials with minimalist styling for unparalleled elegance. The VICTOR 50 comes in a matt black finish and sports a genuine metal profile giving it a luxurious, refined look.

Colour is freedom. We have created VICTOR in a range of strong, powerful colours. the five stunning variations are: woodland green, saffron yellow, ocean blue, velvet red and slate grey.

The SWIFT LED signal light with integrated antenna follows the Comunello design philosophy. It is clean, elegant and timeless and is at home with any architectural style.



Comunello: Design made to resist

Since 1965 every product is 100% made in Italy at Comunello Group premises. Because the company has always used certified control systems and materials of the highest quality for outstanding reliability and cast-iron guarantees.

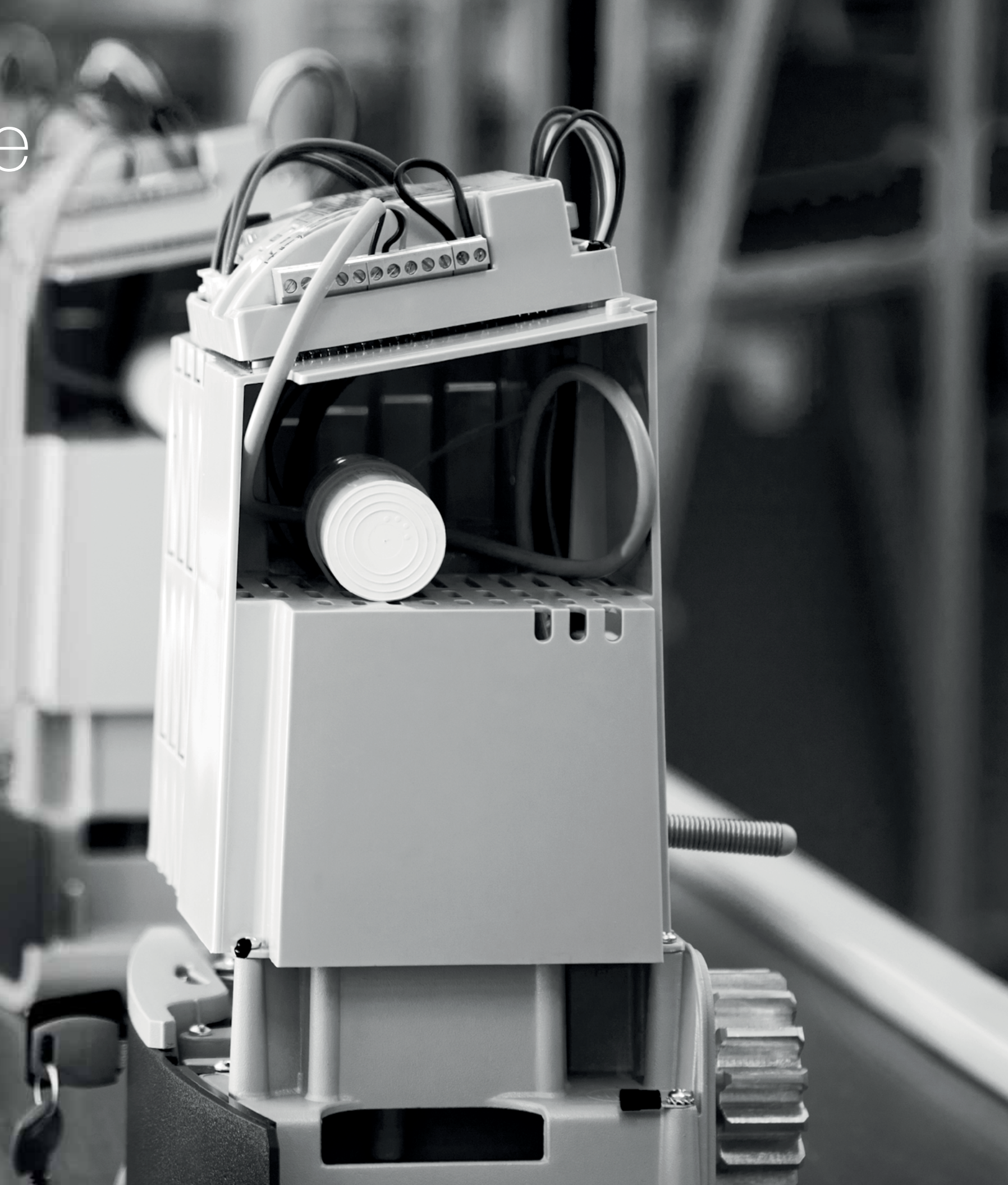


Mechanical excellence
Electrical simplicity

Precisely what you
would expect.

With our reputation for mechanical excellence and passion for movement, the Automation Project is a natural expression of our company Vision. As a result we offer products at a level of quality that's precisely what our clients would expect, and deserve. In keeping with the company philosophy for making life easy, all control electronics have been designed to be as clear to use as possible. Because we've spent more time in the design phase, you'll spend less time for installation. All connections are clearly shown on the electronic control unit to facilitate a rapid and efficient set up.

COMUNELLO
AUTOMATION





24V



230V

Two voltages, one series of commands

The HP electronic control unit provides a vast range of programming options making it ideal for use with even the most advanced home automation systems. Comunello has two types of unit at 24V and 230V. To make life easy the first

series of commands is the same for both units, with set up based on a simple, intuitive program select system using LEDs. And once the first unit has been programmed, simply copy it across to the other. Life Made Easy!

- **Easy-to-use multi-level menu with clear LED guide for simple set up**
All features are set up using the easy-to-use multi-level menu accessed by just two buttons on the control panel. A simple LED system provides clear information on the status (on/off) of each feature.

- **Motor direction set up**
The control panel is equipped with microswitches for rapid set up of motor delay and direction requiring no rewiring of either the motor or the end stop.

- **24V & 230V warning / working light output**
Both low 24V and high 230V voltage warning / working lights can be connected to the unit (for CU-230V-HP only).

- Double protection with fuse
- Direct adjustment of Speed (24V), Slow down, Sensitivity and Power (24V)
- Auxiliary radio control channel
- Direct lock control output
- Photo-test for the photocell sensors
- Opto-isolated inputs
- Removable radio unit
- Back-up battery input (24V)
- Soft-Start & Soft-Stop
- Manual set up of movement
- Radio-controlled lock
- Simplified movement or schedule set up
- Encoder input
- Removable connectors and simplified layout
- Condominium function
- Gate status light output
- 8k2 security input

- **Control panel protective covering with printed instructions**

The electronic control panel has a protective cover which includes clear labelling of the terminals and instructions for the main menu features. This helps reduce set up times as all key information is always available.

- **Motor brake**
A motor brake is fitted which may be deactivated for the CU-230V-HP version.

- **Automated travel programming**
One-button programming of the gate movement.



1 Swing gates



EAGLE 38



ABACUS 220 / 300 / 500 46
ABACUS 220 48
ABACUS 300 54
ABACUS 500 60



CONDOR 220 / 350 66
CONDOR 220 68
CONDOR 350 74



CONDOR 500 80



RAM 88
RAM 220 / 300 90
RAM 500 92



COMUNELLO
AUTOMATION

Swing gates

Selection guide



COMUNELLO
AUTOMATION

Model	Power	Max leaf length (m)	Max leaf weight (kg)	Max leaf length (m)
CONDOR	CONDOR 220 24V ONE	2,2 m	150 kg	1 m
	CONDOR 220 24V FM			
	CONDOR 220 24V FE			
	CONDOR 220 24V FE E			
	CONDOR 220 24V FM SC			
	CONDOR 220 230V FM			
	CONDOR 220 230V FE			
	CONDOR 220 230V FE E			
	CONDOR 220 230V FM SC			
RAM	RAM 220 24V			
ABACUS	ABACUS 220 24V ONE	2,2 m	200 kg	1,2 m
	ABACUS 220 24V FM			
	ABACUS 220 24V FE			
	ABACUS 220 24V FE E			
	ABACUS 220 230V FM			
	ABACUS 220 230V FM E			
ABACUS	ABACUS 300 24V ONE	3 m	300 kg	1,5 m
	ABACUS 300 24V FM			
	ABACUS 300 24V FE			
	ABACUS 300 230V FM			
	ABACUS 300 230V FE			
	ABACUS 300 230V FM E			
RAM	RAM 300 24V			
RAM	RAM 300 230V			
CONDOR	CONDOR 350 24V ONE	3,5 m	225 kg	1,5 m
	CONDOR 350 24V FE E			
EAGLE	EAGLE 24V	3,5 m	350 kg	2 m
	EAGLE 24V EC			
	EAGLE 230V			
	EAGLE 230V EC			
CONDOR	CONDOR 500 24V ONE	5 m	400 kg	3,25 m
	CONDOR 500 24V FE			
	CONDOR 500 230V FE			
ABACUS	ABACUS 500 24V ONE	5 m	220 kg	2 m
	ABACUS 500 24V FE E			
	ABACUS 500 230V FE			
	ABACUS 500 230V FM E			
RAM	RAM 500 24V			
	RAM 500 230V			

Dimensions refer to a single leaf

EAGLE



For swing gate **max leaf length up to 3,5 m** (max leaf weight: **350 kg**)
For leaf weight of **600 kg**, max leaf length is **2 m**

EAGLE

EE BOX B

BOX

Black cataphoresis

BOX

s/steel

EE BOX INOX

24 VDC

230 VAC

- Underground gate — P. 38 — **EAGLE ONE** — P. 42 — **KIT** **EAGLE ONE**
- Underground gate — P. 40 — **EAGLE 24V** — P. 43 — **KIT** **EAGLE 24V**
- Underground gate with encoder — P. 40 — **EAGLE 24V EC**
- Underground gate — P. 40 — **EAGLE 230V** — P. 43 — **KIT** **EAGLE 230V**
- Underground gate with encoder — P. 40 — **EAGLE 230V EC**

ABACUS



For swing gate **max leaf length up to 2,2 m** (max leaf weight: **200 kg**)
For leaf weight of **300 kg**, max leaf length is **1,2 m**

ABACUS 220

For swing gate **max leaf length up to 3 m** (max leaf weight: **300 kg**)
For leaf weight of **500 kg**, max leaf length is **1,5 m**

ABACUS 300

For swing gate **max leaf length up to 5 m** (max leaf weight: **220 kg**)
For leaf weight of **500 kg**, max leaf length is **2 m**

ABACUS 500

- 24 VDC**
 - Mechanical stops with encoder — P. 48 — **ABACUS 220 ONE** — P. 52 — **KIT** **ABACUS 220 ONE**
 - Mechanical stops — P. 50 — **ABACUS 220 24V FM** — P. 53 — **KIT** **ABACUS 220 24V**
 - Electronic stops — P. 50 — **ABACUS 220 24V FE**
 - Electronic stops with encoder — P. 50 — **ABACUS 220 24V FE E**
- 230 VAC**
 - Mechanical stops — P. 50 — **ABACUS 220 230V FM** — P. 53 — **KIT** **ABACUS 220 230V**
 - Mechanical stops with encoder — P. 50 — **ABACUS 220 230V FM E**
- 24 VDC**
 - Mechanical stops with encoder — P. 54 — **ABACUS 300 ONE** — P. 58 — **KIT** **ABACUS 300 ONE**
 - Mechanical stops — P. 56 — **ABACUS 300 24V FM** — P. 59 — **KIT** **ABACUS 300 24V**
 - Electronic stops — P. 56 — **ABACUS 300 24V FE**
- 230 VAC**
 - Mechanical stops — P. 56 — **ABACUS 300 230V FM** — P. 59 — **KIT** **ABACUS 300 230V**
 - Electronic stops — P. 56 — **ABACUS 300 230V FE**
 - Mechanical stops with encoder — P. 56 — **ABACUS 300 230V FM E**
- 24 VDC**
 - Mechanical stops with encoder — P. 60 — **ABACUS 500 ONE** — P. 64 — **KIT** **ABACUS 500 ONE**
 - Electronic stops with encoder — P. 62 — **ABACUS 500 24V FE E** — P. 65 — **KIT** **ABACUS 500 24V**
- 230 VAC**
 - Electronic stops — P. 62 — **ABACUS 500 230V FE** — P. 65 — **KIT** **ABACUS 500 230V**
 - Mechanical stops with encoder — P. 62 — **ABACUS 500 230V FM E**

CONDOR



For swing gate **max leaf length up to 2,20 m** (max leaf weight: **150 kg**)
For leaf weight of **250 kg**, max leaf length is **1 m**

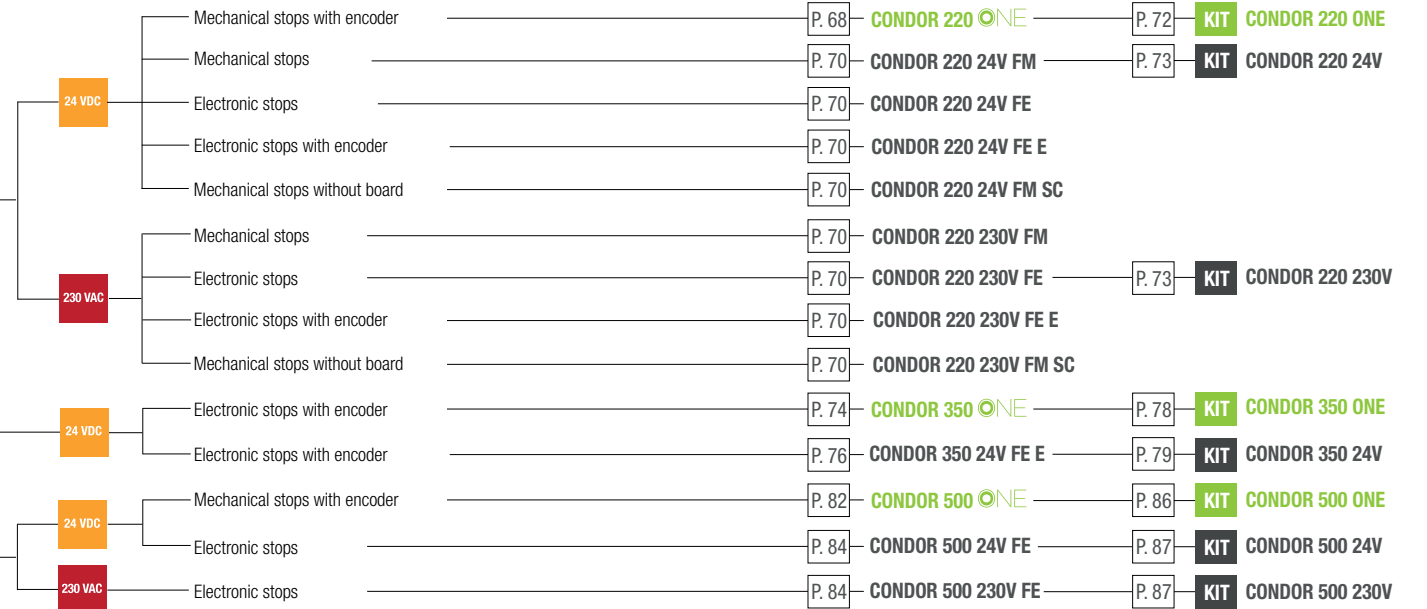
CONDOR 220

For swing gate **max leaf length up to 3,5 m** (max leaf weight: **225 kg**)
For leaf weight of **350 kg**, max leaf length is **1,5 m**

CONDOR 350

For swing gate **max leaf length up to 5 m** (max leaf weight: **400 kg**)
For leaf weight of **500 kg**, max leaf length is **3,5 m**

CONDOR 500



RAM



For swing gate **max leaf length up to 2,2 m** (max leaf weight: **150 kg**)
For leaf weight of **250 kg**, max leaf length is **1 m**

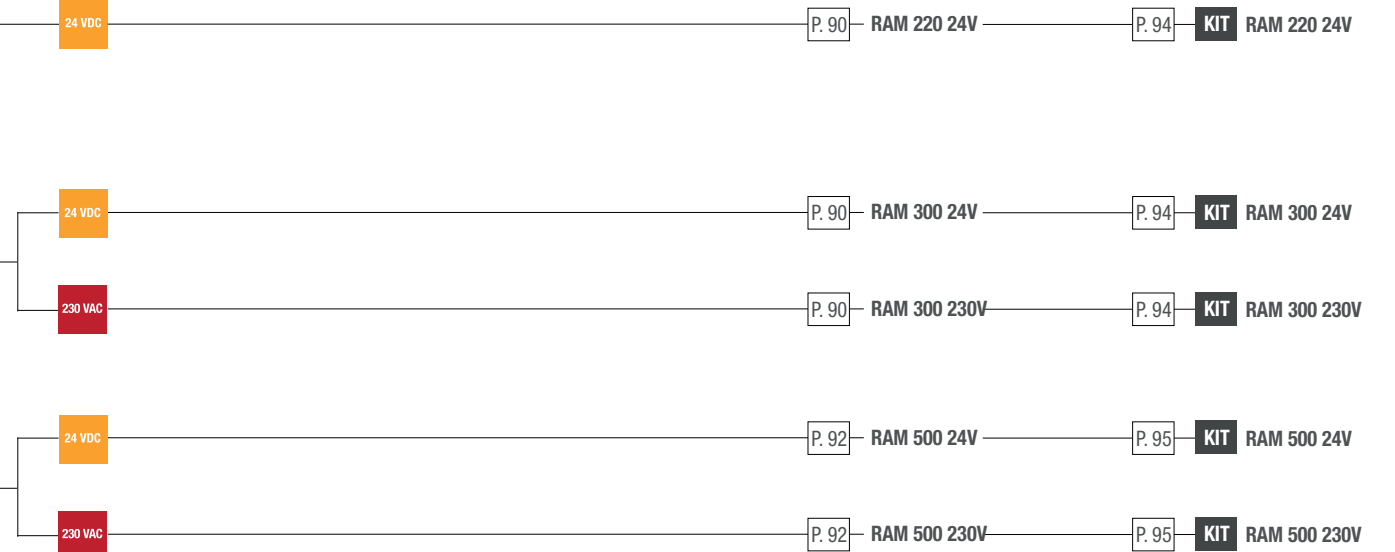
RAM 220

For swing gate **max leaf length up to 3 m** (max leaf weight: **300 kg**)
For leaf weight of **500 kg**, max leaf length is **1,5 m**

RAM 300

For swing gate **max leaf length up to 5 m** (max leaf weight: **220 kg**)
For leaf weight of **500 kg**, max leaf length is **2 m**

RAM 500





EAGLE

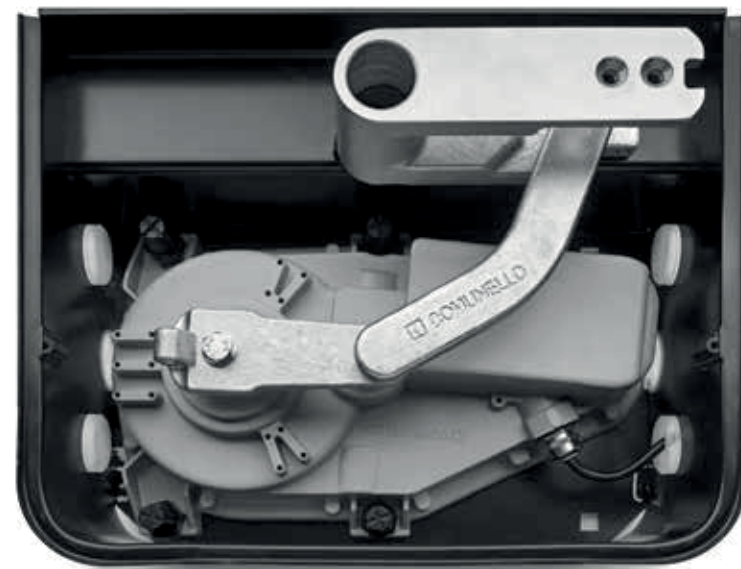
Underground electromechanical actuator for leaf up to 3,5 m (350 kg) / 600 kg for leaf up to 2 m in length



Underground electromechanical actuator

Eagle is a line of in-ground actuators designed to provide a solution for projects and architectural designs which require completely clean lines. These actuators are extremely corrosion resistant, discrete and compact. Absolute security and reliability is guaranteed

across the three models with lever or key release systems available internally and externally. Eagle actuators are practical and rapid to install, simple and intuitive to use. Optional versions with encoder are also available.

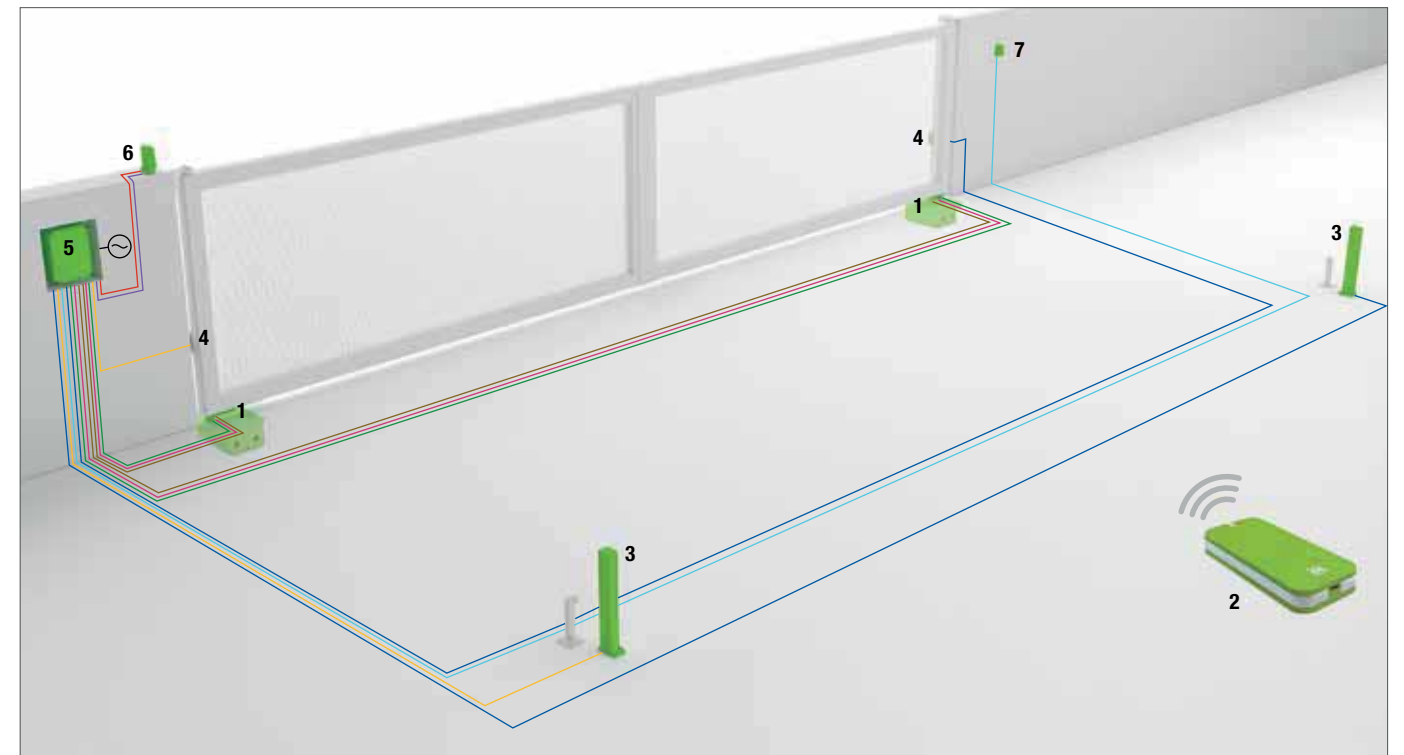


GENERAL INFORMATION

- **VDC and 230 VAC versions.**
Irreversible motors, 24 VDC & 230 VAC
- **Durable and compact**
Steel arms and casings, stainless steel versions are available. Transmission with metal gearings
- **Optional versions with encoder**
- **Safety and reliability**
3 models of lever and or key-release mechanisms available (internal and external)
- **Easy to use**

24 VDC 230 VAC

INSTALLATION TYPE



- 1 EAGLE
- 2 CONTROL RADIO
- 3 COLUMNS
- 4 PHOTOCELLS
- 5 CONTROL UNIT
- 6 SIGNAL LIGHT
- 7 SWITCH

24V	Description	Wire	Length (1 m to 20 m)	Length (20 m to 50 m)
—	Operating power supply		2 x 1,5 mm ²	2 x 2,5 mm ²
—	Motor power supply		2 x 2,5 mm ²	2 x 4,0 mm ²
—	Signal light		2 x 0,5 mm ²	2 x 1,0 mm ²
—	Photocell TX	FFROR CBI 20-22 CBI	2 x 0,5 mm ²	2 x 1,0 mm ²
—	Photocell RX	EN 50267-2-1	4 x 0,5 mm ²	4 x 1,0 mm ²
—	Key-operated switch		3 x 0,5 mm ²	3 x 1,0 mm ²
—	Limit switch		3 x 0,5 mm ²	3 x 1,0 mm ²
—	Encoder		3 x 0,5 mm ²	3 x 1,0 mm ²
—	Antenna	RG58	max 20 m	max 20 m

230V	Description	Wire	Length (1 m to 20 m)	Length (20 m to 50 m)
—	Operating power supply		3G x 1,5 mm ²	3G x 2,5 mm ²
—	Motor power supply		4G x 1,5 mm ²	4G x 2,5 mm ²
—	Signal light		2 x 0,5 mm ²	2 x 1,0 mm ²
—	Photocell TX	FFROR CBI 20-22 CBI	2 x 0,5 mm ²	2 x 1,0 mm ²
—	Photocell RX	EN 50267-2-1	4 x 0,5 mm ²	4 x 1,0 mm ²
—	Key-operated switch		3 x 0,5 mm ²	3 x 1,0 mm ²
—	Limit switch		3 x 0,5 mm ²	3 x 1,0 mm ²
—	Encoder		3 x 0,5 mm ²	3 x 1,0 mm ²
—	Antenna	RG58	max 20 m	max 20 m



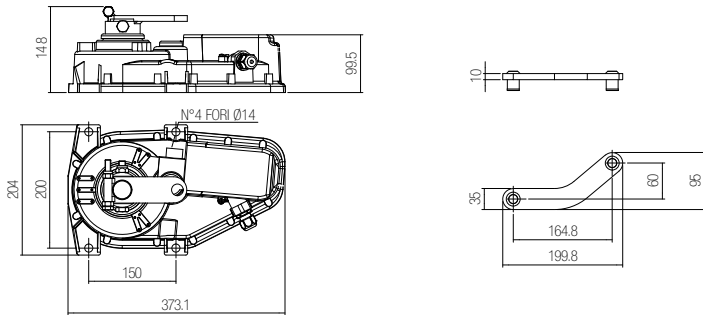
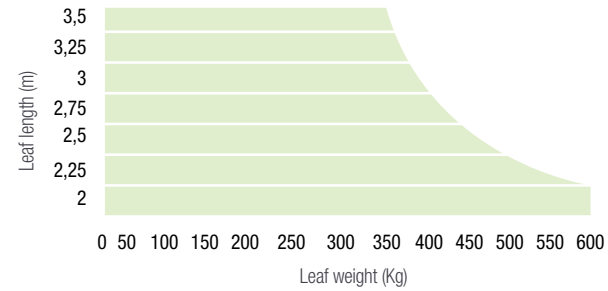
Swing gates

EAGLE ONE

Underground electromechanical actuator for leaf up to 3,5 m (350 kg)per leaf / 600 kg for leaf up to 2 m in length



OPERATING LIMITS



ONE TECHNOLOGY

ARTICLE	CODE	DESCRIPTION	PACKAGE	WEIGHT	PALETTE
■ EAGLE ONE	G1E0350ELOG00	24V Underground actuator	1 pcs.	15 kg	60



INSTALLATION CHART

- 2 EAGLE 24V ONE** - G1E0350ELOG00
24V Underground actuator
- 1 QUAD 2M ONE** - G1QUAD2MLOG00
2 Motors control unit 24V Basic
- 1 KEEP 2 RC** - GKEEP2STNOB00
2 Channels rolling code Remote control
- 2 MAST 50** - GMAST005N0G00
Extruded aluminium column h 50 cm
- 2 DART ONE** - G1DARTSTNOB00
Photocells DART RX+TX ONE
- 1 SWIFT ONE** - G1SWIFTSTYB00
Flashing signal lights
- 1 INDEX ONE** - G1INDEXSTOB00
Key-operated switch
- 1 AC-51** - G1BATTERLOG00
Battery kit

TECHNICAL CHARACTERISTICS

Electrical information	EAGLE ONE
Operating power supply	24 VDC
Power consumption	150 W
Current input	6,5 A
Torque	220 Nm
Duty cycle	intensive use
Protection rating (IP)	IP67
Insulation class	2
Working temperature	-20°C / +50°C
Speed	0,1 Rad/s
Weight	11,3 Kg

EAGLE ONE

ACCESSORIES from page 188 to 189

<p>Wi-fi key ONE can be used for all ONE settings (one key for one installer)</p> <p>Wi-fi connection key K-ONE / G1KEYWIFLOG00</p>	<p>Outdoor antenna AC 30 / GANTENNANOG00</p>	<p>Foundation box cataphoresis, arm kit included EE BOX B / GEE000BXNOB00</p>	<p>Foundation box s/steel, arm kit included EE BOX INOX / GEE000BXNIS00</p>	<p>Unlocking system with key for underground gate operator AC 150 / GEE001SBNOG00</p>
<p>Unlocking system with key and leverage for underground gate operator AC 160 / GEE002SBNOG00</p>	<p>Unlocking system with leverage for underground gate operator AC-170 / GEE003SBNOG00</p>	<p>360° opening set AC 180 / GEE360ASNOG00 AC 185 / GEE360ASNOG01 (for motors post 2017)</p>		

CONTROL ACCESSORIES from page 208 to 243

<p>Control unit QUAD-1M-ONE / G1QUAD1MLOG00</p>	<p>Control unit QUAD-2M-ONE / G1QUAD2MLOG00</p>	<p>Battery kit AC 51 / G1BATTERLOG00</p>	<p>Horizontal 12V electric lock AC 10 / GINDEXORMOG00</p>	<p>Vertical 12V electric lock AC 20 / GINDEXVRM000</p>	<p>Limit switch set for underground gate AC 190 / GEE001FNOG00</p>
---	---	--	---	--	--

SAFETY ACCESSORIES from page 244 to 251

<p>Flashing signal lights SWIFT ONE YELLOW / G1SWIFTSTYB00 SWIFT ONE WHITE / G1SWIFTSTYB00</p>	<p>Photocells DART ONE / G1DARTSTNOB00</p>	<p>Photocells DART SLIM ONE / G1DARTSLNOB00</p>	<p>Adjustable photocells DART ADJUSTABLE ONE G1DARTADNOB00</p>	<p>Signage table AC 40 / GSAFETYNOG00</p>
--	--	---	--	---

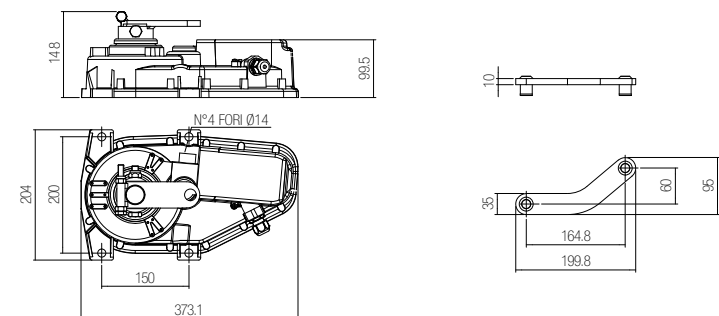
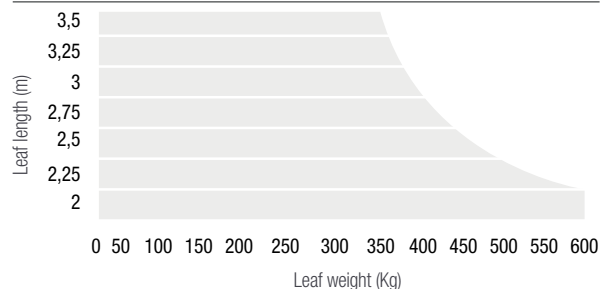


EAGLE

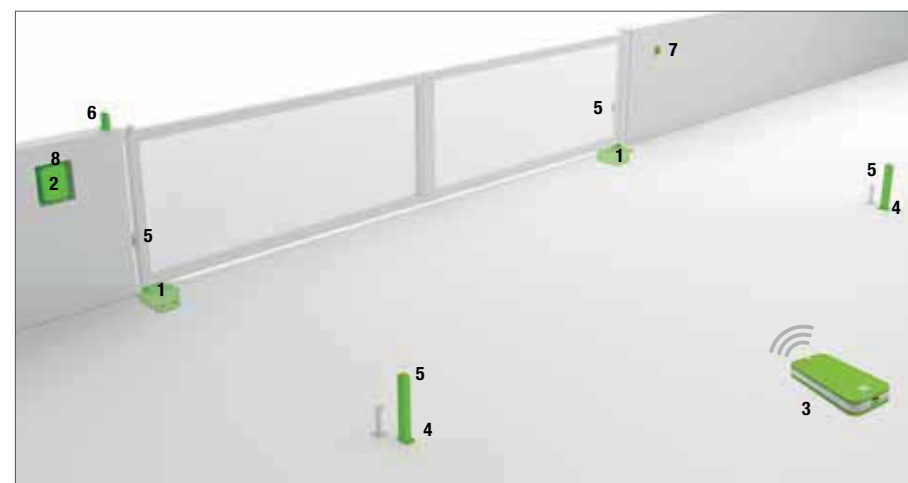
Underground electromechanical actuator for leaf up to 3,5 m (350 kg)per leaf / 600 kg for leaf up to 2 m in length



OPERATING LIMITS



ARTICLE	CODE	DESCRIPTION	PACKAGE	WEIGHT	PALETTE
■ EAGLE 24V	GEE03500LOG00	24V Underground actuator	1 pcs.	14,5 kg	60
■ EAGLE 24V EC	GEE0350ELOG00	24V Underground actuator with encoder	1 pcs.	15 kg	60
■ EAGLE 230V	GEE03500HOG00	230V Underground actuator	1 pcs.	15 kg	60
■ EAGLE 230V EC	GEE0350EHOG00	230V Underground actuator with encoder	1 pcs.	15 kg	60



INSTALLATION CHART

- 2 EAGLE 24V** - GEE03500LOG00
24V for swing leaves
- 1 QUAD 24V 2M** - GQUADST2LOG00
2 Motors control unit 24V Basic
- 1 KEEP 2 RC** - GKEEP2STNOB00
2 Channels rolling code Remote control
- 2 MAST 50** - GMAST005NOG00
Extruded aluminium column h 50 cm
- 2 DART** - GDARTSTDNOB00
Photocells
- 1 SWIFT** - GSWIFSTLYB00
Flashing signal lights
- 1 INDEX** - GINDEXSTNOB00
Key-operated switch avec cylindre standard
- 1 AC-50** - GBATTERYLOG00
Battery kit

TECHNICAL CHARACTERISTICS

Electrical information	24V	230V
Operating power supply	24 VDC	230 VAC
Power consumption	150 W	280 W
Current input	6,5 A	1,2 A
Torque	220 Nm	300 Nm
Duty cycle	intensive use	50%
Protection rating (IP)	IP67	IP67
Insulation class	2	1 (mise a la terre)
Working temperature	-20°C / +50°C	-20°C / +50°C
Speed	0,1 Rad/s	0,08 Rad/s
Weight	11,3 Kg	11,6 Kg

EAGLE

ACCESSORIES from page 188 to 189

 Outdoor antenna AC 30 / GANTENNANOG00	 Foundation box cataphoresis, arm kit included EE BOX B / GEE000BXNOB00	 Foundation box/steel, arm kit included EE BOX INOX / GEE000BXNIS00	 Unlocking system with key for underground gate operator AC 150 / GEE001SBN0G00	 Unlocking system with key and leverage for underground gate operator AC 160 / GEE002SBN0G00
 Unlocking system with leverage for underground gate operator AC-170 / GEE003SBN0G00	 360° opening set AC 180 / GEE360ASN0G00 AC 185 / GEE360ASN0G01 (for motors post 2017)			

CONTROL ACCESSORIES from page 208 to 243

 Control unit QUAD-24V-HP / GQUADHP2LOG00 QUAD-230V-HP / GQUADHP2HOG00	 Control unit QUAD-24V-1M / GQUADST1LOG00 QUAD-230V-1M / GQUADST1HOG00	 Control unit QUAD-24V-2M / GQUADST2LOG00 QUAD-230V-2M / GQUADST2HOG00	
 Battery kit AC 50 / GBATTERYLOG00	 Horizontal 12V electric lock AC 10 / GINDEXPRMOG00	 Vertical 12V electric lock AC 20 / GINDEXPRMOG00	 Limit switch set for underground gate AC 190 / GEE001FNOG00

SAFETY ACCESSORIES from page 244 to 251

 Flashing signal lights SWIFT YELLOW / GSWIFSTLYB00 SWIFT WHITE / GSWIFSTLWB00	 Photocells DART / GDARTSTDNOB00	 Photocells slim DART SLIM / GDARTSLMNOB00	 Adjustable photocells DART ADJUSTABLE / GDARTADJNOB00	 Signage table AC 40 / GSAFETYNOG00
---	--	--	--	---

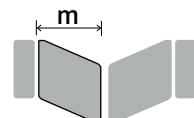


Swing gates

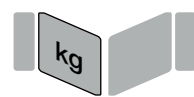
EAGLE ONE KIT

ONE TECHNOLOGY

The kits contain all the parts and equipment you need to make set up and connection as easy as possible. Instruction manuals and technical information are available on our website at www.comunello.com. We also offer our service to provide expert technical support by phone. The actuator range is in compliance with CE directive (EMC, LVD, and R&TTE) and successive amendments.



up to 3,5 m / 350 kg



up to 600 kg / 2 m

ARTICLE	CODE	MOTOR CODE	DESCRIPTION	PACKAGE	WEIGHT	PALETTE
KIT EAGLE ONE	GK1E035ELG000	EAGLE ONE / G1E0350EL0G27	Eagle One 24V Kit for swing gates	1 kit	54,7 kg	16

EAGLE ONE KIT CONTENTS



EAGLE ONE

2 Motors Eagle One



AC-170

2 Unlocking system with leverage



QUAD ONE 24V 2M

Control unit



DART ONE

Photocells



KEEP 2 RC

2 Remote controls 2 channels



SWIFT Y ONE

Flashing signal light



AC 40

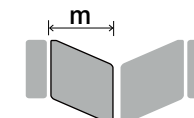
Signage table



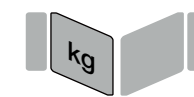
Setup with ONE technology needs wi-fi key K-ONE, not included in the kit



EAGLE KIT



up to 3,5 m / 350 kg



up to 600 kg / 2 m

The kits contain all the parts and equipment you need to make set up and connection as easy as possible. Instruction manuals and technical information are available on our website at www.comunello.com. We also offer our service to provide expert technical support by phone. The actuator range is in compliance with CE directive (EMC, LVD, and R&TTE) and successive amendments.

ARTICLE	CODE	MOTOR CODE	DESCRIPTION	PACKAGE	WEIGHT	PALETTE
KIT EAGLE 24V	GKEE0350LG027	EAGLE 24V / GEE03500LOG00	Eagle 24V Kit for swing gates	1 kit	54,7 kg	16
KIT EAGLE 230V	GKEE0350HG027	EAGLE 230V / GEE03500HOG00	Eagle 230V Kit for swing gates	1 kit	54,3 kg	16

EAGLE KIT CONTENTS



EAGLE 24V/230V

2 Motors Eagle



AC-170

2 Unlocking system with leverage



QUAD 24V 2M / QUAD 230V 2M

Control unit



INDEX

Key-operated switch



KEEP 2 RC

2 Remote control 2 channels



DART

Photocells



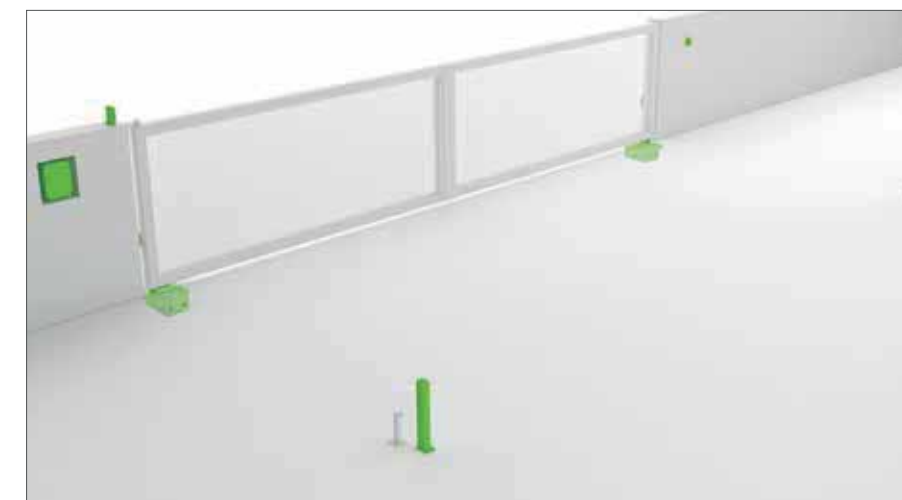
SWIFT Y

Flashing signal light



AC 40

Signage table





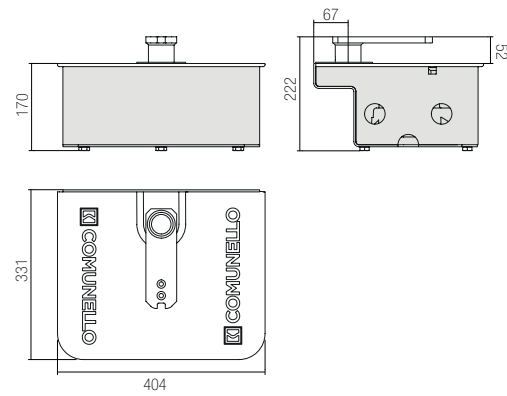
Swing gates

EE BOX



Foundation box cataphoresis, arm kit included

ARTICLE	CODE	DESCRIPTION	PACKAGE	WEIGHT	PALETTE
EAGLE BOX	GEE000BXN0B00	Foundation box cataphoresis	1 pcs.	10,8 kg	60
EAGLE BOX INOX	GEE000BXNIS00	Foundation box s/steel	1 pcs.	11,5 kg	60



Accessories included





ABACUS 220 / 300 / 500

For leaves up to 2,20 m (Max leaf weight: 200 kg). For leaves up to 300 kg, max leaf length is 1,2 m
For leaves up to 3 m (Max leaf weight: 300 kg). For leaves up to 500 kg, max leaf length is 1,5 m
For leaves up to 5 m (Max leaf weight: 220 kg). For leaves up to 500 kg, max leaf length is 2 m



Electromechanical rod actuators ideal for residential and industrial swing gates

Products in the Abacus line have a one-piece aluminium housing for the mechanical parts and motors which guarantees durability and security. These products are designed to be long-lasting and perform to the highest

standards in all weathers and are built to provide optimum security and reliability. The internal gearing is made from innovative materials for quiet movement. Abacus products are simple to install and maintain.

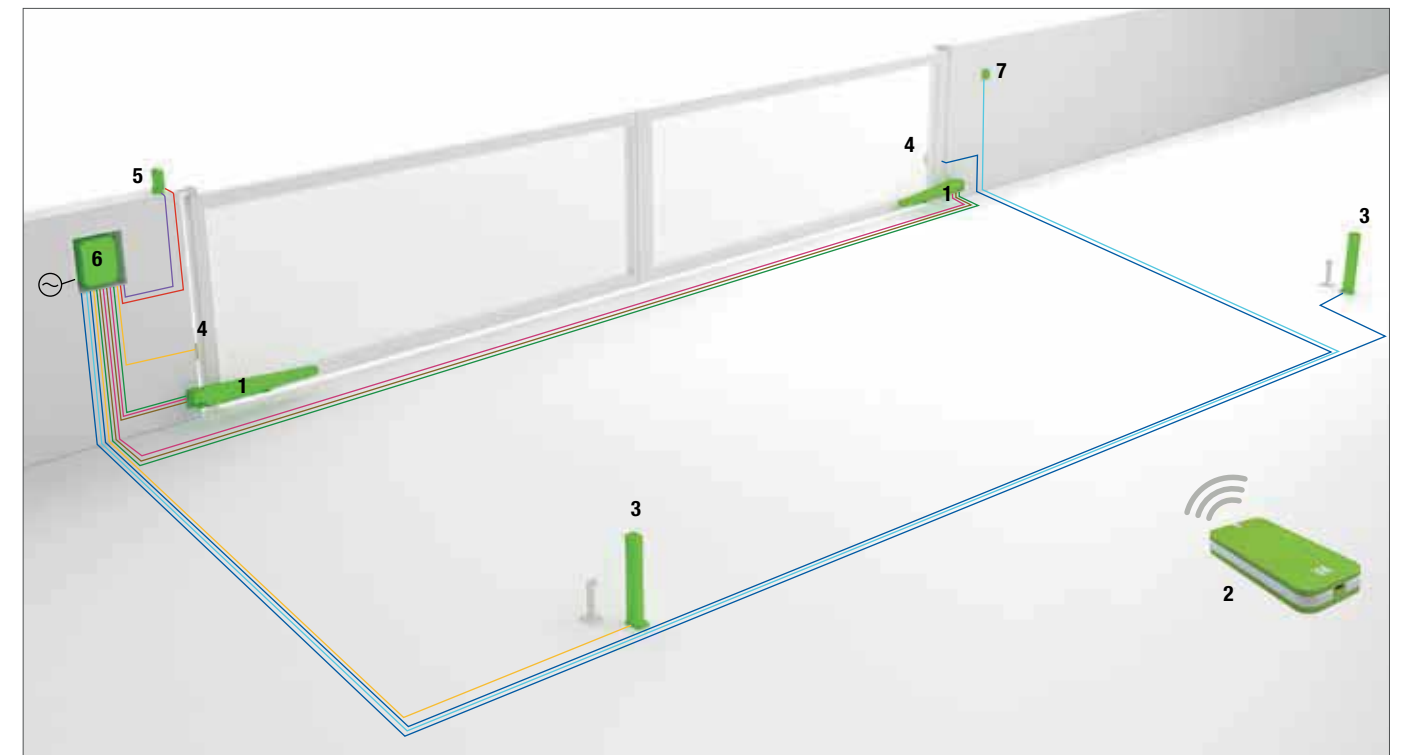


GENERAL INFORMATION

- **24 VDC and 230 VAC versions.**
24 VDC and 230 VAC versions.
- **Durability**
Polyester coated monoblock aluminium casing for maximum durability in all weather conditions
- **Safety and Reliability**
Metal lever - operated emergency release. Protected, easy-to-reach electrical connections
- **Versions with encoder and limit switch**
- **Easy to install**
Easy to install and maintain. Built-in condensor for the 230 Vac version
- **Available in kit form**



INSTALLATION CHART



- 1 ABACUS 220 / 300 / 500
- 2 RADIO CONTROL
- 3 COLUMNS
- 4 PHOTOCELLS
- 5 SIGNAL LIGHT
- 6 CONTROL UNIT
- 7 SWITCH

24V	DESCRIPTION	Wire	Length (1 m / 20 m)	Length (20 m / 50 m)
—	Power supply		2 x 1,5 mm ²	2 x 2,5 mm ²
—	Operating power supply		2 x 2,5 mm ²	2 x 4,0 mm ²
—	Flashing signal lights		2 x 0,5 mm ²	2 x 1,0 mm ²
—	Photocell TX	FROR CBI 20-22 CBI	2 x 0,5 mm ²	2 x 1,0 mm ²
—	Photocell RX	EN 50267-2-1	4 x 0,5 mm ²	4 x 1,0 mm ²
—	Key operated switch		3 x 0,5 mm ²	3 x 1,0 mm ²
—	Limit switch		3 x 0,5 mm ²	3 x 1,0 mm ²
—	Encoder		3 x 0,5 mm ²	3 x 1,0 mm ²
—	Antenna	RG58	max 20 m	max 20 m

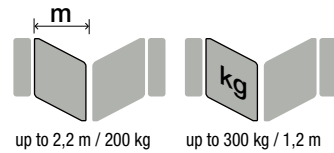
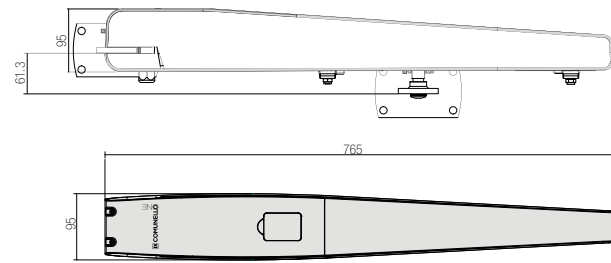
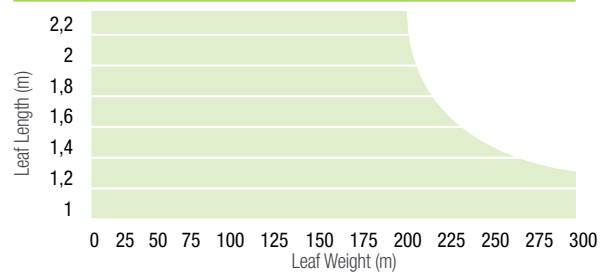
230V	DESCRIPTION	Wire	Length (1 m / 20 m)	Length (20 m / 50 m)
—	Power supply		3G x 1,5 mm ²	3G x 2,5 mm ²
—	Operating power supply		4G x 1,5 mm ²	4G x 2,5 mm ²
—	Flashing signal lights		2 x 0,5 mm ²	2 x 1,0 mm ²
—	Photocell TX	FROR CBI 20-22 CBI	2 x 0,5 mm ²	2 x 1,0 mm ²
—	Photocell RX	EN 50267-2-1	4 x 0,5 mm ²	4 x 1,0 mm ²
—	Key operated switch		3 x 0,5 mm ²	3 x 1,0 mm ²
—	Limit switch		3 x 0,5 mm ²	3 x 1,0 mm ²
—	Encoder		3 x 0,5 mm ²	3 x 1,0 mm ²
—	Antenna	RG58	max 20 m	max 20 m

ABACUS 220 ONE

For leaves up to 2,20 m (Max leaf weight: 200 kg). For leaves up to 300 kg, max leaf length is 1,2 m

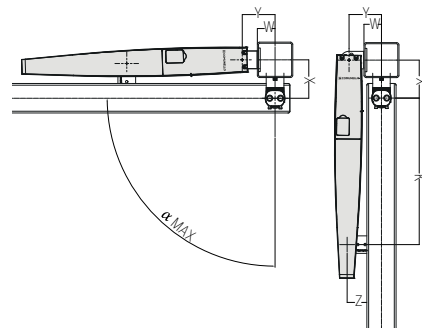


OPERATING LIMITS



		AS220														
		80		100		120		140		160		180		200		
Y	X	K	Z	K	Z	K	Z	K	Z	K	Z	K	Z	K	Z	
		α_{max}	C_0	α_{max}	C_0	α_{max}	C_0	α_{max}	C_0	α_{max}	C_0	α_{max}	C_0	α_{max}	C_0	
100	568	55	548	60	528	65	508	75	488	85	468	95	448	110	98°	648,5
	98°	648,5	107°	648,5	115°	648,5	118°	648,5	103°	648,5	95°	648,5	90°	648,5		
120	567	60	549	65	529	75	509	85	489	90	469	105	97°	649	105°	649
	97°	649	112°	649	106°	649	96°	649	90°	649						
140	566	65	546	70	526	80	506	90	488	100	96°	649	104°	649	110°	649
	96°	649	110°	649	95°	649	89°	649								
160	564	70	546	75	527	85	508	95	95°	649	102°	649	95°	649	88°	649
	95°	649	88°	649												
180	564	75	544	85	526	95	95°	649	96°	649	87°	649				
	95°	649	87°	649												

AC 80
AC 85



ONE TECHNOLOGY

ARTICLE	CODE	DESCRIPTION	PACKAGE	WEIGHT	PALETTE
ABACUS 220 24V ONE	G1A220MEL0B00	24V with mechanical stops and encoder	1 pcs.	8 kg	64



INSTALLATION CHART

- 2 ABACUS 220 24V ONE - G1A220MEL0B00**
24V with mechanical stops and encoder
- 1 QUAD 2M ONE - G1QUAD2MLOG00**
Control unit for 2 motors 24V Basic
- 1 KEEP 2 RC - GKEEP2STNOB00**
2 Channels rolling code Remote control
- 2 MAST 50 - GMAST005NOG00**
Extruded aluminium column h 50 cm
- 2 DART ONE - G1DARTSTNOB00**
Photocells DART RX+TX ONE
- 1 SWIFT ONE - G1SWIFTSTYB00**
Flashing signal light
- 1 INDEX ONE - G1INDEXST0B00**
Key operated switch
- 1 AC-51 - G1BATTERLOG00**
Battery kit

TECHNICAL CHARACTERISTICS

Electrical information	AS220 24V ONE
Power supply	24 VDC
Power consumption	70 W
Current input	3 A
Maximum thrust	1500 N
Nominal thrust	500 N
Duty cycle	intensive use
Protection rating (IP)	IP44
Insulation class	2
Working temperature	-20°C / +50°C
No-load speed	18 mm/s
Weight	8 kg

ABACUS 220 ONE

ACCESSORIES from page 186 a 187

<p>Wi-fi key ONE can be used for all ONE settings (one key for one installer)</p> <p>Wi-fi connection key K-ONE / G1KEYWIFLOG00</p>	<p>Outdoor antenna AC 30 / GANTENANOG00</p>	<p>Galvanized rear bracket to screw AC 70 / GAS002ASNOG00</p>	<p>Galvanized rear long bracket AC 80 / GAS003ASNOG00</p>	<p>Galvanized adjustable front bracket AC 85 / GAS004ASNOG00</p>
---	---	---	---	--

CONTROL ACCESSORIES from page 208 a 243

<p>Control unit QUAD-1M-ONE / G1QUAD1MLOG00</p>	<p>Control unit QUAD-2M-ONE / G1QUAD2MLOG00</p>	<p>Battery kit AC 51 / G1BATTERLOG00</p>	<p>Horizontal 12V electric lock AC 10 / GINDEXRMOG00</p>	<p>Vertical 12V electric lock AC 20 / GINDEXVMOG00</p>	<p>Kit 5 Remote control, rolling code 2 ch. KITVICTOR / GVCTR2STN6C00</p>	<p>Remote control, rolling code 2 ch. KEEP 2 RC W / GKEEP2STNOW00 KEEP 2 RC B / GKEEP2STNOB00</p>	<p>Remote control, rolling code 4 ch. KEEP 4 RC W / GKEEP4STNOW00 KEEP 4 RC B / GKEEP4STNOB00</p>	<p>Key operated switch INDEX ONE / G1INDEXST0B00</p>	<p>Digital switch with keypad TACT / GTACTSTDN0B00</p>
<p>Flashing signal light SWIFT ONE YELLOW / G1SWIFTSTYB00 SWIFT ONE WHITE / G1SWIFTSTMB00</p>	<p>Photocells DART ONE / G1DARTSTNOB00</p>	<p>Photocells slim DART SLIM ONE / G1DARTSLNOB00</p>	<p>Adjustable photocells DART ADJUSTABLE ONE G1DARTADNOB00</p>	<p>Signage table AC 40 / GSAFETYNOG00</p>					



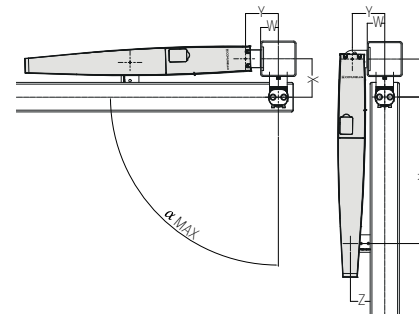
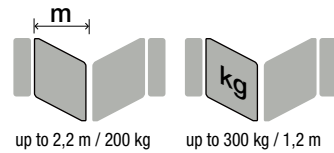
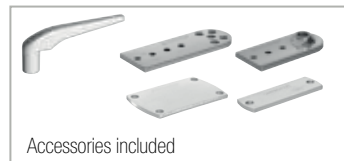
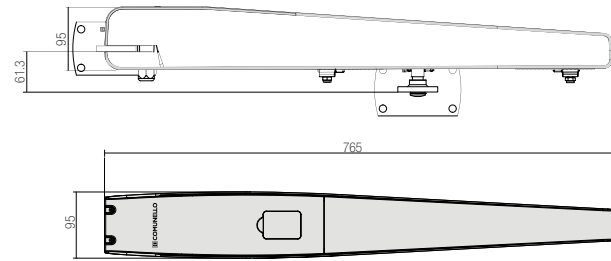
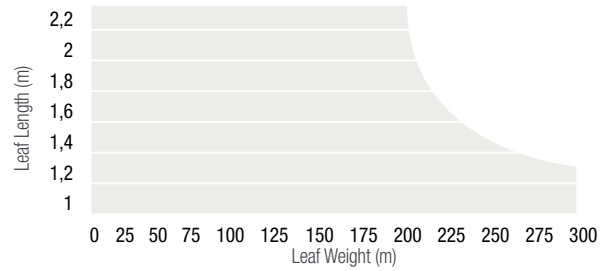
Swing gates

ABACUS 220

For leaves up to 2,20 m (Max leaf weight: 200 kg). For leaves up to 300 kg, max leaf length is 1,2 m



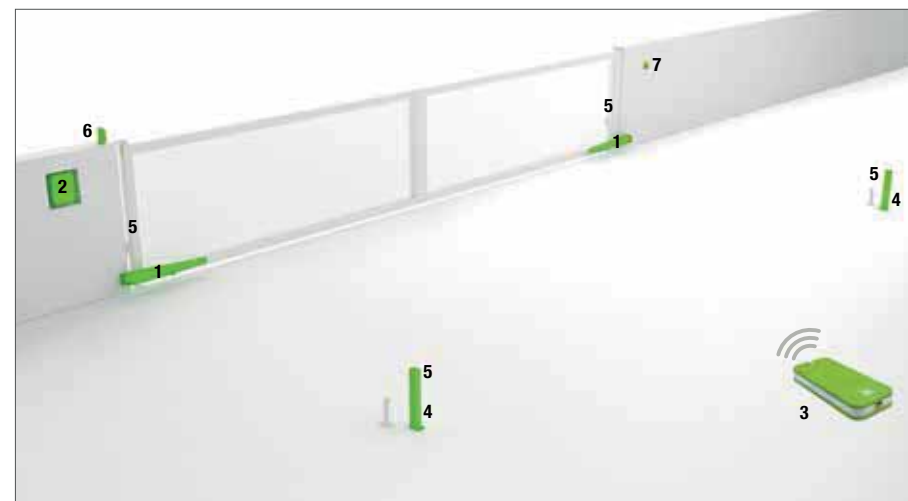
OPERATING LIMITS



		AS220													
		80		100		120		140		160		180		200	
Y	X	K	Z	K	Z	K	Z	K	Z	K	Z	K	Z	K	Z
		α_{max}	C_0	α_{max}	C_0	α_{max}	C_0	α_{max}	C_0	α_{max}	C_0	α_{max}	C_0	α_{max}	C_0
100	568	55	548	60	528	65	508	75	488	85	468	95	448	110	428
	98°	648,5	107°	648,5	115°	648,5	118°	648,5	103°	648,5	95°	648,5	90°	648,5	90°
120	567	60	549	65	529	75	509	85	489	90	469	105	449	110	429
	97°	649	105°	649	112°	649	106°	649	96°	649	90°	649	90°	649	90°
140	566	65	546	70	526	80	506	90	488	100	468	110	448	110	428
	96°	649	104°	649	110°	649	95°	649	89°	649	90°	649	90°	649	90°
160	564	70	546	75	527	85	508	95	488	105	468	115	448	115	428
	95°	649	102°	649	95°	649	88°	649	90°	649	90°	649	90°	649	90°
180	564	75	544	85	526	95	508	105	488	115	468	125	448	125	428
	95°	649	96°	649	87°	649	90°	649	90°	649	90°	649	90°	649	90°

AC 80
AC 85

ARTICLE	CODE	DESCRIPTION	PACKAGE	WEIGHT	PALETTE
ABACUS 220 24V FM	GAS220MOL0B00	24V with mechanical stops	1 pcs.	8 kg	64
ABACUS 220 24V FE	GAS220EOL0B00	24V with electronic limit switches	1 pcs.	8 kg	64
ABACUS 220 24V FE E	GAS220EEL0B00	24V with encoder and electronic limit switches	1 pcs.	8 kg	64
ABACUS 220 230V FM	GAS220MOH0B00	230V with mechanical stops	1 pcs.	8,6 kg	64
ABACUS 220 230V FM E	GAS220MEH0B00	230V with mechanical stops and encoder	1 pcs.	8,6 kg	64



INSTALLATION CHART

- 2 ABACUS 220 24V FE E - GAS220EEL0B00**
24V with encoder and electronic limit switches
- 1 QUAD 24V HP - GQUADHP2LOG00**
Control unit for 1/2 motors 24V HP
- 1 KEEP 2 RC - GKEEP2STNOB00**
2 Channels rolling code Remote control
- 2 MAST 50 - GMAST005NOG00**
Extruded aluminium column h 50 cm
- 2 DART - GDARTSTDNOB00**
Photocells
- 1 SWIFT - GSWIFTSTLYB00**
Flashing signal light
- 1 INDEX - GINDEXSTNOB00**
Key operated switch
- 1 AC-50 - GBATTERYLOG00**
Battery kit

TECHNICAL CHARACTERISTICS

Electrical information	AS220 24V FM	AS220 24V FE	AS220 24V FE E	AS220 230V FM	AS220 230V FM E
Power supply	24 VDC	24 VDC	24 VDC	230 VAC	230 VAC
Power consumption	70 W	70 W	70 W	180 W	180 W
Current input	3 A	3 A	3 A	0,8 A	0,8 A
Maximum thrust	1500 N	1500 N	1400 N	1400 N	1400 N
Nominal thrust	500 N	500 N	400 N	400 N	400 N
Duty cycle	intensive use	intensive use	intensive use	50%	50%
Protection rating (IP)	IP44	IP44	IP44	IP44	IP44
Insulation class	2	2	2	1 (earthing)	1 (earthing)
Working temperature	-20°C / +50°C	-20°C / +50°C	-20°C / +50°C	-20°C / +50°C	-20°C / +50°C
No-load speed	18 mm/s	18 mm/s	18 mm/s	16 mm/s	16 mm/s
Weight	8 kg	8 kg	8 kg	8,6 kg	8,6 kg

ABACUS 220

ACCESSORIES from page 186 a 187

 Outdoor antenna AC 30 / GANTENNANOG00	 Galvanized rear bracket to screw AC 70 / GAS002ASNOG00	 Galvanized rear long bracket AC 80 / GAS003ASNOG00	 Galvanized adjustable front bracket AC 85 / GAS004ASNOG00
---	--	--	---

CONTROL ACCESSORIES from page 208 a 243

 Control unit QUAD-24V-HP / GQUADHP2LOG00 QUAD-230V-HP / GQUADHP2HOG00	 Control unit QUAD-24V-1M / GQUADST1LOG00 QUAD-230V-1M / GQUADST1HOG00	 Control unit QUAD-24V-2M / GQUADST2LOG00 QUAD-230V-2M / GQUADST2HOG00		
 Battery kit AC 50 / GBATTERYLOG00	 Horizontal 12V electric lock AC 10 / GINDEXORMOG00	 Vertical 12V electric lock AC 20 / GINDEXVRM0G00		
 Kit 5 Remote control, rolling code 2 ch. KITVICTOR / GVCTR2STN6C00	 Remote control, rolling code 2 ch. KEEP 2 RC W / GKEEP2STNOW00 KEEP 2 RC B / GKEEP2STNOB00	 Remote control, rolling code 4 ch. KEEP 4 RC W / GKEEP4STNOW00 KEEP 4 RC B / GKEEP4STNOB00	 Key operated switch INDEX / GINDEXSTNOB00	 Digital switch with keypad TACT / GTACTSTNOB00

SAFETY ACCESSORIES from page 244 a 251

 Flashing signal light SWIFT YELLOW / GSWIFTSTLYB00 SWIFT WHITE / GSWIFTSTLWB00	 Photocells DART / GDARTSTDNOB00	 Photocells slim DART SLIM / GDARTSLMNOB00	 Adjustable photocells DART ADJUSTABLE / GDARTADJNOB00	 Signage table AC 40 / GSAFETYNOG00
---	---	---	---	--

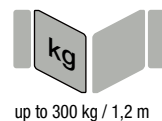
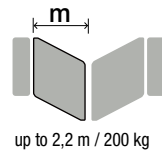


Swing gates

ABACUS 220 ONE KIT

ONE TECHNOLOGY

The kits contain all the parts and equipment you need to make set up and connection as easy as possible. Instruction manuals and technical information are available on our website at www.comunello.com. We also offer our service to provide expert technical support by phone. The actuator range is in compliance with CE directive (EMC, LVD, and R&TTE) and successive amendments.



ARTICLE	CODE	MOTOR CODE	DESCRIPTION	PACKAGE	WEIGHT	PALETTE
KIT ABACUS 220 ONE	GK1A220MLB000	ABACUS 220 24V ONE / G1A220MEL0B00	Kit Abacus One 24V for swing leaves	1 kit	22 kg	16

ABACUS 220 ONE KIT CONTENTS



ABACUS 220 ONE
2 MOTORS ABACUS 220 ONE



QUAD ONE 24V 2M
Control unit



KEEP 2 RC
2 radio control unit 2ch.



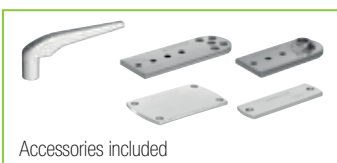
DART ONE
Photocells



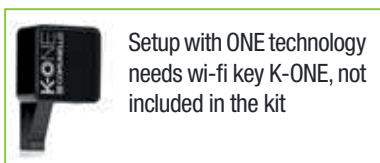
SWIFT-Y ONE
Flashing signal lights



AC 40
Signage table



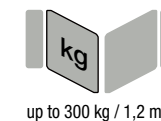
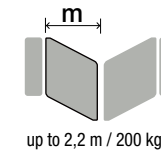
Accessories included



Setup with ONE technology needs wi-fi key K-ONE, not included in the kit



ABACUS 220 KIT



The kits contain all the parts and equipment you need to make set up and connection as easy as possible. Instruction manuals and technical information are available on our website at www.comunello.com. We also offer our service to provide expert technical support by phone. The actuator range is in compliance with CE directive (EMC, LVD, and R&TTE) and successive amendments.

ARTICLE	CODE	MOTOR CODE	DESCRIPTION	PACKAGE	WEIGHT	PALETTE
KIT ABACUS 220 24V	GKAS220MLB000	ABACUS 220 24V FM / GAS220MQL0B00	Kit Abacus 24V for swing leaves	1 kit	22 kg	16
KIT ABACUS 220 230V	GKAS220MHB000	ABACUS 220 230V FM / GAS220M0H0B00	Kit Abacus 230V for swing leaves	1 kit	22,2 kg	16

ABACUS 220 KIT CONTENTS



ABACUS 220
2 MOTORS ABACUS 220



QUAD 24V 2M / QUAD 230V 2M
Control unit



INDEX
Key operated switch



KEEP 2 RC
2 ch. radio control unit



DART
Photocells



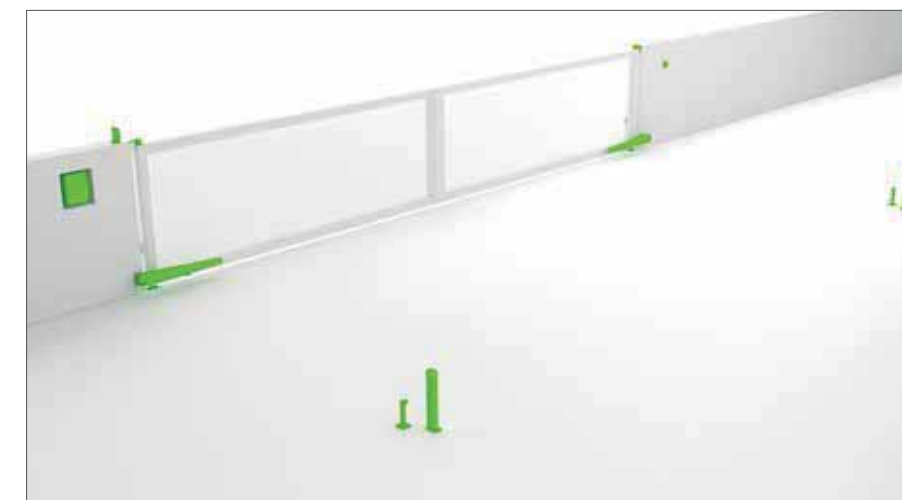
SWIFT-Y
Flashing signal lights



AC 40
Signage table



Accessories included



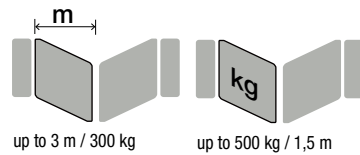
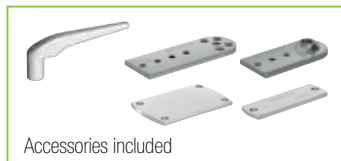
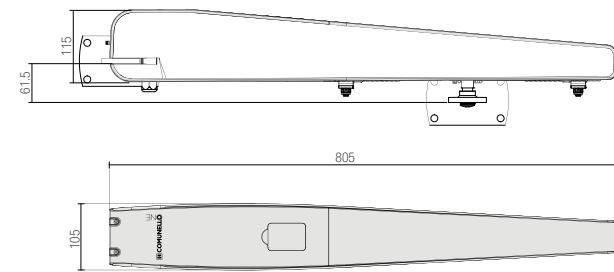
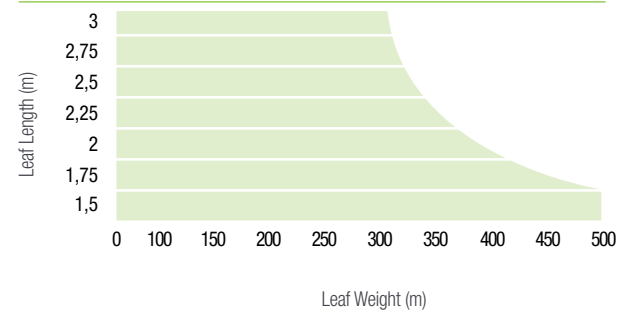


ABACUS 300 ONE

For leaves up to 3 m (Max leaf weight: 300 kg). For leaves up to 500 kg, max leaf length is 1,5 m

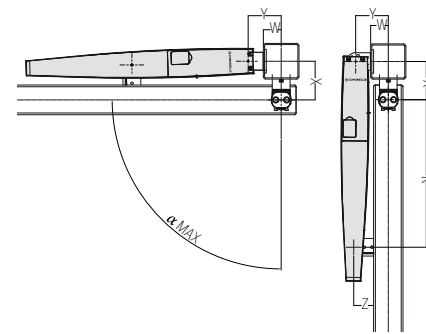


OPERATING LIMITS



		AS300														
		80		100		120		140		160		180		200		
Y	K α_{max}	Z C ₀	K α_{max}	Z C ₀	K α_{max}	Z C ₀	K α_{max}	Z C ₀	K α_{max}	Z C ₀	K α_{max}	Z C ₀	K α_{max}	Z C ₀	K α_{max}	Z C ₀
120	608 95°	75 688	588 104°	70 688	568 110°	70 688	548 105°	75 688	528 95°	85 688	508 90°	102,5 688				
140	607 95°	65 688	586 105°	65 688	567 110°	75 688	547 96°	80 688	529 90°							
160	605 94°	70 688	584 100°	75 688	566 95°	80 688										

■ NOT SUGGESTED



ONE TECHNOLOGY

ARTICLE	CODE	DESCRIPTION	PACKAGE	WEIGHT	PALETTE
■ ABACUS 300 24V ONE	G1A300MELOB00	24V with mechanical stops and encoder	1 pcs.	10,1 kg	45



INSTALLATION CHART

- 2 ABACUS 300 24V ONE** - G1A300MELOB00
24V with mechanical stops and encoder
- 1 QUAD 2M ONE** - G1QUAD2MLOG00
Control unit for 2 motors 24V Basic
- 1 KEEP 2 RC** - GKEEP2STNOB00
2 Channels rolling code Remote control
- 2 MAST 50** - GMAST005NOG00
Extruded aluminium column h 50 cm
- 2 DART ONE** - G1DARTSTNOB00
Photocells DART RX+TX ONE
- 1 SWIFT ONE** - G1SWIFTSTYB00
Flashing signal light
- 1 INDEX ONE** - G1INDEXSTOB00
Key operated switch
- 1 AC-51** - G1BATTERLOG00
Battery kit

TECHNICAL CHARACTERISTICS

Electrical information	AS300 24V ONE
Power supply	24VDC
Power consumption	110 W
Current input	5 A
Maximum thrust	1800 N
Nominal thrust	600 N
Duty cycle	intensive use
Protection rating (IP)	IP44
Insulation class	2
Working temperature	-20°C / +50°C
No-load speed	21 mm/s
Weight	10,2 kg

ABACUS 300 ONE

ACCESSORIES from page 186 a 187

 Wi-fi key ONE can be used for all ONE settings (one key for one installer) Wi-fi connection key K-ONE / G1KEYWIFLOG00	 Outdoor antenna AC 30 / GANTENANNOG00	 Galvanized rear bracket to screw AC 70 / GAS002ASN0G00	 Galvanized rear long bracket AC 80 / GAS003ASN0G00	 Galvanized adjustable front bracket AC 85 / GAS004ASN0G00
--	--	---	---	--

CONTROL ACCESSORIES from page 208 a 243

 Control unit QUAD-1M-ONE / G1QUAD1MLOG00	 Control unit QUAD-2M-ONE / G1QUAD2MLOG00	 Battery kit AC 51 / G1BATTERLOG00	 Horizontal 12V electric lock AC 10 / GINDEXORMOG00	 Vertical 12V electric lock AC 20 / GINDEXVRM0G00
 Kit 5 Remote control, rolling code 2 ch. KIT VICTOR / GVCTR2STN6C00	 Remote control, rolling code 2 ch. KEEP 2 RC W / GKEEP2STNOW00 KEEP 2 RC B / GKEEP2STNOB00	 Remote control, rolling code 4 ch. KEEP 4 RC W / GKEEP4STNOW00 KEEP 4 RC B / GKEEP4STNOB00	 Key operated switch INDEX ONE / G1INDEXSTOB00	 Digital switch with keypad TACT / GTACTSTDN0B00

SAFETY ACCESSORIES from page 244 a 251

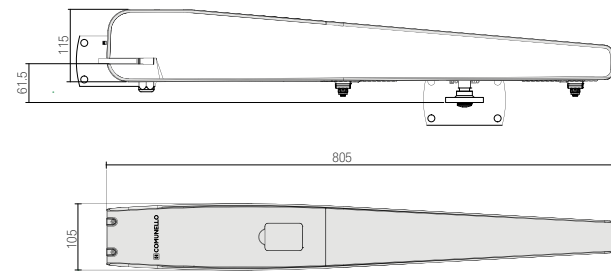
 Flashing signal light SWIFT ONE YELLOW / G1SWIFTSTYB00 SWIFT ONE WHITE / G1SWIFTSTYWB00	 Photocells DART ONE / G1DARTSTNOB00	 Photocells slim DART SLIM ONE / G1DARTSLNOB00	 Adjustable photocells DART ADJUSTABLE ONE G1DARTADNOB00	 Signage table AC 40 / GSAFETYNOG00
---	--	--	---	---



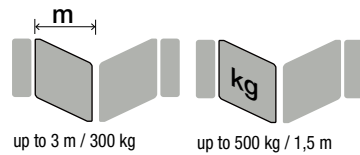
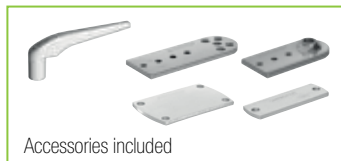
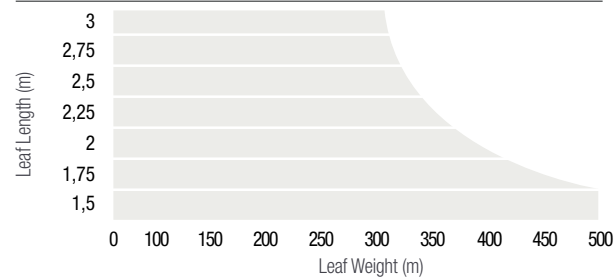
Swing gates

ABACUS 300

For leaves up to 3 m (Max leaf weight: 300 kg). For leaves up to 500 kg, max leaf length is 1,5 m

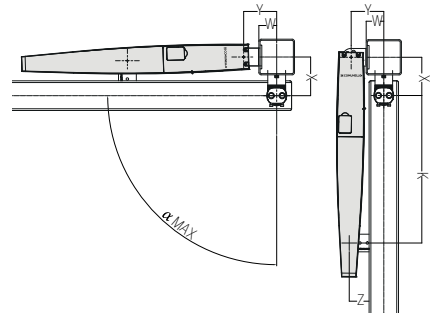


OPERATING LIMITS

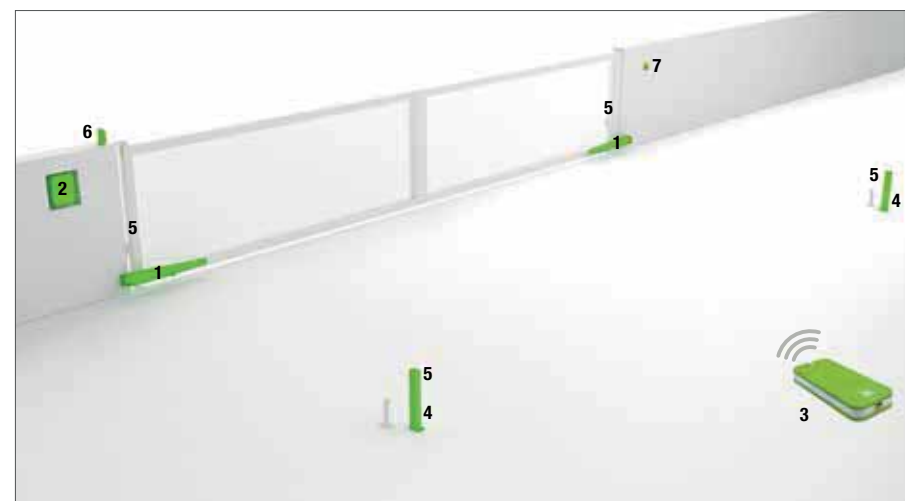


		AS300														
		80		100		120		140		160		180		200		
Y	K α_{max}	Z C ₀	K α_{max}	Z C ₀	K α_{max}	Z C ₀	K α_{max}	Z C ₀	K α_{max}	Z C ₀	K α_{max}	Z C ₀	K α_{max}	Z C ₀	K α_{max}	Z C ₀
120	608 95°	75 688	588 104°	70 688	568 110°	70 688	548 105°	75 688	528 95°	85 688	508 90°	102,5 688				
140	607 95°	65 688	586 105°	65 688	567 110°	75 688	547 96°	80 688	529 90°							
160	605 94°	70 688	584 100°	75 688	566 95°	80 688										

■ NOT SUGGESTED



ARTICLE	CODE	DESCRIPTION	PACKAGE	WEIGHT	PALETTE
■ ABACUS 300 24V FM	GAS300MOL0B00	24V with mechanical stops	1 pcs.	10,1 kg	45
■ ABACUS 300 24V FE	GAS300EOL0B00	24V with electronic limit switches	1 pcs.	10,1 kg	45
■ ABACUS 300 230V FM	GAS300MOH0B00	230V with mechanical stops	1 pcs.	10,7 kg	45
■ ABACUS 300 230V FE	GAS300EOH0B00	230V with electronic limit switches	1 pcs.	10,7 kg	45
■ ABACUS 300 230V FM E	GAS300MEH0B00	230V with mechanical stops and encoder	1 pcs.	10,7 kg	45



INSTALLATION CHART

- 2 ABACUS 300 24V FM - GAS300MOL0B00
24V with mechanical stops
- 1 QUAD 24V HP - GQUADHP2LOG00
Control unit for 1/2 motors 24V HP
- 1 KEEP 2 RC - GKEEP2STNOB00
2 Channels rolling code Remote control
- 2 MAST 50 - GMAST005NOG00
Extruded aluminium column h 50 cm
- 2 DART - GDARTSTDNOB00
Photocells
- 1 SWIFT - GSWIFTSTLYB00
Flashing signal light
- 1 INDEX - GINDEXSTNOB00
Key operated switch
- 1 AC-50 - GBATTERYLOG00
Battery kit

TECHNICAL CHARACTERISTICS

Electrical information	AS300 24V FM	AS300 24V FE	AS300 230V FM	AS300 230V FE	AS300 230V FM E
Power supply	24 VDC	24 VDC	230 VAC	230 VAC	230 VAC
Power consumption	110 W	110 W	280 W	280 W	280 W
Current input	5 A	5 A	1,2 A	1,2 A	1,2 A
Maximum thrust	1800 N	1800 N	2000 N	2000 N	2000 N
Nominal thrust	600 N	600 N	700 N	700 N	700 N
Duty cycle	intensive use	intensive use	50%	50%	50%
Protection rating (IP)	IP44	IP44	IP44	IP44	IP44
Insulation class	2	2	1 (earthing)	1 (earthing)	1 (earthing)
Working temperature	-20°C / +50°C	-20°C / +50°C	-20°C / +50°C	-20°C / +50°C	-20°C / +50°C
No-load speed	21 mm/s	21 mm/s	16 mm/s	16 mm/s	16 mm/s
Weight	10,2 kg	10,2 kg	10,7 kg	10,7 kg	10,7 kg

ABACUS 300

ACCESSORIES from page 186 a 187



CONTROL ACCESSORIES from page 208 a 243



SAFETY ACCESSORIES from page 244 a 251



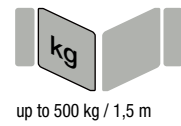
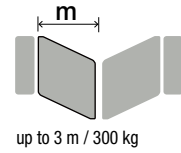


Swing gates

ABACUS 300 ONE KIT

ONE TECHNOLOGY

The kits contain all the parts and equipment you need to make set up and connection as easy as possible. Instruction manuals and technical information are available on our website at www.comunello.com. We also offer our service to provide expert technical support by phone. The actuator range is in compliance with CE directive (EMC, LVD, and R&TTE) and successive amendments.



ARTICLE	CODE	MOTOR CODE	DESCRIPTION	PACKAGE	WEIGHT	PALETTE
KIT ABACUS 300 ONE	GK1A300MLB000	ABACUS 300 24V ONE / G1A300MEL0B00	Kit Abacus One 24V for swing leaves	1 kit	26,2 kg	16

ABACUS 300 ONE KIT CONTENTS



ABACUS 300 ONE
2 MOTORS ABACUS 300 ONE



QUAD ONE 24V 2M
Control unit



KEEP 2 RC
2 radio control unit 2ch.



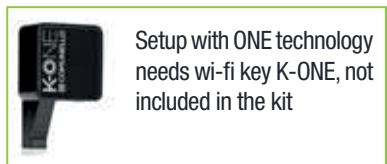
DART ONE
Photocells



SWIFT-Y ONE
Flashing signal lights

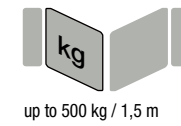
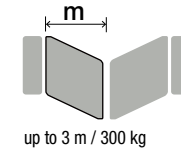


AC 40
Signage table



COMUNELLO AUTOMATION

ABACUS 300 KIT



The kits contain all the parts and equipment you need to make set up and connection as easy as possible. Instruction manuals and technical information are available on our website at www.comunello.com. We also offer our service to provide expert technical support by phone. The actuator range is in compliance with CE directive (EMC, LVD, and R&TTE) and successive amendment.

ARTICLE	CODE	MOTOR CODE	DESCRIPTION	PACKAGE	WEIGHT	PALETTE
KIT ABACUS 300 24V	GKAS300MLB000	ABACUS 300 24V FM / GAS300MOL0B00	Kit Abacus 24V for swing leaves	1 kit	26,2 kg	16
KIT ABACUS 300 230V	GKAS300MHB000	ABACUS 300 230V FM / GAS300MOH0B00	Kit Abacus 230V for swing leaves	1 kit	26,4 kg	16

ABACUS 300 KIT CONTENTS



ABACUS 300
2 MOTORS ABACUS 300



QUAD 24V 2M / QUAD 230V 2M
Control unit



INDEX
Key operated switch



KEEP 2 RC
2 ch. radio control unit



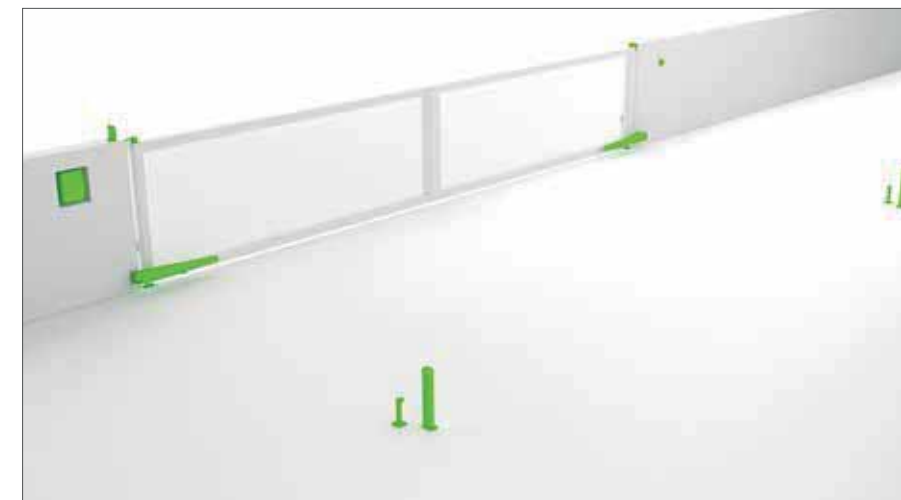
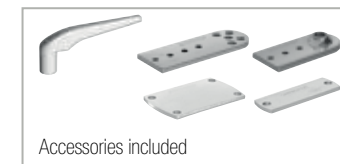
DART
Photocells



SWIFT-Y
Flashing signal lights



AC 40
Signage table



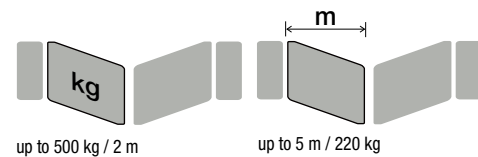
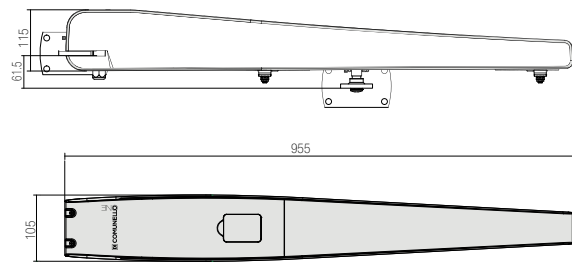
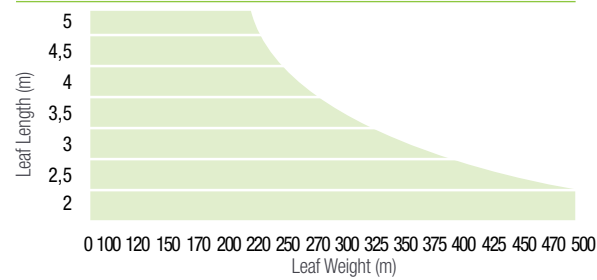
Swing gates

ABACUS 500 ONE

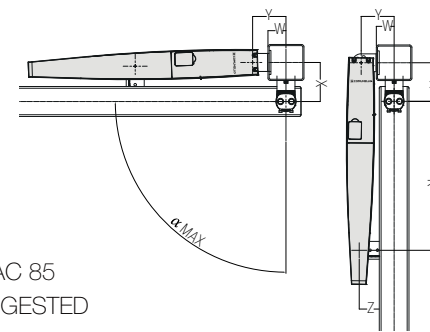
For leaves up to 5 m (Max leaf weight: 220 kg). For leaves up to 500 kg, max leaf length is 2 m



OPERATING LIMITS



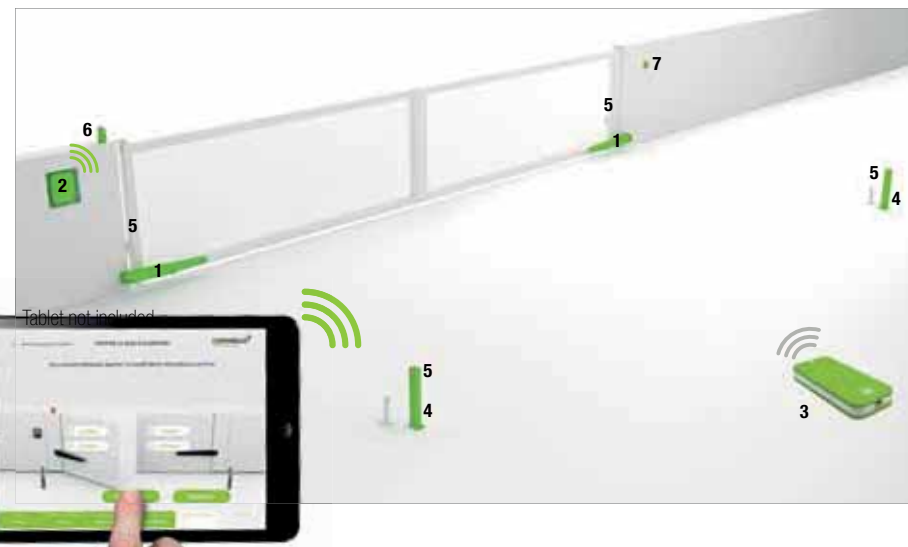
		AS500																				
		80		100		120		140		160		180		200		220		240		260		
Y	X	K _{max}	Z _{C0}	K _{max}	Z _{C0}	K _{max}	Z _{C0}	K _{max}	Z _{C0}	K _{max}	Z _{C0}	K _{max}	Z _{C0}	K _{max}	Z _{C0}	K _{max}	Z _{C0}	K _{max}	Z _{C0}	K _{max}	Z _{C0}	
		100	758	60	738	60	718	60	698	65	678	75	658	85	638	95	618	102,5	597	120	577	135
120	757	60	737	60	717	65	698	70	678	80	658	90	638	100	618	102,5	597	120	577	135	95°	838
140	756	65	736	60	716	75	696	80	676	85	656	90	636	102,5	617	102,5	596	125	576	140	94°	836
160	756	65	736	70	716	80	696	90	676	95	656	102,5	617	102,5	596	125	576	140	94°	836	93°	836
180	753	70	733	75	713	80	693	90	673	95	653	102,5	633	115	613	125	593	140	93°	838	93°	838
200	756	75	736	80	716	90	696	102,5	676	110	656	120	637	130	617	140	93°	838	93°	838	93°	838
220	748	80	728	90	708	100	688	110	673	115	653	120	633	130	613	140	93°	837	98°	837	93°	837
240	748	85	728	95	709	100	692	110	672	120	654	130	635	140	615	145	93°	838	98°	838	93°	838



- AC 85
- AC 80
- AC 80 + AC 85
- NOT SUGGESTED

ONE TECHNOLOGY

ARTICLE	CODE	DESCRIPTION	PACKAGE	WEIGHT	PALETTE
ABACUS 500 24V ONE	G1A500MELOB00	24V with mechanical stops and encoder	1 pcs.	10,7 kg	45



INSTALLATION CHART

- 1 **2 ABACUS 500 24V ONE** - G1A500MELOB00
24V with mechanical stops and encoder
- 2 **1 QUAD 2M ONE** - G1QUAD2MLOG00
Control unit for 2 motors 24V Basic
- 3 **1 KEEP 2 RC** - GKEEP2STNOB00
2 Channels rolling code Remote control
- 4 **2 MAST 50** - GMAST005NOG00
Extruded aluminium column h 50 cm
- 5 **2 DART ONE** - G1DARTSTNOB00
Photocells DART RX+TX ONE
- 6 **1 SWIFT ONE** - G1SWIFTSTYB00
Flashing signal light
- 7 **1 INDEX ONE** - G1INDEXSTOB00
Key operated switch
- 8 **1 AC-51** - G1BATTERLOG00
Battery kit

TECHNICAL CHARACTERISTICS

Electrical information	AS500 24V ONE
Power supply	24 VDC
Power consumption	110 W
Current input	5 A
Maximum thrust	1800 N
Nominal thrust	600 N
Duty cycle	intensive use
Protection rating (IP)	IP44
Insulation class	2
Working temperature	-20°C / +50°C
No-load speed	21 mm/s
Weight	10,7 kg

ABACUS 500 ONE

ACCESSORIES from page 186 a 187

Wi-fi key ONE can be used for all ONE settings (one key for one installer)

K-ONE / G1KEYWIFLOG00

Outdoor antenna

AC 30 / GANTENNANOG00

Galvanized rear bracket to screw

AC 70 / GAS002ASNOG00

Galvanized rear long bracket

AC 80 / GAS003ASNOG00

Galvanized adjustable front bracket

AC 85 / GAS004ASNOG00

CONTROL ACCESSORIES from page 208 a 243

Control unit
QUAD-1M-ONE / G1QUAD1MLOG00

Control unit
QUAD-2M-ONE / G1QUAD2MLOG00

Battery kit
AC 51 / G1BATTERLOG00

Horizontal 12V electric lock
AC 10 / GINDEXRMOG00

Vertical 12V electric lock
AC 20 / GINDEXVMOG00

Kit 5 Remote control, rolling code 2 ch.
KITVICTOR / GVCTR2STNEC00

Remote control, rolling code 2 ch.
KEEP 2 RC W / GKEEP2STNOW00
KEEP 2 RC B / GKEEP2STNOB00

Remote control, rolling code 4 ch.
KEEP 4 RC W / GKEEP4STNOW00
KEEP 4 RC B / GKEEP4STNOB00

Key operated switch
INDEX ONE / G1INDEXSTOB00

Digital switch with keypad
TACT / GTACTSTDN0B00

SAFETY ACCESSORIES from page 244 a 251

Flashing signal light
SWIFT ONE YELLOW / G1SWIFTSTYB00
SWIFT ONE WHITE / G1SWIFTSTYB00

Photocells
DART ONE / G1DARTSTNOB00

Photocells slim
DART SLIM ONE / G1DARTSLNOB00

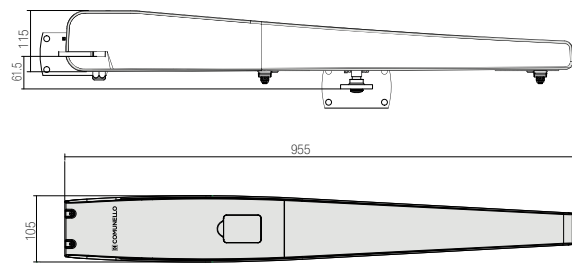
Adjustable photocells
DART ADJUSTABLE ONE
G1DARTADNOB00

Signage table
AC 40 / GSAFETYNOG00

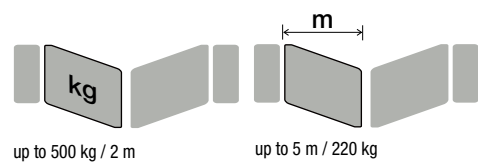
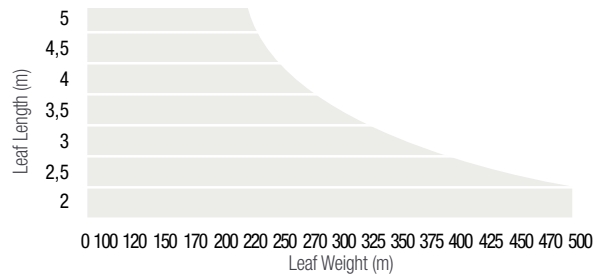


ABACUS 500

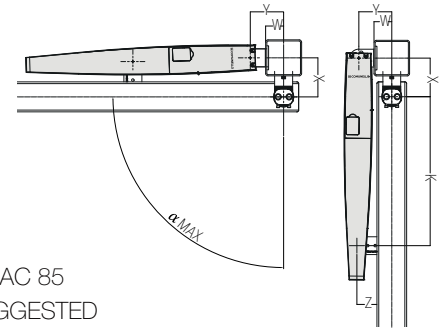
For leaves up to 5 m (Max leaf weight: 220 kg). For leaves up to 500 kg, max leaf length is 2 m



OPERATING LIMITS

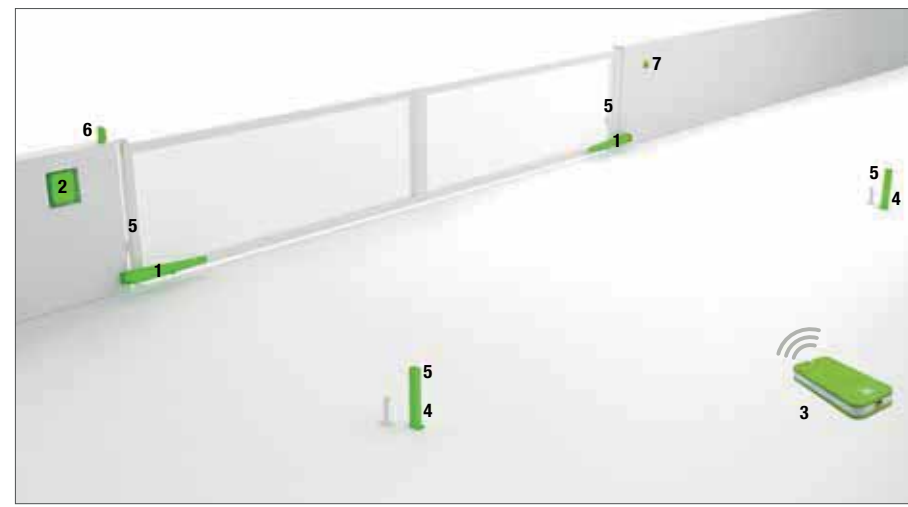


		ASS00																					
		80		100		120		140		160		180		200		220		240		260			
Y	X	K _a	Z _C	K _a	Z _C	K _a	Z _C	K _a	Z _C	K _a	Z _C	K _a	Z _C	K _a	Z _C	K _a	Z _C	K _a	Z _C	K _a	Z _C		
		100	758	60	738	60	718	60	698	65	678	75	658	85	638	95	618	102,5	597	120	577	135	95°
120	757	60	737	60	717	65	698	70	678	80	658	90	638	100	618	102,5	598	125	577	135	94°	837	
140	756	65	736	60	716	75	696	80	676	85	656	90	636	102,5	618	102,5	596	125	576	140	94°	836	
160	756	65	736	70	716	80	696	90	676	95	656	102,5	618	102,5	596	135	576	145	93°	836	100°	838	
180	753	70	733	75	713	80	693	90	673	95	653	102,5	633	115	613	125	593	140	93°	838	99°	838	
200	756	75	736	80	716	90	696	102,5	676	110	656	120	637	130	617	140	748	80	728	90	708	100	688
220	748	80	728	90	708	100	688	110	668	110	648	120	628	130	608	83°	837	98°	837	102°	837	107°	838
240	748	85	728	95	709	100	692	110	672	120	654	130	635	140	615	145	748	85	728	95	709	100	692



- AC 85
- AC 80
- AC 80 + AC 85
- NOT SUGGESTED

ARTICLE	CODE	DESCRIPTION	PACKAGE	WEIGHT	PALETTE
■ ABACUS 500 24V FE E	GAS500EEL0B00	24V with electronic limit switches	1 pcs.	10,7 kg	45
■ ABACUS 500 230V FE	GAS500E0H0B00	230V with electronic limit switches	1 pcs.	11,2 kg	45
■ ABACUS 500 230V FM E	GAS500MEH0B00	230V with mechanical stops and encoder	1 pcs.	11,2 kg	45



INSTALLATION CHART

- 1 **2 ABACUS 500 24V FE E** - GAS500EEL0B00
For swing leaves 24V with encoder and electronic limit switches
- 2 **1 QUAD 24V HP** - GQUADHP2LOG00
Control unit for 1/2 motors 24V HP
- 3 **1 KEEP 2 RC** - GKEEP2STNOB00
2 Channels rolling code Remote control
- 4 **2 MAST 50** - GMAST005NOG00
Extruded aluminium column h 50 cm
- 5 **2 DART** - GDARTSTDNOB00
Photocells
- 6 **1 SWIFT** - GSWIFTSTLYB00
Flashing signal light
- 7 **1 INDEX** - GINDEXSTNOB00
Key operated switch
- 8 **1 AC-50** - GBATTERYLOG00
Battery kit

TECHNICAL CHARACTERISTICS

Electrical information	AS500 24V FE E	AS500 230V FE	AS500 230V FM E
Power supply	24 VDC	230 VAC	230 VAC
Power consumption	110 W	280 W	280 W
Current input	5 A	1,2 A	1,2 A
Maximum thrust	1800 N	2000 N	2000 N
Nominal thrust	600 N	700 N	700 N
Duty cycle	Intensive use	50%	50%
Protection rating (IP)	IP44	IP44	IP44
Insulation class	2	1 (earthing)	1 (earthing)
Working temperature	-20°C / +50°C	-20°C / +50°C	-20°C / +50°C
No-load speed	21 mm/s	16 mm/s	16 mm/s
Weight	10,7 kg	11,2 kg	11,2 kg

ABACUS 500

ACCESSORIES from page 186 a 187



CONTROL ACCESSORIES from page 208 a 243



SAFETY ACCESSORIES from page 244 a 251



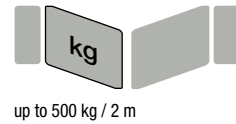
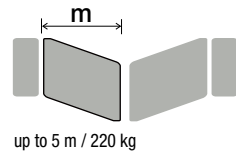


Swing gates

ABACUS 500 ONE KIT

ONE TECHNOLOGY

The kits contain all the parts and equipment you need to make set up and connection as easy as possible. Instruction manuals and technical information are available on our website at www.comunello.com. We also offer our service to provide expert technical support by phone. The actuator range is in compliance with CE directive (EMC, LVD, and R&TTE) and successive amendment



ARTICLE	CODE	MOTOR CODE	DESCRIPTION	PACKAGE	WEIGHT	PALETTE
KIT ABACUS 500 ONE	GK1A500MLB000	ABACUS 500 24V ONE / G1A500MELOB00	Kit Abacus One 24V for swing leaves	1 kit	22 kg	16

ABACUS 500 ONE KIT CONTENTS



ABACUS 500 ONE
2 MOTORS ABACUS 500 ONE



QUAD ONE 24V 2M
Control unit



KEEP 2 RC
2 radio control unit 2ch.



DART ONE
Photocells



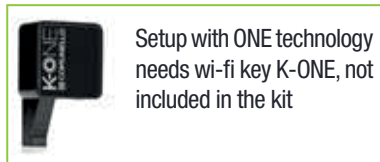
SWIFT-Y ONE
Flashing signal lights



AC 40
Signage table



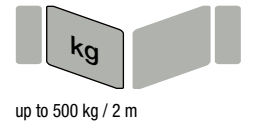
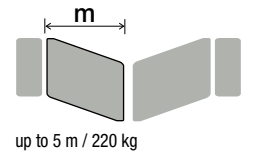
Accessories included



Setup with ONE technology needs wi-fi key K-ONE, not included in the kit



ABACUS 500 KIT



The kits contain all the parts and equipment you need to make set up and connection as easy as possible. Instruction manuals and technical information are available on our website at www.comunello.com. We also offer our service to provide expert technical support by phone. The actuator range is in compliance with CE directive (EMC, LVD, and R&TTE) and successive amendment

ARTICLE	CODE	MOTOR CODE	DESCRIPTION	PACKAGE	WEIGHT	PALETTE
KIT ABACUS 500 24V	GKAS500ELB000	ABACUS 500 24V FE E / GAS500EEL0B00	Kit Abacus 24V for swing leaves	1 kit	26,2 kg	16
KIT ABACUS 500 230V	GKAS500MHB000	ABACUS 500 230V FM E / GAS500MEH0B00	Kit Abacus 230V for swing leaves	1 kit	26,4 kg	16

ABACUS 500 KIT CONTENTS



ABACUS 500
2 MOTORS ABACUS 500



QUAD 24V 2M / QUAD 230V 2M
Control unit



INDEX
Key operated switch



KEEP 2 RC
2 ch. radio control unit



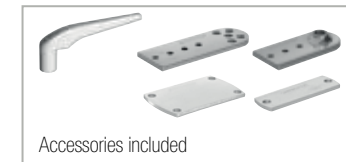
DART
Photocells



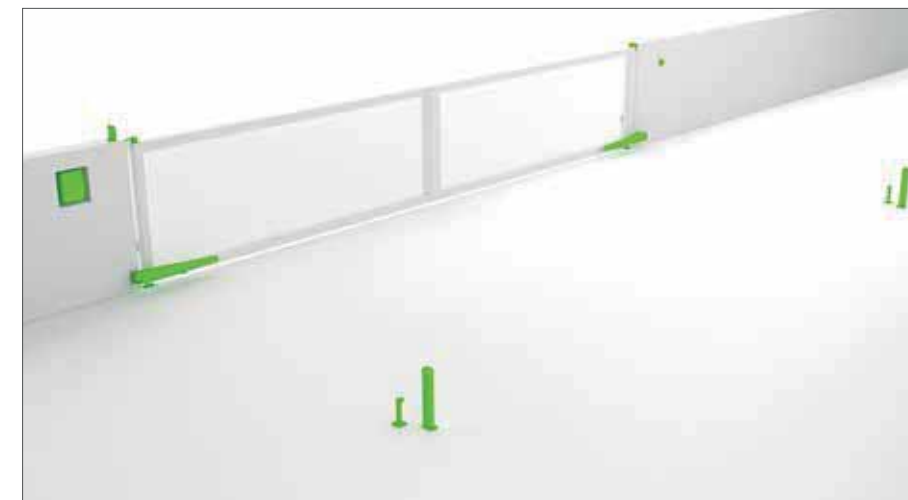
SWIFT-Y
Flashing signal lights



AC 40
Signage table



Accessories included





CONDOR 220 / 350

Actuators with articulated arms for swing for leaves up to 2,2 m and 3,5 m (Max leaf weight: 150kg and 225kg)
For 250 kg leaf weight, max leaf length is 1 m



Electromechanical actuators with articulated arm

Condor is a line of impact-resistant articulated arm actuators designed to perform to the highest standards in all weathers. Constructed to provide absolute security in case of emergency as well as maximum power output from elevated torque. The new

control panel performs to the highest standards and provides simple automated/semi-automated programming of the stop position. Easy and practical to install, these actuators are the ideal solution for heavy use situations.

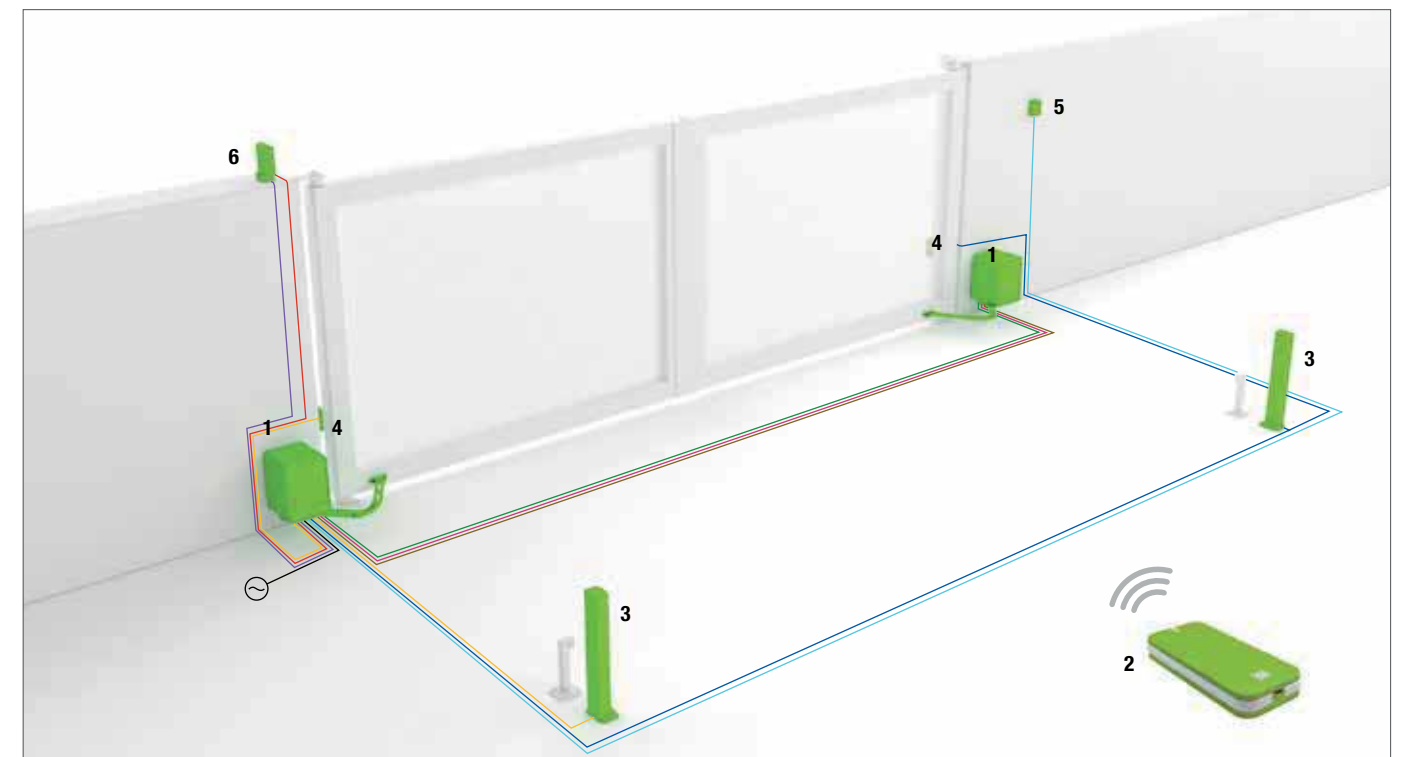


GENERAL INFORMATION

- **24 VDC and 230 VAC versions.**
Irreversible motors, 24 VDC & 230 VAC complete with galvanised articulated arm
- **Durability**
Compact, aluminium impact-resistant frame. Diecast alloy (or stainless steel) arm
- **Safety and Reliability**
Key and lever-operated emergency release mechanism
- **Versions with encoder and limit switch**
- **Maximun power**
From elevated torque. Bronze gearings available.
- **Easy to install**
- **New control board**
Preconfigured connection board. LED / Trimmer adjustments for easy reading.
Programmable automatic/semi-automatic limit switch, timer and reduced speeds. Built-in receiver
- **Available in kit form**

24 VDC 230 VAC KIT

INSTALLATION CHART



- CONDOR 220 / 350
- CONTROL RADIO
- COLUMNNS
- PHOTOCELLS
- KEY OPERATED SWITCH
- FLASHING SIGNAL LIGHTS

24V	DESCRIPTION	Wire	Length (1 m / 20 m)	Length (20 m / 50 m)
Black	Power supply		2 x 1,5 mm ²	2 x 2,5 mm ²
Green	Operating power supply		2 x 2,5 mm ²	2 x 4,0 mm ²
Purple	Flashing signal lights		2 x 0,5 mm ²	2 x 1,0 mm ²
Yellow	Photocell TX	FRDOR CBI 20-22 CBI	2 x 0,5 mm ²	2 x 1,0 mm ²
Blue	Photocell RX	BN 50267-2-1	4 x 0,5 mm ²	4 x 1,0 mm ²
Cyan	Key operated switch		3 x 0,5 mm ²	3 x 1,0 mm ²
Pink	Limit switch		3 x 0,5 mm ²	3 x 1,0 mm ²
Brown	Encoder		3 x 0,5 mm ²	3 x 1,0 mm ²
Red	Antenna	RG58	max 20 m	max 20 m

230V	DESCRIPTION	Wire	Length (1 m / 20 m)	Length (20 m / 50 m)
Black	Power supply		3G x 1,5 mm ²	3G x 2,5 mm ²
Green	Operating power supply		4G x 1,5 mm ²	4G x 2,5 mm ²
Purple	Flashing signal lights		2 x 0,5 mm ²	2 x 1,0 mm ²
Yellow	Photocell TX	FRDOR CBI 20-22 CBI	2 x 0,5 mm ²	2 x 1,0 mm ²
Blue	Photocell RX	BN 50267-2-1	4 x 0,5 mm ²	4 x 1,0 mm ²
Cyan	Key operated switch		3 x 0,5 mm ²	3 x 1,0 mm ²
Pink	Limit switch		3 x 0,5 mm ²	3 x 1,0 mm ²
Brown	Encoder		3 x 0,5 mm ²	3 x 1,0 mm ²
Red	Antenna	RG58	max 20 m	max 20 m



Actuators with articulated arms for swing for leaves up to 2,2 m and 3,5 m (Max leaf weight: 150kg and 225kg)
For 250 kg leaf weight, max leaf length is 1 m

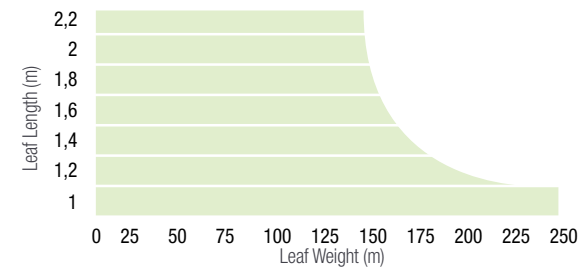
Swing gates

CONDOR 220 ONE

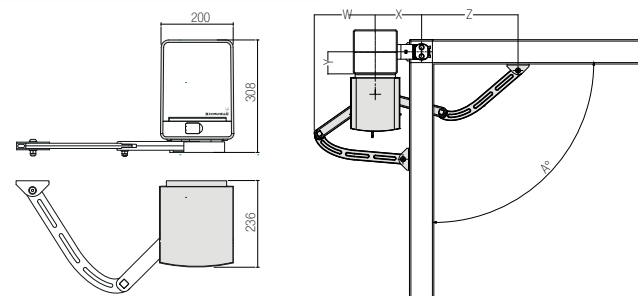
Actuators with articulated arms for swing for leaves up to 2,20 m (Max leaf weight: 150 kg)
For 250 kg leaf weight, max leaf length is 1 m



OPERATING LIMITS



ACCESSORIES INCLUDED



A°	X	Y	Z	W
90°	205	0	415	209
90°	190	50	415	135
90°	185	100	395	159,5
90°	170	150	372	278
110°	250	0	365	287

ONE TECHNOLOGY

ARTICLE	CODE	DESCRIPTION	PACKAGE	WEIGHT	PALETTE
CONDOR 220 24V ONE	G1C220MEL0B00	24V built-in control board with encoder	1 pcs.	10 kg	36
CONDOR 220 24V ONE SC	G1C220M1L0B00	24V without control board. Mechanical stops and encoder	1 pcs.	10 kg	36



INSTALLATION CHART

- 1 CONDOR 220 24V ONE** - G1C220MEL0B00
24V built-in control board with encoder
- 1 CONDOR 220 24V ONE SC** - G1C220M1L0B00
24V without control board. Mechanical stops and encoder
- 1 KEEP 2 RC** - GKEEP2STNOB00
2 Channels rolling code Remote control
- 2 MAST 50** - GMAST005NOG00
Extruded aluminium column h 50 cm
- 2 DART ONE** - G1DARTSTNOB00
Photocells DART RX+TX ONE
- 1 SWIFT ONE** - G1SWIFTSTYB00
Flashing signal light
- 1 INDEX ONE** - G1INDEXSTOB00
Key operated switch
- 1 AC-51** - G1BATTERLOG00
Battery kit

TECHNICAL CHARACTERISTICS

Electrical information	CONDOR 220 ONE
Power supply	230 VAC 50 Hz
Operating power supply	24 VDC
Power consumption	110 W
Current input	5 A
Torque	150 Nm
Duty cycle	30%
Protection rating (IP)	IP44
Insulation class	2
Working temperature	-20°C / +50°C
Speed	0,10 rad/s
Weight	10 Kg

CONDOR 220 ONE

ACCESSORIES from page 184 a 185



Wi-fi connection key K-ONE / G1KEYWIFLOG00	Outdoor antenna AC 30 / GANTENNANOG00	Reversible longer articulated arm AC 101 / GCRO04BANOG00	Slide arm AC 108 / GCRO08BANOB00
---	--	---	-------------------------------------

CONTROL ACCESSORIES from page 208 a 243



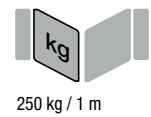
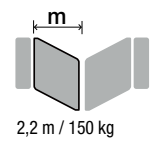
SAFETY ACCESSORIES from page 244 a 251



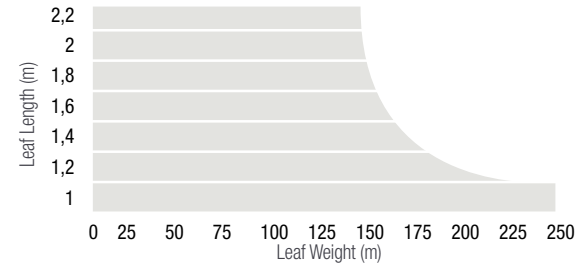


CONDOR 220

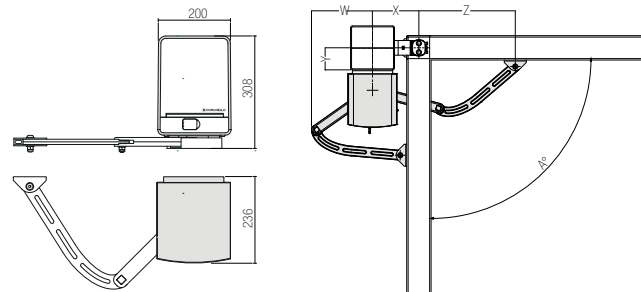
Actuators with articulated arms for swing for leaves up to 2,20 m (Max leaf weight: 150 kg)
For 250 kg leaf weight, max leaf length is 1 m



OPERATING LIMITS

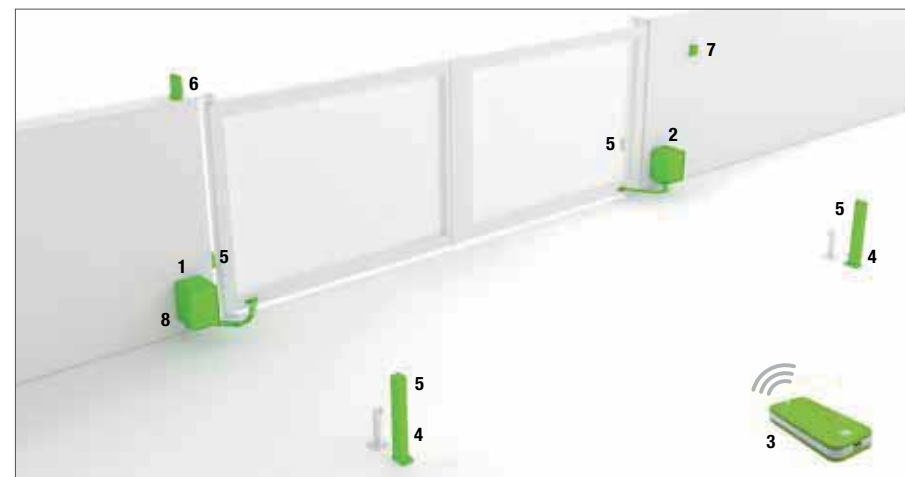


ACCESSORIES INCLUDED



A°	X	Y	Z	W
90°	205	0	415	209
90°	190	50	415	135
90°	185	100	395	159.5
90°	170	150	372	278
110°	250	0	365	287

ARTICLE	CODE	DESCRIPTION	PACKAGE	WEIGHT	PALETTE
CONDOR 220 24V FM	GCR220MCL0B00	24V built-in control board with mechanical stops	1 pcs.	10 kg	36
CONDOR 220 24V FE	GCR220ECL0B00	24V built-in control board with electronic limit switches	1 pcs.	10 kg	36
CONDOR 220 24V FE E	GCR220EEL0B00	24V built-in control board with electronic limit switches and encoder	1 pcs.	10 kg	36
CONDOR 220 24V FM SC	GCR220MOL0B00	24V without control board with mechanical stops	1 pcs.	10 kg	36
CONDOR 220 230V FM	GCR220MCH0B00	230V built-in control board with mechanical stops	1 pcs.	10 kg	36
CONDOR 220 230V FE	GCR220ECH0B00	230V entrale integrata with electronic limit switches	1 pcs.	10 kg	36
CONDOR 220 230V FE E	GCR220EEH0B00	230V built-in control board with electronic limit switches and encoder	1 pcs.	10 kg	36
CONDOR 220 230V FM SC	GCR220MOH0B00	230V without control board with mechanical stops	1 pcs.	8 kg	36



INSTALLATION CHART

- CONDOR 220 24V FM** - GCR220MCL0B00
24V Built-in control board with mechanical stops and encoder
- CONDOR 220 24V FM SC** - GCR220MOL0B00
24V without control board with mechanical stops
- KEEP 2 RC** - GKEEP2STNOB00
2 Channels rolling code Remote control
- MAST 50** - GMAST005NOG00
Extruded aluminium column h 50 cm
- DART** - GDARTSTDNOB00
Photocells
- SWIFT** - GSWIFTSTLYB00
Flashing signal lights
- INDEX** - GINDEXSTNOB00
Key operated switch
- AC-50** - GBATTERYLOG00
Battery kit

TECHNICAL CHARACTERISTICS

Electrical information	24V	230V
Power supply	230 VAC 50 Hz	230 VAC 50 Hz
Operating power supply	24 VDC	230 VAC
Power consumption	110 W	280 W
Current input	5 A	1,2 A
Torque	150 Nm	250 Nm
Duty cycle	50%	50%
Protection rating (IP)	IP44	IP44
Insulation class	2	1 (earthing)
Working temperature	-20°C / +50°C	-20°C / +50°C
Speed	0,10 rad/s	0,10 rad/s
Weight	10 Kg	10 Kg

CONDOR 220

ACCESSORIES from page 184 a 185



CONTROL ACCESSORIES from page 208 a 243



SAFETY ACCESSORIES from page 244 a 251



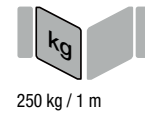
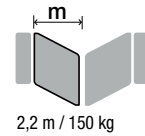


Swing gates

CONDOR 220 ONE KIT

ONE TECHNOLOGY

The kits contain all the parts and equipment you need to make set up and connection as easy as possible. Instruction manuals and technical information are available on our website at www.comunello.com. We also offer our service to provide expert technical support by phone. The actuator range is in compliance with CE directive (EMC, LVD, and R&TTE) and successive amendments.



ARTICLE	CODE	MOTOR CODE	DESCRIPTION	PACKAGE	WEIGHT	PALETTE
KIT CONDOR 220 ONE	GK1C220MLB000	CONDOR 220 24V ONE / G1C220MELOB00 CONDOR 220 24V ONE SC / G1C220M1LOB00	Kit Condor One 24V for swing leaves	1 kit	19,6 kg	12

CONDOR 220 ONE KIT CONTENTS



CONDOR 220 ONE
2 MOTORS CONDOR 220 ONE



KEEP 2 RC
2 2ch. radio control unit



DART ONE
Photocells



SWIFT Y ONE
Flashing signal lights

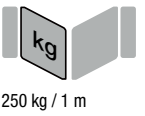
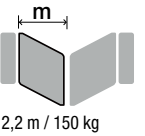


AC 40
Signage table

Setup with ONE technology needs wi-fi key K-ONE, not included in the kit



CONDOR 220 KIT



The kits contain all the parts and equipment you need to make set up and connection as easy as possible. Instruction manuals and technical information are available on our website at www.comunello.com. We also offer our service to provide expert technical support by phone. The actuator range is in compliance with CE directive (EMC, LVD, and R&TTE) and successive amendments.

ARTICLE	CODE	MOTOR CODE	DESCRIPTION	PACKAGE	WEIGHT	PALETTE
KIT CONDOR 220 24V	GKCR220MLB000	CONDOR 220 24V FM / GCR220MCL0B00 CONDOR 220 24V FM SC / GCR220MLOB00	Kit Condor 24V for swing leaves	1 kit	19,6 kg	16
KIT CONDOR 220 230V	GKCR220MHB000	CONDOR 220 230V FM / GCR220MCH0B00 CONDOR 220 230V FM SC / GCR220MOH0B00	Kit Condor 230V for swing leaves	1 kit	19,6 kg	16

CONDOR 220 KIT CONTENTS



CONDOR 220
2 MOTORS CONDOR 220



INDEX
Key operated switch



KEEP 2 RC
2 ch. radio control unit



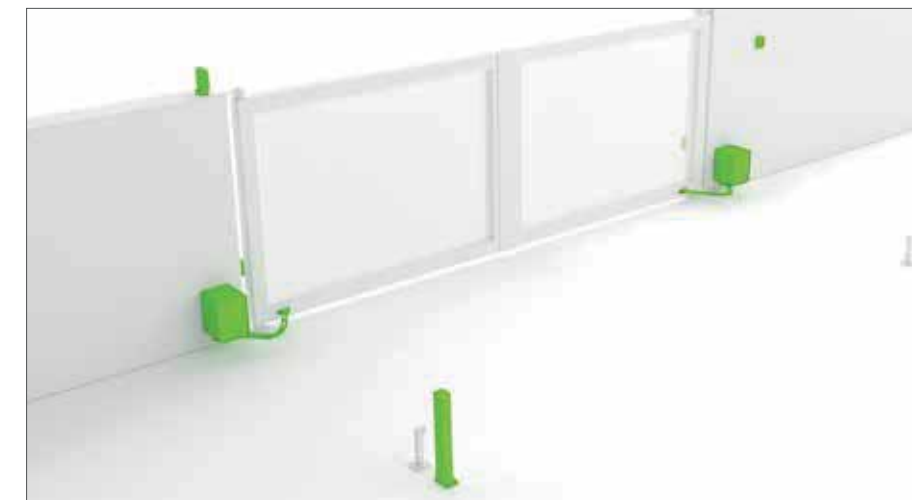
DART
Photocells



SWIFT Y
Flashing signal lights



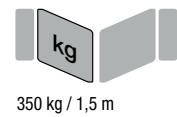
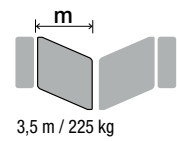
AC 40
Signage table



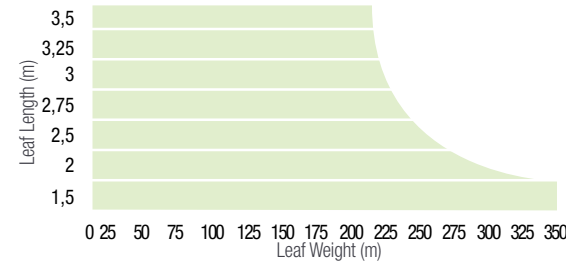


CONDOR 350 ONE

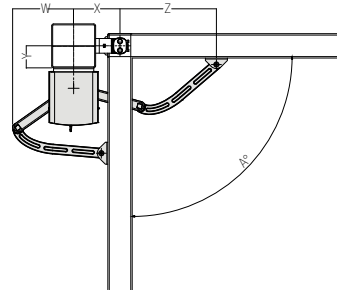
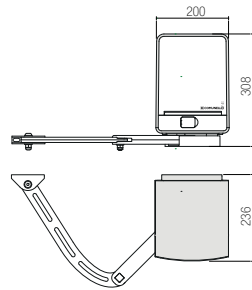
Actuators with articulated arms for swing for leaves up to 3,5 m (Max leaf weight: 225 kg)
For 350 kg leaf weight, max leaf length is 1,5 m



OPERATING LIMITS



ACCESSORIES INCLUDED



A°	X	Y	Z	W
90°	205	0	415	209
90°	190	50	415	135
90°	185	100	395	159,5
90°	170	150	372	278
110°	250	0	365	287

ONE TECHNOLOGY

ARTICLE	CODE	DESCRIPTION	PACKAGE	WEIGHT	PALETTE
CONDOR 350 24V ONE	G1C350MELOB00	24V built-in control board with mechanical stops and encoder	1 pcs.	12 kg	36
CONDOR 350 24V ONE SC	G1C350M1LOB00	24V without control board with mechanical stops and encoder	1 pcs.	12 kg	36



INSTALLATION CHART

- CONDOR 350 24V ONE** - G1C350MELOB00
24V built-in control board with mechanical stops and encoder
- CONDOR 350 24V SLAVE ONE** - G1C350M1LOB00
24V without control board with mechanical stops and encoder
- KEEP 2 RC** - GKEEP2STNOB00
2 Channels rolling code Remote control
- MAST 50** - GMAST005NOG00
Extruded aluminium column h 50 cm
- DART ONE** - G1DARTSTNOB00
Photoceles DART RX+TX ONE
- SWIFT ONE** - G1SWIFTSTYB00
Flashing signal light
- INDEX ONE** - G1INDEXSTOB00
Key operated switch
- AC-51** - G1BATTERLOG00
Battery kit

TECHNICAL CHARACTERISTICS

Electrical information	CONDOR 350 ONE
Power supply	230 VAC 50 Hz
Operating power supply	24 VDC
Power consumption	150 W
Current input	6,5 A
Torque	200 Nm
Duty cycle	intensive use
Protection rating (IP)	IP44
Insulation class	2
Working temperature	-20°C / +50°C
Speed	0,10 rad/s
Weight	10 Kg

CONDOR 350 ONE

ACCESSORIES from page 184 a 185

<p>Wi-fi key ONE can be used for all ONE settings (one key for one installer)</p> <p>Wi-fi connection key K-ONE / G1KEYWIFLOG00</p>	<p>Outdoor antenna AC 30 / GANTENNVANOG00</p>	<p>Reversible longer articulated arm AC 101 / GCR004BANOG00</p>	<p>Slide arm AC 108 / GCR008BANOB00</p>
---	---	---	---

CONTROL ACCESSORIES from page 208 a 243

<p>Control unit QUAD-1M-ONE / G1QUAD1MLOG00</p>	<p>Control unit QUAD-2M-ONE / G1QUAD2MLOG00</p>	<p>Battery kit AC 51 / G1BATTERLOG00</p>	<p>Horizontal 12V electric lock AC 10 / GINDEXRPMOG00</p>	<p>Vertical 12V electric lock AC 20 / GINDEXVPMOG00</p>	<p>Key operated emergency release AC 110 / GCR001SONOG00</p>	<p>External cable release kit AC 120 - 2,5 m / GCR0025NOB00 AC 130 - 9 m / GCR009NOB00</p>
<p>Kit 5 Remote control, rolling code 2 ch. KITVICTOR / GVCTR2STN600</p>	<p>Remote control, rolling code 2 ch. KEEP 2 RC W / GKEEP2STNOW00 KEEP 2 RC B / GKEEP2STNOB00</p>	<p>Remote control, rolling code 4 ch. KEEP 4 RC W / GKEEP4STNOW00 KEEP 4 RC B / GKEEP4STNOB00</p>	<p>Key operated switch bus INDEX ONE / G1INDEXSTOB00</p>	<p>Digital switch with keypad TACT / G1TACTSTNOB00</p>		

SAFETY ACCESSORIES from page 244 a 251

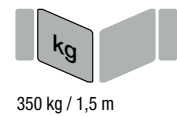
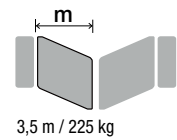
<p>Flashing signal light bus SWIFT ONE YELLOW / G1SWIFTSTYB00 SWIFT ONE WHITE / G1SWIFTSTMB00</p>	<p>Photoceles bus DART ONE / G1DARTSTNOB00</p>	<p>Photoceles bus slim DART SLIM ONE / G1DARTSLNOB00</p>	<p>Adjustable photoceles bus DART ADJUSTABLE ONE G1DARTADNOB00</p>	<p>Signage table AC 40 / GSAFETYNOG00</p>
---	--	--	--	---



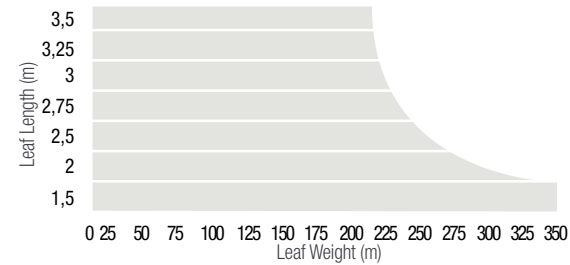
Swing gates

CONDOR 350

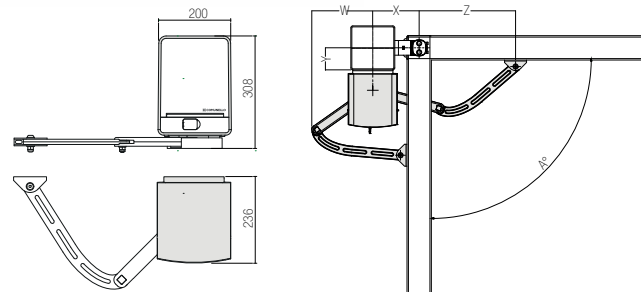
Actuators with articulated arms for swing for leaves up to 3,5 m (Max leaf weight: 225 kg)
For 350 kg leaf weight, max leaf length is 1,5 m



OPERATING LIMITS

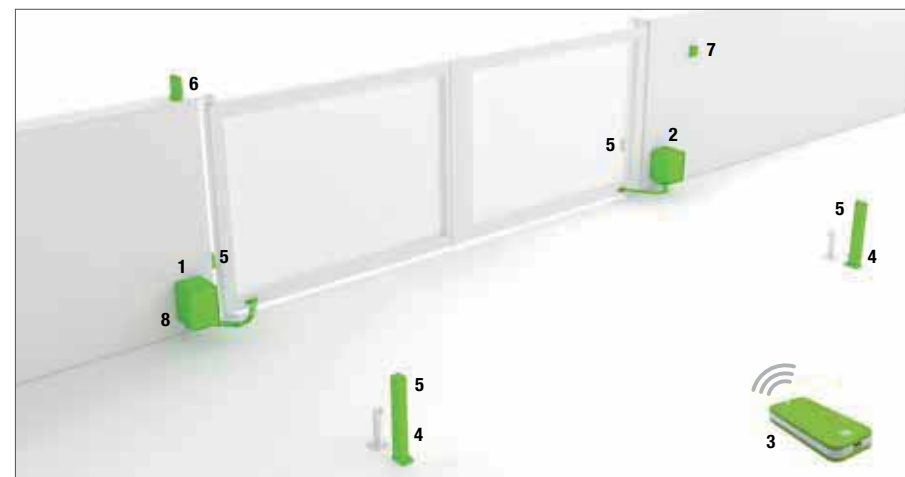


ACCESSORIES INCLUDED



A°	X	Y	Z	W
90°	205	0	415	209
90°	190	50	415	135
90°	185	100	395	159.5
90°	170	150	372	278
110°	250	0	365	287

ARTICLE	CODE	DESCRIPTION	PACKAGE	WEIGHT	PALETTE
CONDOR 350 24V FE E	GCR350EEL0B00	24V built-in control board with electronic limit switches and encoder	1 pcs.	12 kg	36
CONDOR 350 24V FE E SC	GCR350E1L0B00	24V electronic limit switches with encoder without control board	1 pcs.	12 kg	36



INSTALLATION CHART

- CONDOR 350 24V FE E** - GCR350EEL0B00
24V built-in control board with electronic limit switches and encoder
- CONDOR 350 24V FE E SC** - GCR350E1L0B00
24V electronic limit switches with encoder without control board
- KEEP 2 RC** - GKEEP2STNOB00
2 Channels rolling code Remote control
- MAST 50** - GMAST005NOG00
Extruded aluminium column h 50 cm
- DART** - GDARTSTDNOB00
Photocells
- SWIFT** - GSWIFTSTLYB00
Flashing signal lights
- INDEX** - GINDEXSTNOB00
Key operated switch
- AC-50** - GBATTERYLOG00
Battery kit

TECHNICAL CHARACTERISTICS

Electrical information	24V	230V
Power supply	230 VAC 50 Hz	230 VAC 50 Hz
Operating power supply	24 VDC	230 VAC
Power consumption	110 W	280 W
Current input	5 A	1,2 A
Torque	150 Nm	250 Nm
Duty cycle	50%	50%
Protection rating (IP)	IP44	IP44
Insulation class	2	1 (earthing)
Working temperature	-20°C / +50°C	-20°C / +50°C
Speed	0,10 rad/s	0,10 rad/s
Weight	10 Kg	10 Kg

CONDOR 350

ACCESSORIES from page 184 a 185



CONTROL ACCESSORIES from page 208 a 243



SAFETY ACCESSORIES from page 244 a 251

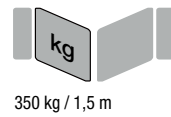
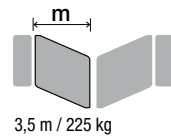




CONDOR 350 ONE KIT

ONE TECHNOLOGY

The kits contain all the parts and equipment you need to make set up and connection as easy as possible. Instruction manuals and technical information are available on our website at www.comunello.com. We also offer our service to provide expert technical support by phone. The actuator range is in compliance with CE directive (EMC, LVD, and R&TTE) and successive amendments.



ARTICLE	CODE	MOTOR CODE	DESCRIPTION	PACKAGE	WEIGHT	PALETTE
KIT CONDOR 350 ONE	GK1C350MLB000	CONDOR 350 24V ONE / G1C350MELOB00 CONDOR 350 24V ONE SC / G1C350M1LOB00	Kit Condor One 24V for swing leaves	1 kit	19,6 kg	12

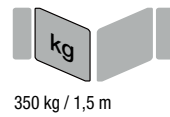
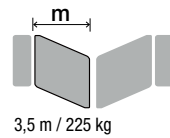
CONDOR 350 ONE KIT CONTENTS

CONDOR 350 ONE 2 MOTORI CONDOR 350 ONE	KEEP 2 RC 2 2ch. radio control unit	DART ONE Photocells	SWIFT Y ONE Flashing signal lights	AC 40 Signage table

Setup with ONE technology needs wi-fi key K-ONE, not included in the kit



CONDOR 350 KIT



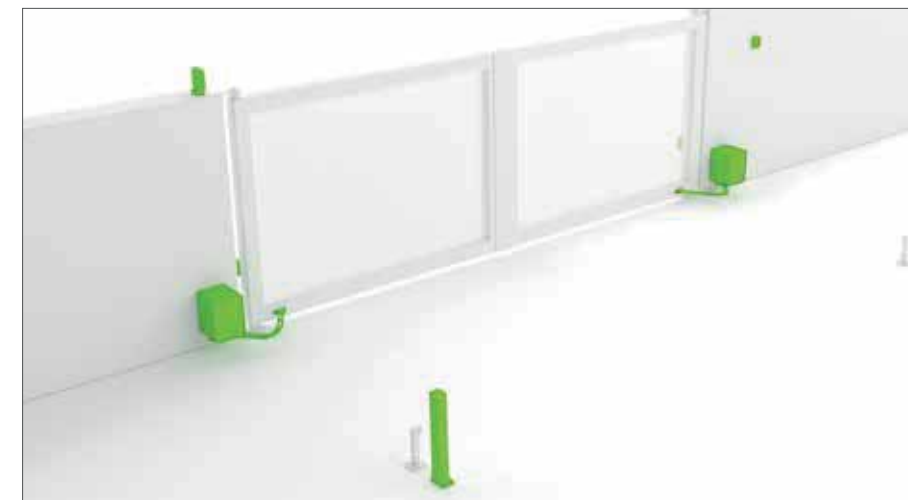
The kits contain all the parts and equipment you need to make set up and connection as easy as possible. Instruction manuals and technical information are available on our website at www.comunello.com. We also offer our service to provide expert technical support by phone. The actuator range is in compliance with CE directive (EMC, LVD, and R&TTE) and successive amendments.

ARTICLE	CODE	MOTOR CODE	DESCRIPTION	PACKAGE	WEIGHT	PALETTE
KIT CONDOR 350 24V	GKCR350ELB000	CONDOR 350 24V FE E / GCR350EEL0B00 CONDOR 350 24V FE E SC / GCR350E1LOB00	Kit Condor 24V for swing leaves	1 kit	19,6 kg	16

CONDOR 350 KIT CONTENTS

CONDOR 350 2 MOTORI CONDOR 350	INDEX Key operated switch	KEEP 2 RC 2 ch. radio control unit	DART Photocells	SWIFT Y Flashing signal lights

AC 40 Signage table





Swing gates

CONDOR 500

Actuators with articulated arms for swing for leaves up to 5 m (Max leaf weight: 400 kg)
For 500 kg leaf weight, max leaf length is 3,25 m



LEFT OR RIGHT MOUNTING



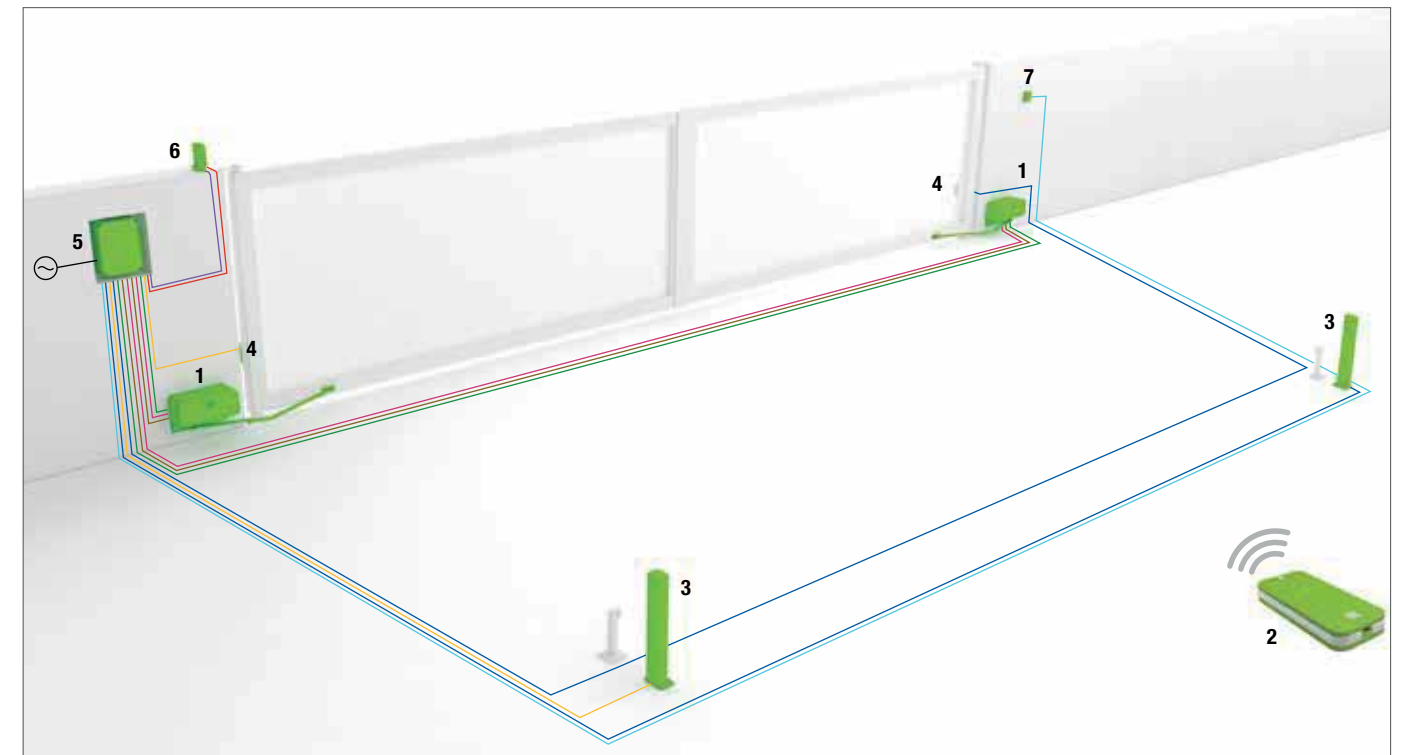
GENERAL INFORMATION

- **24 VDC and 230 VAC versions. Left or right mounting**
Irreversible motors, 24 VDC & 230 VAC for Left or right mounting, complete with galvanised articulated arm
- **Durable and compact**
Robust non-shearing steel arm. Transmission with metal gears. Compact
- **Safety and reliability**
Key and lever-operated emergency release mechanism. Possibility of remote cable operation
- **Built-in twin limit switch**
Pre-cabled both for opening and closing
- **Easy to install, no welding necessary**
- **Available in kit form**

24 VDC 230 VAC KIT

Swing gates

INSTALLATION CHART



- 1 CONDOR 500
- 2 CONTROL RADIO
- 3 COLUMNS
- 4 PHOTOCELLS
- 5 CONTROL UNIT
- 6 FLASHING SIGNAL LIGHTS
- 7 KEY OPERATED SWITCH

24V	DESCRIPTION	Wire	Length (1 m / 20 m)	Length (20 m / 50 m)
Black	Power supply		2 x 1,5 mm ²	2 x 2,5 mm ²
Green	Operating power supply		2 x 2,5 mm ²	2 x 4,0 mm ²
Purple	Flashing signal lights	FROR CEI 20-22 CEI	2 x 0,5 mm ²	2 x 1,0 mm ²
Yellow	Photocell TX	EN 50267-2-1	2 x 0,5 mm ²	2 x 1,0 mm ²
Blue	Photocell RX		4 x 0,5 mm ²	4 x 1,0 mm ²
Cyan	Key operated switch		3 x 0,5 mm ²	3 x 1,0 mm ²
Brown	Limit switch		3 x 0,5 mm ²	3 x 1,0 mm ²
Orange	Encoder		3 x 0,5 mm ²	3 x 1,0 mm ²
Red	Antenna	RG58	max 20 m	max 20 m

230V	DESCRIPTION	Wire	Length (1 m / 20 m)	Length (20 m / 50 m)
Black	Power supply		3G x 1,5 mm ²	3G x 2,5 mm ²
Green	Operating power supply		4G x 1,5 mm ²	4G x 2,5 mm ²
Purple	Flashing signal lights	FROR CEI 20-22 CEI	2 x 0,5 mm ²	2 x 1,0 mm ²
Yellow	Photocell TX	EN 50267-2-1	2 x 0,5 mm ²	2 x 1,0 mm ²
Blue	Photocell RX		4 x 0,5 mm ²	4 x 1,0 mm ²
Cyan	Key operated switch		3 x 0,5 mm ²	3 x 1,0 mm ²
Brown	Limit switch		3 x 0,5 mm ²	3 x 1,0 mm ²
Orange	Encoder		3 x 0,5 mm ²	3 x 1,0 mm ²
Red	Antenna	RG58	max 20 m	max 20 m

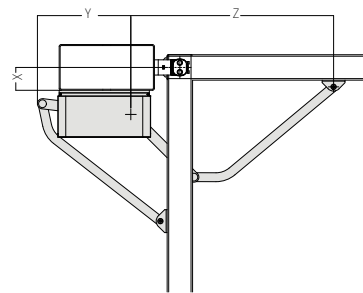
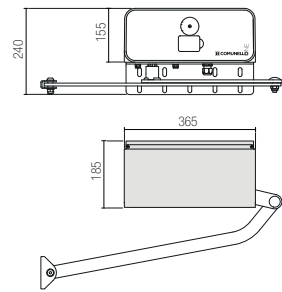
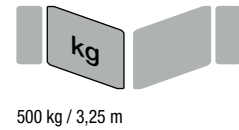
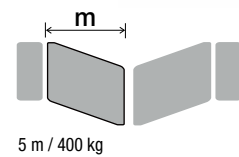


CONDOR 500 ONE

Actuators with articulated arms for swing for leaves up to 5 m (Max leaf weight: 400 kg)
For 500 kg leaf weight, max leaf length is 3,25 m

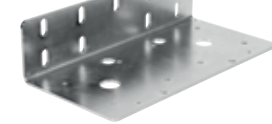


OPERATING LIMITS



X	Z	Y
50	554	535
100	555	635
150	555	535
200	555	690

ACCESSORIES INCLUDED



ONE TECHNOLOGY

ARTICLE	CODE	DESCRIPTION	PACKAGE	WEIGHT	PALETTE
CONDOR 500 24V ONE	G1C500M1L0B00	24V without control board. Mechanical stops and encoder	1 pcs.	12 kg	36



INSTALLATION CHART

- 2 CONDOR 500 24V ONE - G1C500M1L0B00
24V without control board. Mechanical stops and encoder
- 1 QUAD 2M ONE - G1QUAD2MLOG00
Control unit for 2 motors 24V Basic
- 1 KEEP 2 RC - GKEEP2STNOB00
2 Channels rolling code Remote control
- 2 MAST 50 - GMAST005NOG00
Extruded aluminium column h 50 cm
- 2 DART ONE - G1DARTSTNOB00
Photocells DART RX+TX ONE
- 1 SWIFT ONE - G1SWIFTSTYB00
Flashing signal light
- 1 INDEX ONE - G1INDEXSTOB00
Key operated switch
- 1 AC-51 - G1BATTERLOG00
Battery kit
- 2 AC-100 - GCRO01BANOG00
Reversible longer articulated arm

TECHNICAL CHARACTERISTICS

Electrical information	CONDOR 500 ONE
Operating power supply	24 VDC
Power consumption	150 W
Current input	6,5 A
Torque	330 Nm
Duty cycle	intensive use
Protection rating (IP)	IP44
Insulation class	2
Working temperature	-20°C / +50°C
Speed	0,15 rad/sec
Weight	8,8 Kg

CONDOR 500 ONE

ACCESSORIES from page 184 a 185

<p>Wi-fi key ONE can be used for all ONE settings (one key for one installer)</p> <p>Wi-fi connection key K-ONE / G1KEYWIFLOG00</p>	<p>Outdoor antenna AC 30 / GANTENNANOG00</p>	<p>Reversible longer articulated arm AC 100 / GCRO01BANOG00</p>	<p>Slide arm AC 108 / GCRO08BANOB00</p>	<p>Reversible coated locking arm AC 102 / GCRO01BANOB00</p>
---	--	---	---	---

CONTROL ACCESSORIES from page 208 a 243

<p>Control unit QUAD-1M-ONE / G1QUAD1MLOG00</p>	<p>Control unit QUAD-2M-ONE / G1QUAD2MLOG00</p>	<p>Battery kit AC 51 / G1BATTERLOG00</p>	<p>Horizontal 12V electric lock AC 10 / GINDEXRMOG00</p>	<p>Vertical 12V electric lock AC 20 / GINDEXVMOG00</p>	<p>Key operated emergency release AC 110 / GCRO01SONOB00</p>	<p>External cable release kit AC 120 - 2,5 m / GCOORD25NOB00 AC 130 - 9 m / GCOORD90NOB00</p>
<p>Kit 5 Remote control, rolling code 2 ch. KITVICTOR / GVCTR2STN6000</p>	<p>Remote control, rolling code 2 ch. KEEP 2 RC W / GKEEP2STNOW00 KEEP 2 RC B / GKEEP2STNOB00</p>	<p>Remote control, rolling code 4 ch. KEEP 4 RC W / GKEEP4STNOW00 KEEP 4 RC B / GKEEP4STNOB00</p>	<p>Key operated switch bus INDEX ONE / G1INDEXSTOB00</p>	<p>Digital switch with keypad TACT / G1TACTSTNOB00</p>		

SAFETY ACCESSORIES from page 244 a 251

<p>Flashing signal light bus SWFT ONE YELLOW / G1SWFTSTYB00 SWFT ONE WHITE / G1SWFTSTM600</p>	<p>Photocells bus DART ONE / G1DARTSTNOB00</p>	<p>Photocells bus slim DART SLIM ONE / G1DARTSLNOB00</p>	<p>Adjustable photocells bus DART ADJUSTABLE ONE G1DARTADNOB00</p>	<p>Signage table AC 40 / GSAFETYNOG00</p>
---	--	--	--	---



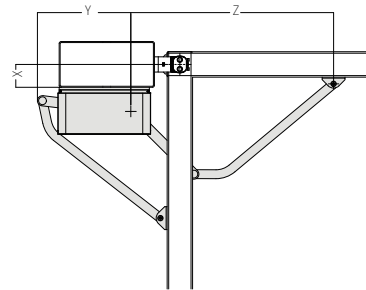
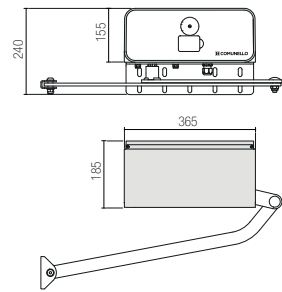
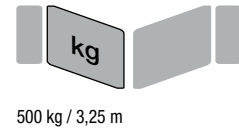
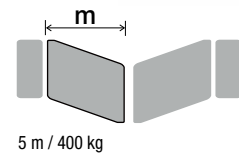
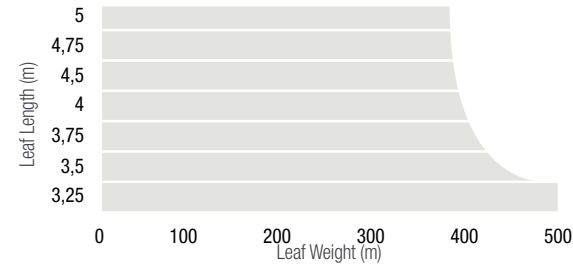
Swing gates

CONDOR 500

Actuators with articulated arms for swing for leaves up to 5 m (Max leaf weight: 400 kg)
For 500 kg leaf weight, max leaf length is 3,25 m

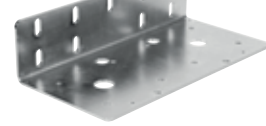


OPERATING LIMITS



X	Z	Y
50	554	535
100	555	635
150	555	535
200	555	690

ACCESSORIES INCLUDED



ARTICLE	CODE	DESCRIPTION	PACKAGE	WEIGHT	PALETTE
CONDOR 500 24V FE	GCR500E0L0B00	24V Electronic limit switches without control board	1 pcs.	12 kg	60
CONDOR 500 230V FE	GCR500E0H0B00	230V Electronic limit switches without control board	1 pcs.	12 kg	60

TECHNICAL CHARACTERISTICS

Electrical information	24V	230V
Operating power supply	24 VDC	230 VAC 50 Hz
Power consumption	150 W	280 W
Current input	6,5 A	1,2 A
Torque	330 Nm	440 Nm
Duty cycle	intensive use	50%
Protection rating (IP)	IP44	IP44
Insulation class	2	1 (earthing)
Working temperature	-20°C / +50°C	-20°C / +50°C
Speed	0,15 rad/sec	0,1 rad/sec
Weight	8,8 Kg	11,3 Kg

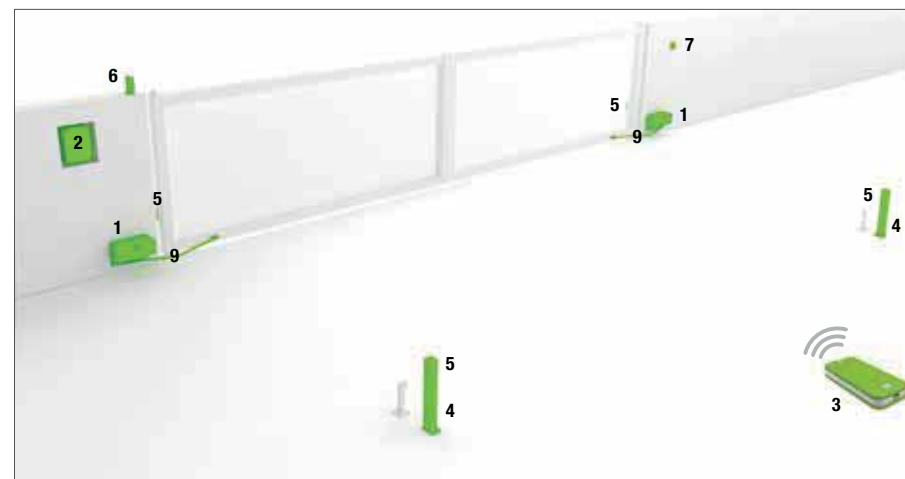
CONDOR 500

ACCESSORIES from page 184 a 185

 Outdoor antenna AC 30 / GANTENNANOG00	 Reversible longer articulated arm AC 100 / GCR001BANOG00	 Slide arm AC 108 / GCR008BANOB00	 Reversible coated locking arm AC 102 / GCR001BANOB00
---	--	--	--

CONTROL ACCESSORIES from page 208 a 243

 Control unit QUAD-24V-HP / GQUADHP2LOG00	 Control unit QUAD-230V-HP / GQUADHP2HOG00	 Battery kit AC 50 / GBATTERYLOG00	 Horizontal 12V electric lock AC 10 / GINDEXORMOG00	 Vertical 12V electric lock AC 20 / GINDEXVPMOG00	 Key operated emergency release AC 110 / GCR001SONOG00	 External cable release kit AC 120 - 2,5 m / GCOORD025NOB00 AC 130 - 9 m / GCOORD090NOB00
 Kit 5 Remote control, rolling code 2 ch. KITVICTOR / GVICTR2STN600	 Remote control, rolling code 2 ch. KEEP 2 RC W / GKEEP2STNOW00 KEEP 2 RC B / GKEEP2STNOB00	 Remote control, rolling code 4 ch. KEEP 4 RC W / GKEEP4STNOW00 KEEP 4 RC B / GKEEP4STNOB00	 Key operated switch INDEX / GINDEXSTNOB00	 Digital switch with keypad TACT / GTACTSTNOB00		



INSTALLATION CHART

- 2 CONDOR 500 24V FE** - GCR500E0L0B00
24V Electronic limit switches without control board
- 1 QUAD 24V HP** - GQUADHP2LOG00
Control unit for 1/2 motors 24V HP
- 1 KEEP 2 RC** - GKEEP2STNOB00
2 Channels rolling code Remote control
- 2 MAST 50** - GMAST005NOG00
Extruded aluminium column h 50 cm
- 2 DART** - GDARTSTDNOB00
Photocells
- 1 SWIFT** - GSWIFTSTLYB00
Flashing signal lights
- 1 INDEX** - GINDEXSTNOB00
Key operated switch
- 1 AC-50** - GBATTERYLOG00
Battery kit
- 2 AC-100** - GCR001BANOG00
Reversible longer articulated arm

SAFETY ACCESSORIES from page 244 a 251

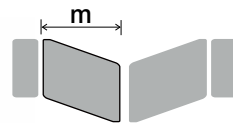
 Flashing signal lights SWIFT YELLOW / GSWIFTSTLYB00 SWIFT WHITE / GSWIFTSLWB00	 Photocells DART / GDARTSTDNOB00	 Photocells slim DART SLIM / GDARTSLMNOB00	 Adjustable photocells DART ADJUSTABLE / GDARTADJNOB00	 Signage table AC 40 / GSAFETYNOG00
---	---	---	---	--



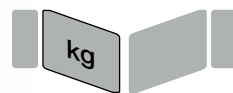
CONDOR 500 ONE KIT

ONE TECHNOLOGY

The kits contain all the parts and equipment you need to make set up and connection as easy as possible. Instruction manuals and technical information are available on our website at www.comunello.com. We also offer our service to provide expert technical support by phone. The actuator range is in compliance with CE directive (EMC, LVD, and R&TTE) and successive amendments.



5 m / 400 kg



500 kg / 3,25 m

ARTICLE	CODE	MOTOR CODE	DESCRIPTION	PACKAGE	WEIGHT	PALETTE
KIT CONDOR 500 ONE	GK1C500MLB000	CONDOR 500 24V ONE / G1C500M1LOB00	Kit Condor One 24V for swing leaves	1 kit	19,6 kg	12

CONDOR 500 ONE KIT CONTENTS



CONDOR 500 ONE
2 MOTORI CONDOR 500 ONE



QUAD ONE 24V 2M
2 2ch. radio control unit



KEEP 2 RC



DART ONE
Photocells



SWIFT Y ONE
Flashing signal lights



AC 100
Reversible longer articulated arm, 2pcs

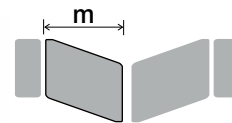


AC 40
Signage table

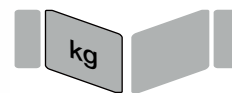
Setup with ONE technology needs wi-fi key K-ONE, not included in the kit



CONDOR 500 KIT



5 m / 400 kg



500 kg / 3,25 m

The kits contain all the parts and equipment you need to make set up and connection as easy as possible. Instruction manuals and technical information are available on our website at www.comunello.com. We also offer our service to provide expert technical support by phone. The actuator range is in compliance with CE directive (EMC, LVD, and R&TTE) and successive amendments.

ARTICLE	CODE	MOTOR CODE	DESCRIPTION	PACKAGE	WEIGHT	PALETTE
KIT CONDOR 500 24V	GKCR500ELB000	CONDOR 500 24V FE / GCR500EOL0B00	Kit Condor 24V for swing leaves	1 kit	19,6 kg	16
KIT CONDOR 500 230V	GKCR500EHB000	CONDOR 500 230V FE / GCR500EOH0B00	Kit Condor 230V for swing leaves	1 kit	19,6 kg	16

CONDOR 500 KIT CONTENTS



CONDOR 500
2 MOTORI CONDOR 500



QUAD 24V HP / QUAD 230V HP
Control unit



INDEX
Key operated switch



KEEP 2 RC
2 ch. radio control unit



DART
Photocells



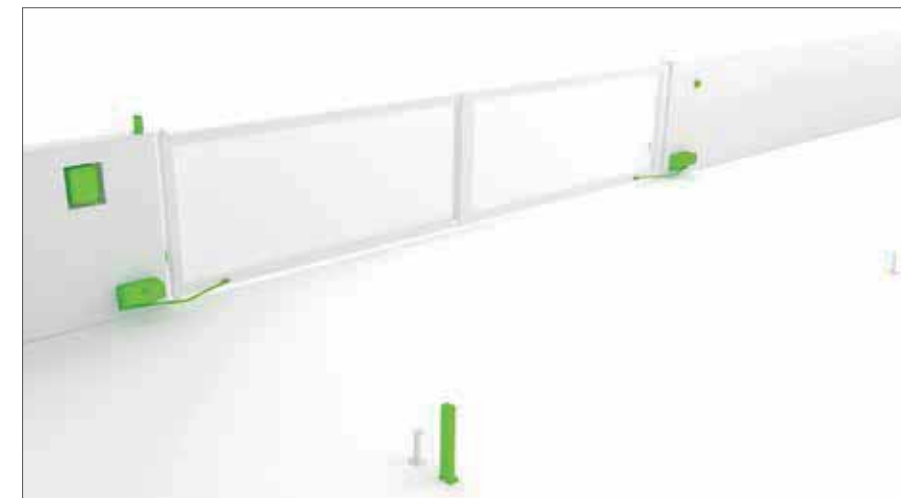
SWIFT Y
Flashing signal lights



AC 100
Reversible longer articulated arm, 2pcs



AC 40
Signage table





Swing gates

RAM 220 / 300 / 500

Telescopic reversible rod actuators for swing leaves up to 2,2 m, 3 m and 5 m:



Reversible electromechanical actuator with telescopic rod

Ram is a line of telescopic actuators for swing gates with leaves up to 5 m. Built to last using the highest quality mechanical components, these actuators provide optimum performance in all weathers. A simple,

secure emergency release lever guarantees elevated levels of safety and reliability. The use of standard screw-fixed support brackets make these actuators extremely easy to install.



LEFT OR RIGHT MOUNTING



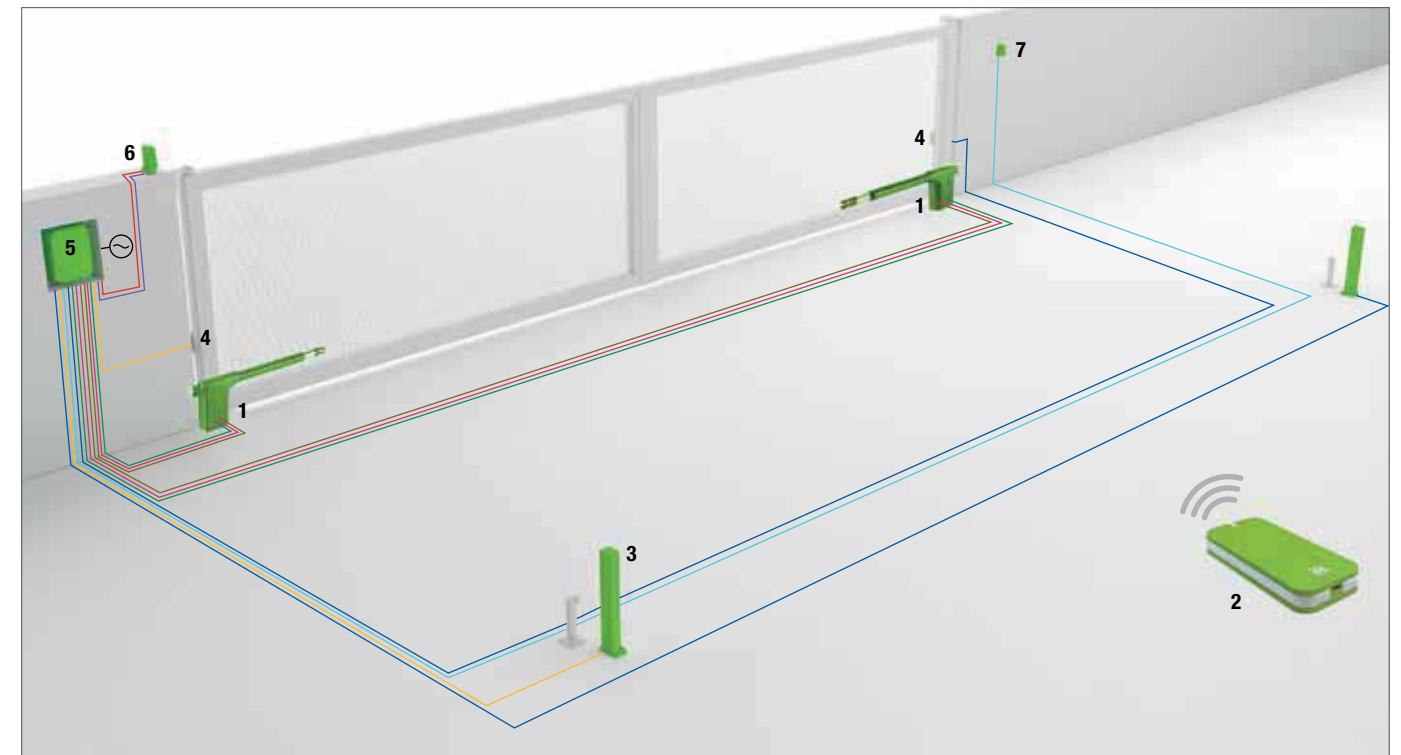
GENERAL INFORMATION

- **24 VDC and 230 VAC versions. Left or right mounting**
Irreversible motors, 24 VDC & 230 VAC for Left or right mounting
- **Durable**
With durable moving parts. Epoxy coated diecast aluminium casing. Bronze gears available
- **Safety and reliability**
Lever-operated emergency release mechanism
- **Rapid installation**
From standard screw-on mounting brackets
- **Reversible**
- **Available in kit form**



Swing gates

INSTALLATION CHART



- 1 RAM 220 / 300
- 2 CONTROL RADIO
- 3 COLUMNS
- 4 PHOTOCELLS
- 5 CONTROL UNIT
- 6 FLASHING SIGNAL LIGHTS
- 7 SWITCH

24V	DESCRIPTION	Wire	Length (1 m / 20 m)	Length (20 m / 50 m)
—	Power supply		2 x 1,5 mm ²	2 x 2,5 mm ²
—	Operating power supply		2 x 2,5 mm ²	2 x 4,0 mm ²
—	Flashing signal lights	FROR CEI 20-22 CEI	2 x 0,5 mm ²	2 x 1,0 mm ²
—	Photocell TX	EN 50267-2-1	2 x 0,5 mm ²	2 x 1,0 mm ²
—	Photocell RX	EN 50267-2-1	4 x 0,5 mm ²	4 x 1,0 mm ²
—	Key operated switch		3 x 0,5 mm ²	3 x 1,0 mm ²
—	Limit switch		3 x 0,5 mm ²	3 x 1,0 mm ²
—	Encoder		3 x 0,5 mm ²	3 x 1,0 mm ²
—	Antenna	RG58	max 20 m	max 20 m

230V	DESCRIPTION	Wire	Length (1 m / 20 m)	Length (20 m / 50 m)
—	Power supply		3G x 1,5 mm ²	3G x 2,5 mm ²
—	Operating power supply		4G x 1,5 mm ²	4G x 2,5 mm ²
—	Flashing signal lights	FROR CEI 20-22 CEI	2 x 0,5 mm ²	2 x 1,0 mm ²
—	Photocell TX	EN 50267-2-1	2 x 0,5 mm ²	2 x 1,0 mm ²
—	Photocell RX	EN 50267-2-1	4 x 0,5 mm ²	4 x 1,0 mm ²
—	Key operated switch		3 x 0,5 mm ²	3 x 1,0 mm ²
—	Limit switch		3 x 0,5 mm ²	3 x 1,0 mm ²
—	Encoder		3 x 0,5 mm ²	3 x 1,0 mm ²
—	Antenna	RG58	max 20 m	max 20 m

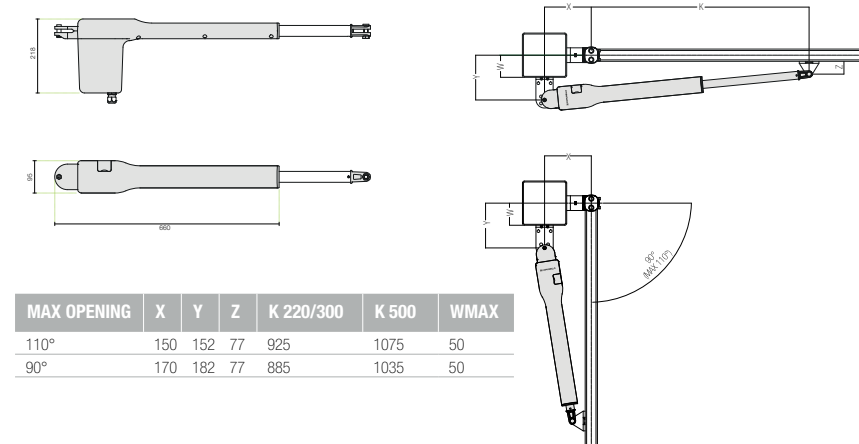
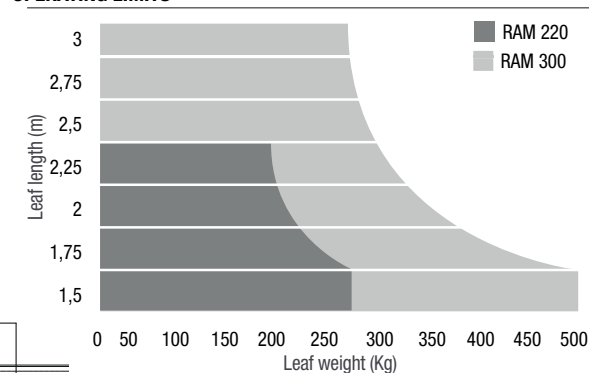


RAM 220 / 300

Telescopic reversible rod actuators for swing leaves up to 2,2 m and 3 m



OPERATING LIMITS



Accessories included:



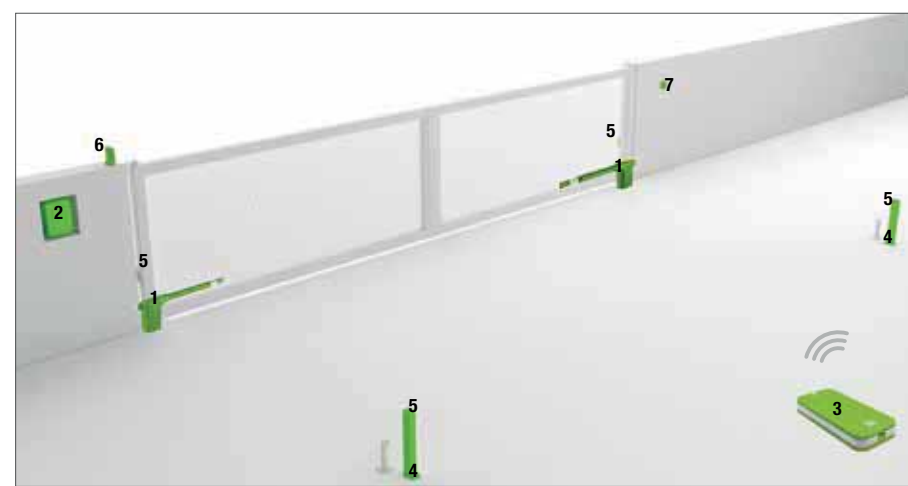
MAX OPENING	X	Y	Z	K 220/300	K 500	WMAX
110°	150	152	77	925	1075	50
90°	170	182	77	885	1035	50

RTICOLO	CODE	DESCRIPTION	PACKAGE	WEIGHT	PALETTE
■ RAM 220 24V	RM220 24V	24V for swing leaves up to 2,2 m	2 pcs.	14 kg	16
■ RAM 300 24V	RM300 24V	24V for swing leaves up to 3 m	2 pcs.	15,6 kg	16
■ RAM 300 230V	RM300 230V	230V for swing leaves up to 3 m	2 pcs.	16,6 kg	16

■ 110 VAC Power supply version on demand

INSTALLATION CHART

- 2 RAM 220 24V - GRM22000LOB00
Telescopic rod actuators 24V
- 1 QUAD 24V 2M - GQUADST2LOG00
Control unit for 2 motors 24V basic
- 1 KEEP 2 RC - GKEEP2STNOB00
2 Channels rolling code Remote control
- 2 MAST 50 - GMAST005NOG00
Extruded aluminium column h 50 cm
- 2 DART - GDARTSTDNOB00
Photocells
- 1 SWIFT - GSWIFTSTLYB00
Flashing signal lights
- 1 INDEX - GINDEXSTNOB00
Key operated switch
- 1 AC-50 - GBATTERYLOG00
Battery kit



TECHNICAL CHARACTERISTICS

Electrical information	RAM 220 24V	RAM 300 24 V	RAM 300 230 V
Power supply	24 VDC	24 VDC	230 VAC
Power consumption	70 W	110 W	280 W
Current input	3 A	5 A	1,2 A
Maximum thrust	1500 N	2000 N	1800 N
Nominal thrust	500 N	600 N	700 N
Duty cycle	30%	intensive use	40%
Protection rating (IP)	IP44	IP44	IP44
Insulation class	3 (SELV)	3 (SELV)	1 (earthing)
Working temperature	-20°C / +50°C	-20°C / +50°C	-20°C / +50°C
Speed	18 mm/s	21 mm/s	16 mm/s
Weight	7 Kg	7,8 Kg	8,3 Kg

RAM 220 / 300

ACCESSORIES from page 184



CONTROL ACCESSORIES from page 208 a 243

<p>Control unit QUAD-24V-1M / GQUADST1LOG00 QUAD-230V-1M / GQUADST1HOG00</p>	<p>Control unit QUAD-24V-2M / GQUADST2LOG00 QUAD-230V-2M / GQUADST2HOG00</p>	<p>Battery kit AC 50 / GBATTERYLOG00</p>	<p>Horizontal 12V electric lock AC 10 / GINDEXORMOG00</p>	<p>Vertical 12V electric lock AC 20 / GINDEXVRMOG00</p>
<p>Kit 5 Remote control, rolling code 2 ch. KITVICTOR / GVCTR2STNEC00</p>	<p>Remote control, rolling code 2 ch. KEEP 2 RC W / GKEEP2STNOB00 KEEP 2 RC B / GKEEP2STNOB00</p>	<p>Remote control, rolling code 4 ch. KEEP 4 RC W / GKEEP4STNOB00 KEEP 4 RC B / GKEEP4STNOB00</p>	<p>Key operated switch INDEX / GINDEXSTNOB00</p>	<p>Digital switch with keypad TACT / GTACTSTNOB00</p>

SAFETY ACCESSORIES from page 244 a 251

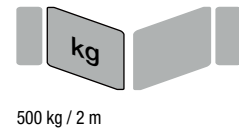
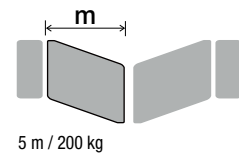
<p>Flashing signal light SWIFT YELLOW / GSWIFTSTLYB00 SWIFT WHITE / GSWIFTSTLWB00</p>	<p>Photocells DART / GDARTSTDNOB00</p>	<p>Photocells slim DART SLIM / GDARTSLMNOB00</p>	<p>Adjustable photocells DART ADJUSTABLE / GDARTADJNOB00</p>	<p>Signage table AC 40 / GSAFETYTNOG00</p>
---	--	--	--	--



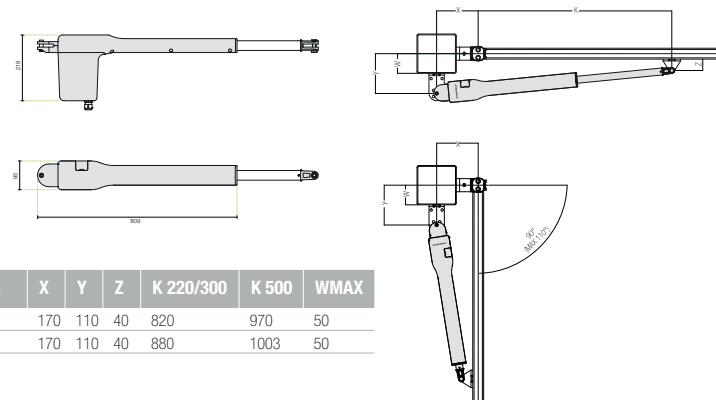
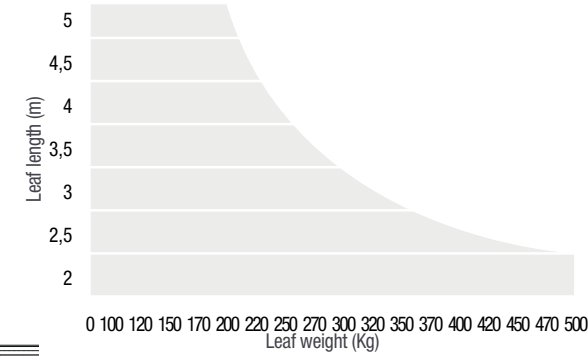
Swing gates

RAM 500

Telescopic reversible rod actuators for swing leaves up to 5 m
For 500 kg leaf weight, max leaf length is 2,00 m



OPERATING LIMITS



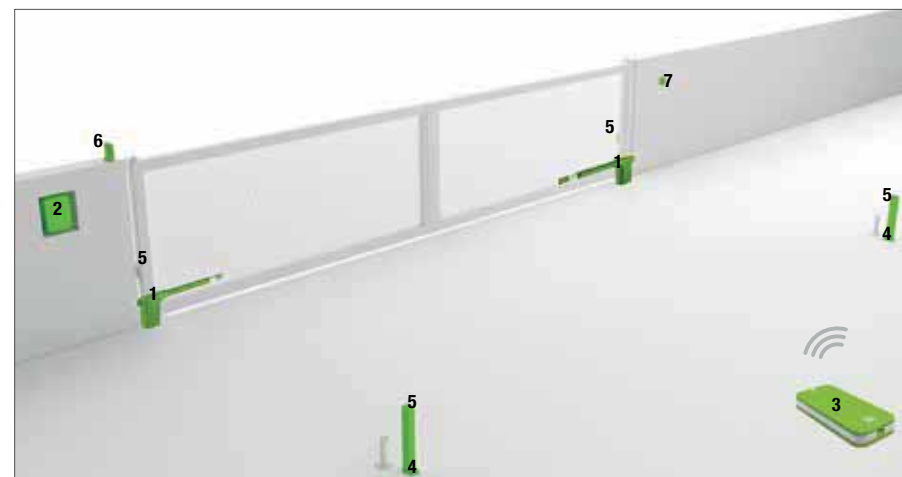
Accessories included:



MAX OPENING	X	Y	Z	K 220/300	K 500	WMAX
110°	170	110	40	820	970	50
90°	170	110	40	880	1003	50

RTICOLO	CODE	DESCRIPTION	PACKAGE	WEIGHT	PALETTE
RAM 500 24V	GRM5000LOB00	24V for swing leaves up to 5 m	2 pcs.	17,6 kg	16
RAM 500 230V	GRM5000HOB00	230V for swing leaves up to 5 m	2 pcs.	18,6 kg	16

■ 110 VAC Power supply version on demand



INSTALLATION CHART

- 2 RAM 500 24V - GRM5000LOB00
Telescopic rod actuators 24V
- 1 QUAD 24V 2M - GQUADST2LOG00
Control unit for 2 motors 24V basic
- 1 KEEP 2 RC - GKEEP2STNOB00
2 Channels rolling code Remote control
- 2 MAST 50 - GMAST005NOG00
Extruded aluminium column h 50 cm
- 2 DART - GDARTSTDNOB00
Photocells
- 1 SWIFT - GSWIFTSTLYB00
Flashing signal lights
- 1 INDEX - GINDEXSTNOB00
Key operated switch
- 1 AC-50 - GBATTERYLOG00
Battery kit

TECHNICAL CHARACTERISTICS

Electrical information	RAM500 24V	RAM500 230V
Operating power supply	24 VDC	230 VAC
Power consumption	110 W	280 W
Current input	5 A	1,2 A
Maximum thrust	1800 N	2000 N
Nominal thrust	600 N	700 N
Duty cycle	intensive use	30%
Protection rating (IP)	IP44	IP44
Insulation class	3 (SELV)	1 (earthing)
Working temperature	-20°C / +50°C	-20°C / +50°C
Speed	22 mm/s	15 mm/s
Weight	8,8 Kg	9,3 Kg

RAM 500

ACCESSORIES from page 184



Outdoor antenna
AC 30 / GANTENNANOG00

CONTROL ACCESSORIES from page 208 a 243



Control unit
QUAD-24V-HP / GQUADHP2LOG00
QUAD-230V-HP / GQUADHP2HOG00



Control unit
QUAD-24V-1M / GQUADST1LOG00
QUAD-230V-1M / GQUADST1HOG00



Control unit
QUAD-24V-2M / GQUADST2LOG00
QUAD-230V-2M / GQUADST2HOG00



Battery kit
AC 50 / GBATTERYLOG00



Horizontal 12V electric lock
AC 10 / GINDEXRMOG00



Vertical 12V electric lock
AC 20 / GINDEXVMOG00



Kit 5 Remote control, rolling code 2 ch.
KITVICTOR / GVCTR2STN600



Remote control, rolling code 2 ch.
KEEP 2 RC W / GKEEP2STNOW00
KEEP 2 RC B / GKEEP2STNOB00



Remote control, rolling code 4 ch.
KEEP 4 RC W / GKEEP4STNOW00
KEEP 4 RC B / GKEEP4STNOB00



Key operated switch
INDEX / GINDEXSTNOB00



Digital switch with keypad
TACT / GTACTSTNOB00

SAFETY ACCESSORIES from page 244 a 251



Flashing signal light
SWIFT YELLOW / GSWIFTSTLYB00
SWIFT WHITE / GSWIFTSTLYW00



Photocells
DART / GDARTSTDNOB00



Photocells slim
DART SLIM / GDARTSLMNOB00



Adjustable photocells
DART ADJUSTABLE / GDARTADJNOB00



Signage table
AC 40 / GSAFETYNOG00



RAM 220 / 300 KIT



- RAM 220
- RAM 300
- m
- 2,2 m / 150 kg
- 3,0 m / 300 kg
- kg
- 250 kg / 1 m
- 500 kg / 1,5 m

The kits contain all the parts and equipment you need to make set up and connection as easy as possible. Instruction manuals and technical information are available on our website at www.comunello.com. We also offer our service to provide expert technical support by phone. The actuator range is in compliance with CE directive (EMC, LVD, and R&TTE) and successive amendments..

ARTICLE	CODE	MOTOR CODE	DESCRIPTION	PACKAGE	WEIGHT	PALETTE
KIT RAM 220 24V	KRM220-24V	RAM 220 24V / GKRM2200LB000	Kit Ram for swing leaves up to 2,2m 24V	1 kit	18,3 kg	16
KIT RAM 300 24V	KRM300-24V	RAM 300 24V / GKRM3000LB000	Kit Ram for swing leaves up to 3m 24V	1 kit	19,9 kg	16
KIT RAM 300 230V	KRM300-230V	RAM 300 230V / GKRM3000HB000	Kit Ram for swing leaves up to 3m 230V	1 kit	19,4 kg	16

RAM 220 / 300 KIT CONTENTS

RAM 220 / 300
2 MOTORS RAM 220 / 300

QUAD 24V 2M / QUAD 230V 2M
Control unit

INDEX
Key operated switch

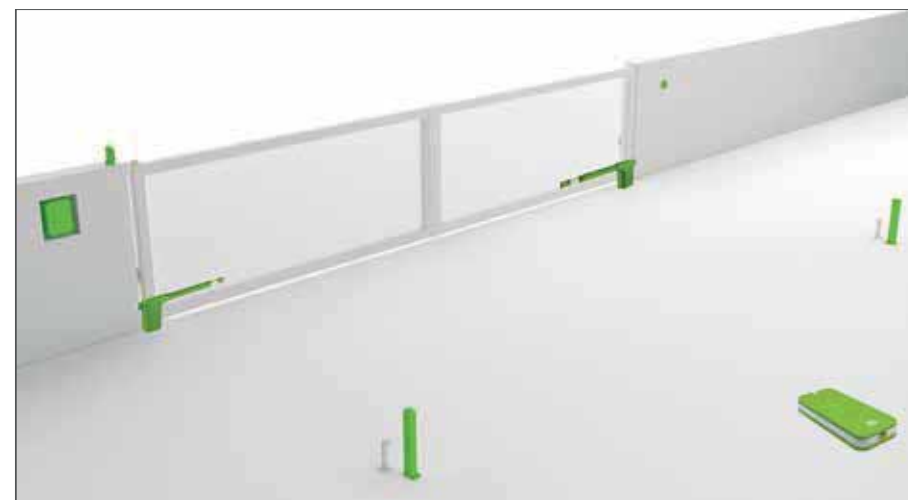
KEEP 2 RC
2 ch. radio control unit

DART
Photocells

SWIFT-Y
Flashing signal lights

AC 40
Signage table

Accessories included



RAM 500 KIT



- m
- 5 m / 400 kg
- kg
- 500 kg / 3,25 m

The kits contain all the parts and equipment you need to make set up and connection as easy as possible. Instruction manuals and technical information are available on our website at www.comunello.com. We also offer our service to provide expert technical support by phone. The actuator range is in compliance with CE directive (EMC, LVD, and R&TTE) and successive amendments..

ARTICLE	CODE	MOTOR CODE	DESCRIPTION	PACKAGE	WEIGHT	PALETTE
KIT RAM 500 24V	KRM500-24V	RAM 500 24V / GKRM5000LB000	Kit Ram for swing leaves up to 5m 24V	1 kit	21,9 kg	9
KIT RAM 500 230V	KRM500-230V	RAM 500 230V / GKRM5000HB000	Kit Ram for swing leaves up to 5m 230V	1 kit	21,4 kg	9

RAM 500 KIT CONTENTS

RAM 500
2 MOTORS RAM 5 00

QUAD 24V 2M / QUAD 230V 2M
Control unit

INDEX
Key operated switch

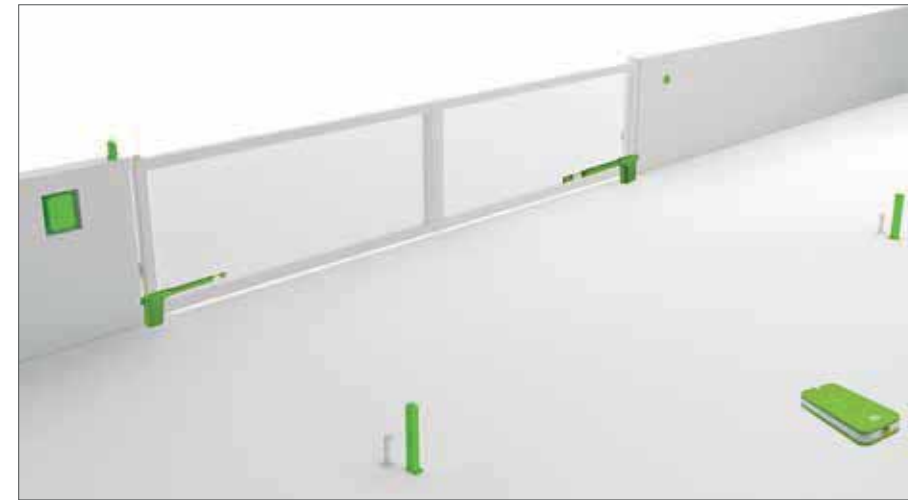
KEEP 2 RC
2 ch. radio control unit

DART
Photocells

SWIFT-Y
Flashing signal lights

AC 40
Signage table

Accessories included



2 Sliding and cantilever gates



FORT 400 / 500

100



FORT 600/700/1000/1500

108



FORT DUAL 1000

116

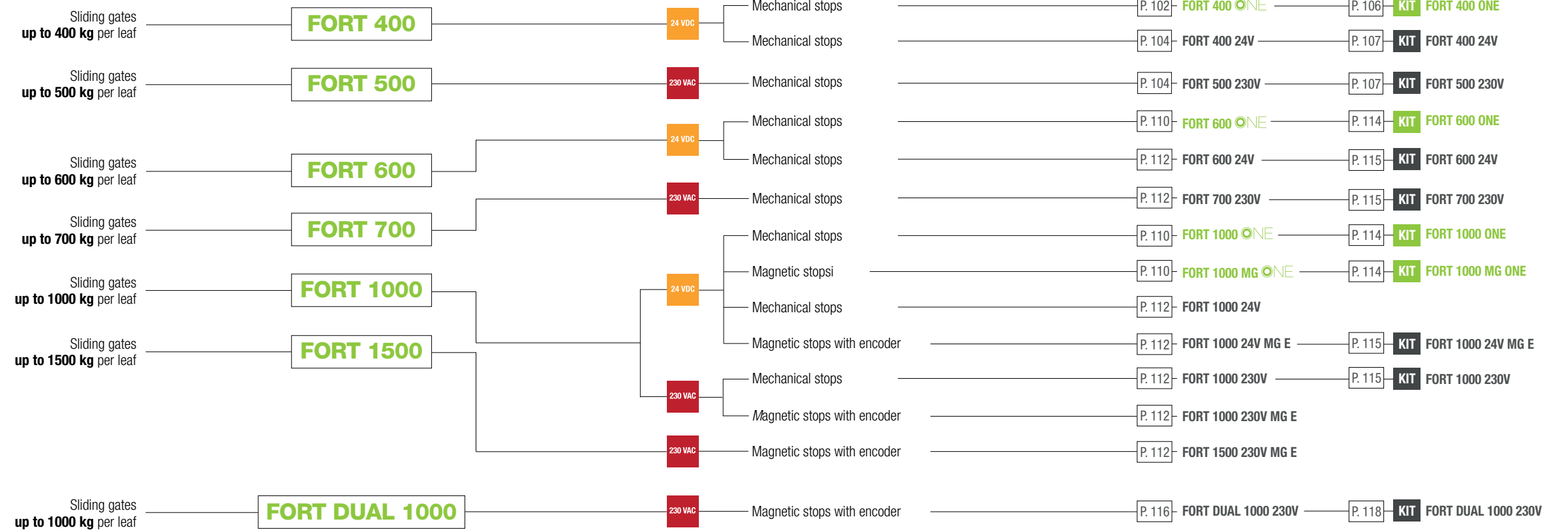


FORT 3500

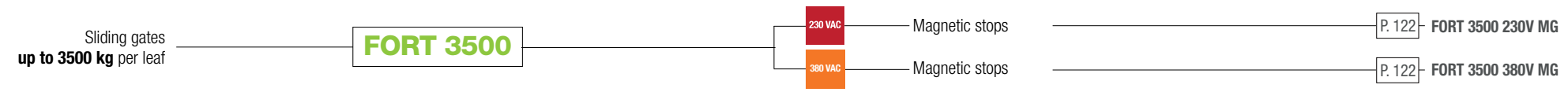
120



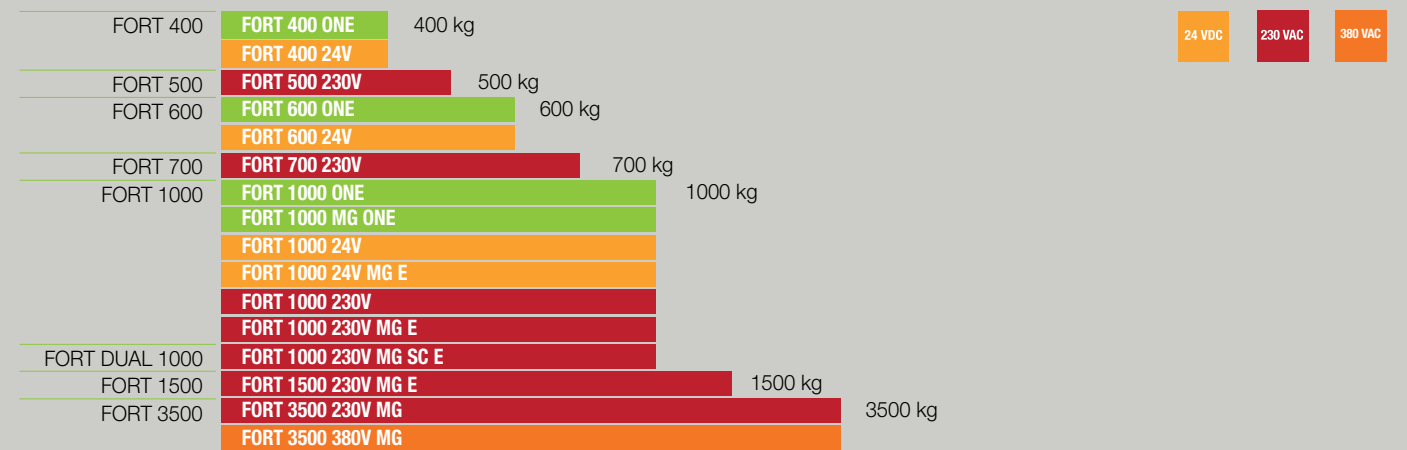
FORT



FORT



Selection guide by weight



Dimensions refer to Weight

FORT 400 / 500

Electromechanical actuators for residential sliding gates up to 400 and 500 Kg



Electromechanical actuators for residential and industrial sliding gates

In residential and industrial contexts actuators from the Fort series provide an attractive and intelligent solution. The on-board control panel provides access to a vast range of features including obstacle detection and programmable

operation times. The receiver is built in to the control panel. The motor support bushings guarantee silent movement even under full load.



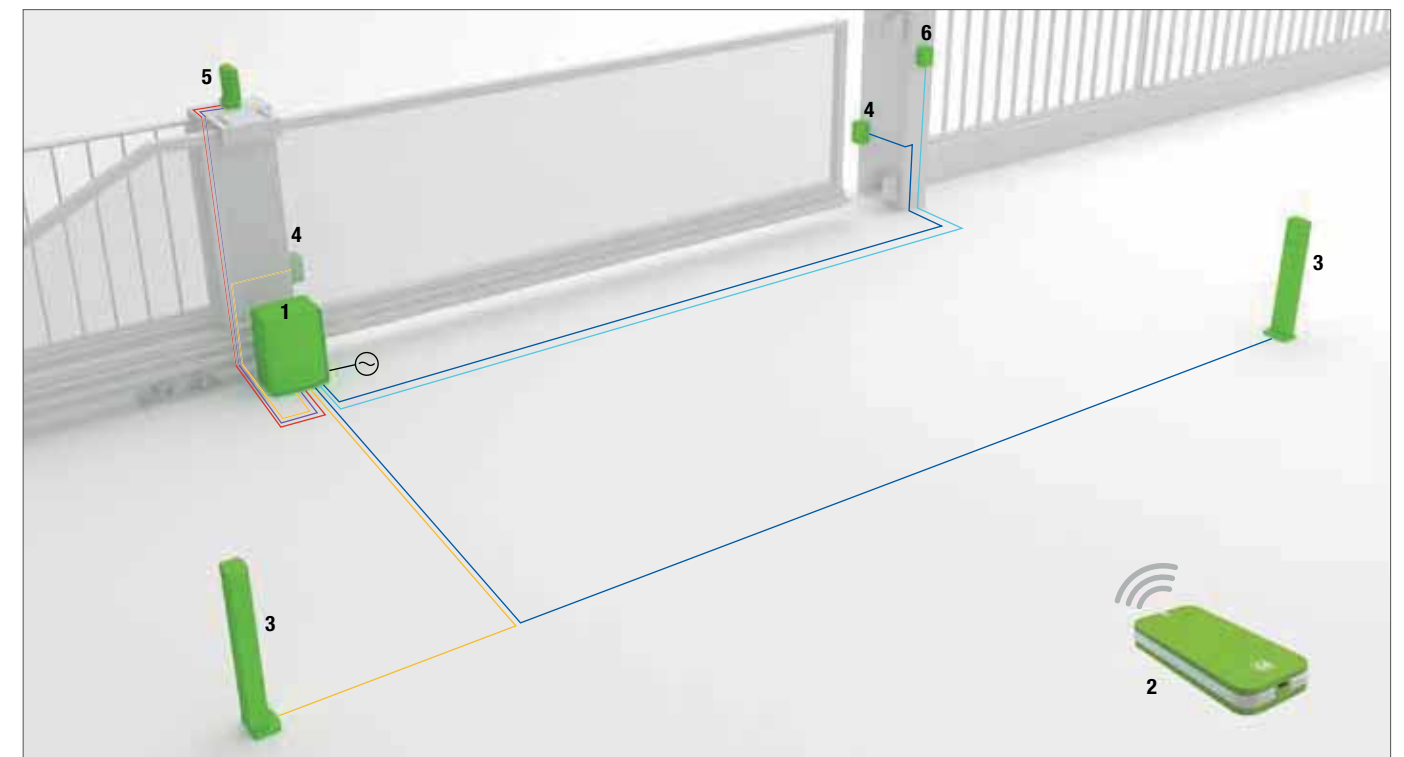
GENERAL INFORMATION

- **24 VDC and 230 VAC versions.**
24 VDC and 230 VAC irreversible motors
- **Durability**
Easy-opening release mechanism with aluminium handle. Practical, functional support and electronics casing. Versions with bronze gearings are available
- **Versions with lever available.**
- **Smart**
Height and plane adjustable. Obstacle detection. Automatic programmable timer with built-in receiver. Silent with dampened motorreductor
- **Available in kit form**
- **Control board**
Electronic control unit prewired. Trimmer adjustments for easy reading. Programmable automatic / semi-automatic limit switch, timer and reduced speeds. Built-in receiver.



Sliding and cantilever gates

INSTALLATION CHART



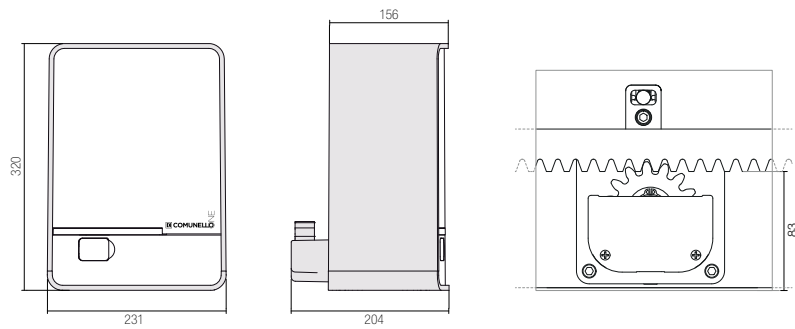
- 1 FORT 400 / 500
- 2 CONTROL RADIO
- 3 COLUMNS
- 4 PHOTOCELLS
- 5 SIGNAL LIGHT
- 6 SWITCH

24V	DESCRIPTION	Wire	Length (1 m / 20 m)	Length (20 m / 50 m)
—	Power supply		2 x 1,5 mm ²	2 x 2,5 mm ²
—	Flashing signal lights	FROR CBI 20-22 CEI	2 x 0,5 mm ²	2 x 1,0 mm ²
—	Photocell TX	EN 50267-2-1	2 x 0,5 mm ²	2 x 1,0 mm ²
—	Photocell RX		4 x 0,5 mm ²	4 x 1,0 mm ²
—	Key operated switch		3 x 0,5 mm ²	3 x 1,0 mm ²
—	Antenna	RG58	max 20 m	max 20 m

230V	DESCRIPTION	Wire	Length (1 m / 20 m)	Length (20 m / 50 m)
—	Power supply		3G x 1,5 mm ²	3G x 2,5 mm ²
—	Flashing signal lights	FROR CBI 20-22 CEI	2 x 0,5 mm ²	2 x 1,0 mm ²
—	Photocell TX	EN 50267-2-1	2 x 0,5 mm ²	2 x 1,0 mm ²
—	Photocell RX		4 x 0,5 mm ²	4 x 1,0 mm ²
—	Key operated switch		3 x 0,5 mm ²	3 x 1,0 mm ²
—	Antenna	RG58	max 20 m	max 20 m

FORT 400 ONE

Electromechanical actuators for residential sliding gates up to 400 Kg



ONE TECHNOLOGY

ARTICLE	PRODUCT CODE	DESCRIPTION	PACKAGE	WEIGHT	PALETTE
■ FORT 400 24V ONE	G1F040MEL0B00	24V for sliding gates mechanical limit switches	1 pcs.	8,9 kg	36



INSTALLATION CHART

- 1 FORT 400 24V ONE** - G1F040MEL0B00
24V mechanical limit switches
- 1 KEEP 2 RC** - GKEEP2STNOB00
2 channel radio control unit
- 2 MAST 50** - GMAST005NOG00
Extruded aluminium column h 50 cm
- 2 DART ONE** - G1DARTSTNOB00
External photocells DART RX+TX ONE
- 1 SWIFT ONE** - G1SWIFTSTYB00
Flashing signal lights
- 1 INDEX ONE** - G1INDEXSTOB00
Key-operated switch
- 1 AC-40** - GSAFETYNOG00
Signage table
- 1 AC-51** - G1BATTERLOG00
Battery kit

TECHNICAL CHARACTERISTICS

Electrical information	FORT 400 ONE
Power supply	230 VAC 50 Hz
Operating power supply	24 VDC
Power consumption	70 W
Current input	3,0 A
Maximum thrust	350 N
Duty cycle	intensive use
Protection rating(IP)	IP44
Insulation class	2
Working temperature	-20°C / +50°C
Weight max of gate	400 Kg
Rack module	M4
Speed	0,12 m/s
Weight	8,9 Kg

FORT 400 ONE

ACCESSORIES from page 190 a 191



CONTROL ACCESSORIES from page 208 a 243

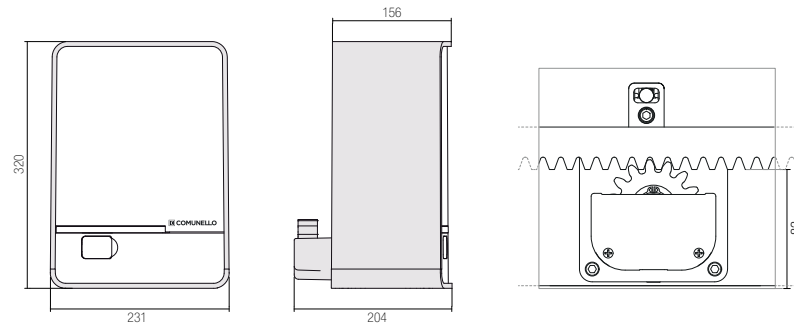


SAFETY ACCESSORIES from page 244 a 251



FORT 400 / 500

Electromechanical actuators for residential sliding gates up to 400kg e 500kg



ARTICLE	PRODUCT CODE	DESCRIPTION	PACKAGE WEIGHT	PALETTE
★ FORT 400 24V	GFT040MCL0B00	24V for sliding gates mechanical limit switches up to 400 Kg	1 pcs. 8,9 kg	36
★ FORT 500 230V	GFT050MCH0B00	230V for sliding gates mechanical limit switches up to 500 Kg	1 pcs. 9,9 kg	36

* Possibility to modified from mechanical limit switches to magnetic limit switches



INSTALLATION CHART

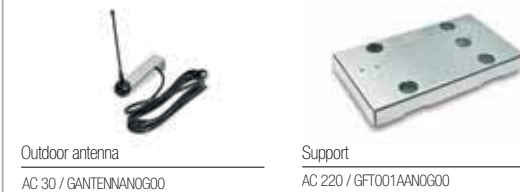
- 1 FORT 400 24V - GFT040MCL0B00**
24V mechanical limit switches
- 1 KEEP 2 RC - GKEEP2STNOB00**
2 channel radio control unit
- 2 MAST 50 - GMAST005NOG00**
Extruded aluminium column h 50 cm
- 2 DART - GDARTSTDNOB00**
External photocells
- 1 SWIFT - GSWIFTSTLYB00**
Flashing signal lights
- 1 INDEX - GINDEXSTNOB00**
Key-operated switch
- 1 AC-40 - GSAFETYNOG00**
Signage table
- 1 AC-50 - GBATTERYLOG00**
Battery kit

TECHNICAL CHARACTERISTICS

Electrical information	FORT 400	FORT 500
Power supply	230 VAC 50 Hz	230 VAC 50 Hz
Operating power supply	24 VDC	230 VAC
Power consumption	70 W	280 W
Current input	3,0 A	1,2 A
Maximum thrust	350 N	450 N
Duty cycle	intensive use	50%
Protection rating (IP)	IP44	IP44
Insulation class	1 (earthing)	1 (earthing)
Working temperature	-20°C / +50°C	-20°C / +50°C
Max weight of gate	400 Kg	500 Kg
Rack module	M4	M4
Speed	0,12 m/s	0,17 m/s
Weight	8,9 Kg	9,9 Kg

FORT 400 / 500

ACCESSORIES from page 190 a 191



CONTROL ACCESSORIES from page 208 a 243



SAFETY ACCESSORIES from page 244 a 251





FORT 400 ONE KIT

ONE TECHNOLOGY

The kits contain all the parts and equipment you need to make set up and connection as easy as possible. Instruction manuals and technical information are available on our website at www.comunello.com. We also offer our service to provide expert technical support by phone. The actuator range is in compliance with CE directive (EMC, LVD, and R&TTE) and successive amendments.



ARTICLE	CODE	MOTOR CODE	DESCRIPTION	PACKAGE	WEIGHT	PALETTE
KIT FORT 400 ONE	GK1F040MLB000	FORT 400 ONE / G1F040MELOB00	Kit Fort 400 One for sliding gates	1 kit	9,5 kg	36

FORT 400 ONE KIT CONTENTS



FORT 400 ONE
1 FORT motor 400 ONE



KEEP 2 RC
2 2ch. radio control unit



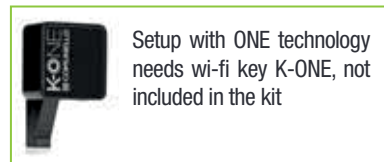
DART ONE
Photocells



SWIFT-Y ONE
Flashing signal lights



AC 40
Signage table



FORT 400 / 500 KIT



The kits contain all the parts and equipment you need to make set up and connection as easy as possible. Instruction manuals and technical information are available on our website at www.comunello.com. We also offer our service to provide expert technical support by phone. The actuator range is in compliance with CE directive (EMC, LVD, and R&TTE) and successive amendments.

ARTICLE	CODE	MOTOR CODE	DESCRIPTION	PACKAGE	WEIGHT	PALETTE
KIT FORT 400 24V	GKFT040MLB000	FORT 400 24V / GFT040MCL0B00	Kit Fort 400 24V for sliding gates	1 kit	9,5 kg	36
KIT FORT 500 230V	GKFT050MHB000	FORT 500 230V / GFT050MCH0B00	Kit Fort 400 230V for sliding gates	1 kit	10,5 kg	36

FORT 400 / 500 CONTENUTO DEL KIT



FORT 400 / 500
1 FORT motor 400 / 500



INDEX
Key operated switch



KEEP 2 RC
2 ch. radio control unit



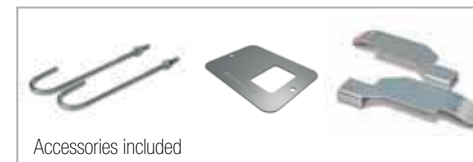
DART
Photocells



SWIFT-Y
Flashing signal lights



AC 40
Signage table





FORT 600 / 700 / 1000 / DUAL 1000 / 1500

Electromechanical actuators for residential and industrial sliding gates up to 600/700/1000/1500 Kg



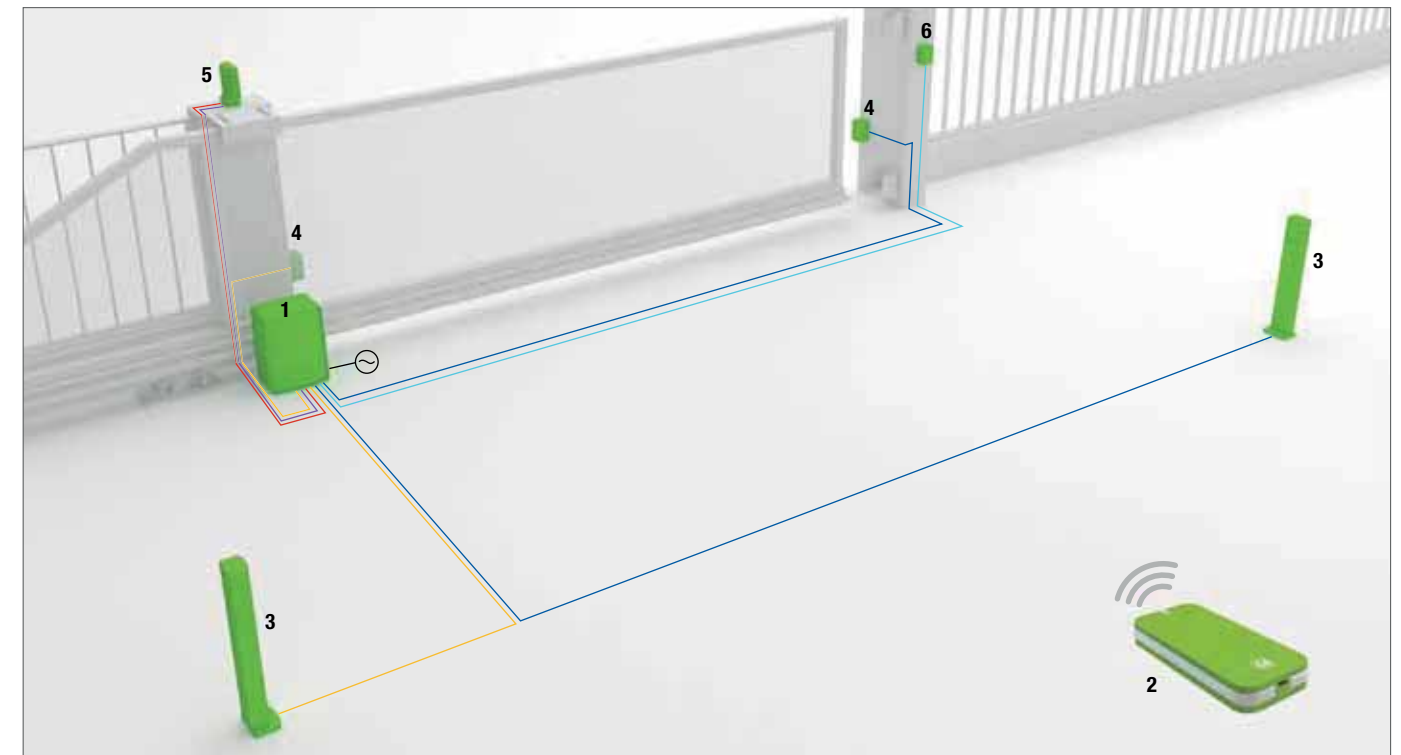
GENERAL INFORMATION

- **24 VDC and 230 VAC versions.**
24 VDC and 230 VAC irreversible motors
- **Durability**
Easy-opening release mechanism with aluminium handle. Practical, functional support and electronics casing. Versions with bronze gearings are available
- **Versions with lever or magnetic limit switch available**
- **Smart**
Height and plane adjustable. Obstacle detection. Automatic programmable timer with built-in receiver. Silent with dampened motorreductor
- **Available in kit form**
- **Control board**
Electronic control unit prewired. Trimmer adjustments for easy reading. Programmable automatic / semi-automatic limit switch, timer and reduced speeds. Built-in receiver..

24 VDC 230 VAC KIT

Sliding and cantilever gates

INSTALLATION CHART



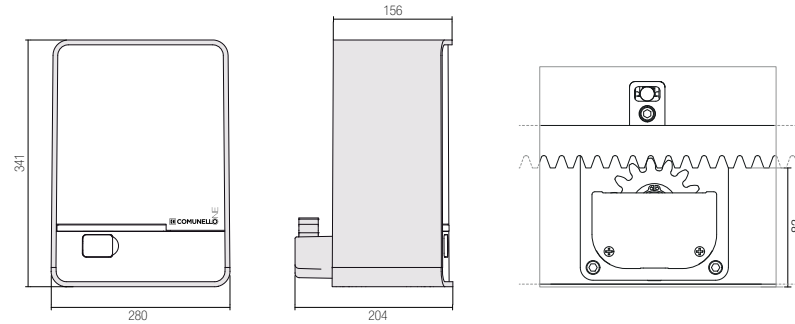
- 1 FORT 600 / 700 / 1000 / 1500
- 2 CONTROL RADIO
- 3 COLUMNS
- 4 PHOTOCELLS
- 5 FLASHING SIGNAL LIGHTS
- 6 KEY OPERATED SWITCH

24V	DESCRIPTION	Wire	Length (1 m / 20 m)	Length (20 m / 50 m)
Black	Power supply		2 x 1,5 mm ²	2 x 2,5 mm ²
Purple	Flashing signal lights	FROR CEI 20-22 CEI	2 x 0,5 mm ²	2 x 1,0 mm ²
Yellow	Photocell TX	EN 50267-2-1	2 x 0,5 mm ²	2 x 1,0 mm ²
Blue	Photocell RX		4 x 0,5 mm ²	4 x 1,0 mm ²
Cyan	Key operated switch		3 x 0,5 mm ²	3 x 1,0 mm ²
Red	Antenna	RG58	max 20 m	max 20 m

230V	DESCRIPTION	Wire	Length (1 m / 20 m)	Length (20 m / 50 m)
Black	Power supply		3G x 1,5 mm ²	3G x 2,5 mm ²
Purple	Flashing signal lights	FROR CEI 20-22 CEI	2 x 0,5 mm ²	2 x 1,0 mm ²
Yellow	Photocell TX	EN 50267-2-1	2 x 0,5 mm ²	2 x 1,0 mm ²
Blue	Photocell RX		4 x 0,5 mm ²	4 x 1,0 mm ²
Cyan	Key operated switch		3 x 0,5 mm ²	3 x 1,0 mm ²
Red	Antenna	RG58	max 20 m	max 20 m

FORT 600 / 1000 ONE

Electromechanical actuators for residential and industrial sliding gates up to 600/1000 Kg



ONE TECHNOLOGY

ARTICLE	CODE PRODOTTO	DESCRIPTION	PACKAGE	WEIGHT	PALETTE	PREZZO
■ FORT 600 ONE	G1F060MELOB00	24V Electromechanical limit switches, sliding gates up to 600 kg	1 pcs.	10,6 kg	36	
■ FORT 1000 24V ONE	G1F100MELOB00	24V Electromechanical limit switches, sliding gates up to 1000 kg	1 pcs.	12 kg	36	
■ FORT 1000 24V MG ONE	G1F100GELOB00	24V Magnetic limit switches for sliding gates, Weight maxi 1000 kg	1 pcs.	12 kg	36	



INSTALLATION CHART

- 1 FORT 1000 24V MG ONE - G1F100GELOB00**
1 24V Magnetic sensor for sliding gates, Weight maxi 1000 kg
- 1 KEEP 2 RC - GKEEP2STNOB00**
2 Channels rolling code Remote control
- 2 MAST 50 - GMAST005NOG00**
Extruded aluminium column h 50 cm
- 2 DART ONE - G1DARTSTNOB00**
Photocells DART RX+TX ONE
- 1 SWIFT ONE - G1SWIFTSTYB00**
Flashing signal light
- 1 INDEX ONE - G1INDEXSTOB00**
Key operated switch
- 1 AC-40 - GSAFETYNOG00**
Signage table
- 1 AC-51 - G1BATTERLOG00**
Battery kit

TECHNICAL CHARACTERISTICS

Electrical information	FORT 600 ONE	FORT 1000 ONE
Power supply	230 VAC 50 Hz	230 VAC 50 Hz
Operating power supply	24 VDC	24 VDC
Power consumption	110 W	150 W
Current input	5,0 A	6,2 A
Maximum thrust	550 N	900 N
Duty cycle	intensive use	intensive use
Protection rating(IP)	IP44	IP44
Insulation class	2	2
Working temperature	-20°C / +50°C	-20°C / +50°C
Weight max of gate	600 Kg	1000 Kg
Rack module	M4	M4
Speed	0,17 m/s	0,17 m/s
Weight	10,6 Kg	12 Kg

FORT 600/1000 ONE

ACCESSORIES from page 190 a 191



CONTROL ACCESSORIES from page 208 a 243

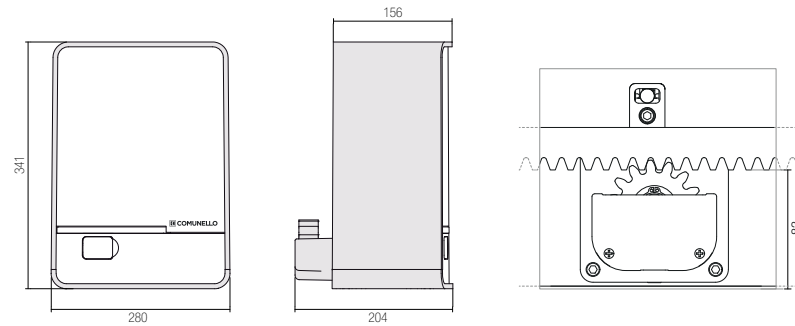


SAFETY ACCESSORIES from page 244 a 251



FORT 600 / 700 / 1000 / 1500

Electromechanical actuators for residential and industrial sliding gates up to 600/700/1000/1500 Kg



ARTICLE	CODE	DESCRIPTION	PACKAGE	WEIGHT	PALETTE
★ FORT 600 24V	GFT060MCL0B00	24V Electromechanical limit switches, sliding gates up to 600 kg	1 pcs.	10,6 kg	36
★ FORT 700 230V	GFT070MCH0B00	230V Electromechanical limit switches, sliding gates up to 700 kg	1 pcs.	11,6 kg	36
★ FORT 1000 24V	GFT100MCL0B00	24V Electromechanical limit switches, sliding gates up to 1000 kg	1 pcs.	12 kg	36
FORT 1000 24V MG E	GFT100GCL0B00	24V Magnetic limit switches with encoder, sliding gates up to 1000 kg	1 pcs.	12 kg	36
★ FORT 1000 230V	GFT100MCH0B00	230V Electromechanical limit switches, sliding gates up to 1000 kg	1 pcs.	12,4 kg	36
FORT 1000 230V MG E	GFT100GCH0B00	230V Magnetic limit switches with encoder, sliding gates up to 1000 kg	1 pcs.	12,4 kg	36
★ FORT 1500 230V MG E	GFT150GCH0B00	230V Magnetic limit switches with encoder, sliding gates up to 1500 kg	1 pcs.	12,6 kg	36

* Possibility to modify from mechanical limit switches to magnetic limit switches



INSTALLATION CHART

- 1 FORT 1000 24V MG E - GFT100GCH0B00**
24V Magnetic limit switches with encoder, sliding gates up to 1000 kg
- 1 KEEP 2 RC - GKEEP2STNOB00**
2 Channels rolling code Remote control
- 2 MAST 50 - GMAST005NOG00**
Extruded aluminium column h 50 cm
- 2 DART - GDARTSTDNOB00**
Photocells
- 1 SWIFT - GSWIFTSTLYB00**
Flashing signal lights
- 1 INDEX - GINDEXSTNOB00**
Key operated switch standard
- 1 AC-40 - GSAFETYNOG00**
Signage table
- 1 AC-50 - GBATTERYLOG00**
Battery kit

TECHNICAL CHARACTERISTICS

Electrical information	FORT 600 24V	FORT 700 230V	FORT 1000 24V	FORT 1000 230V	FORT 1500 230V
Power supply	230 VAC 50 Hz	230 VAC 50 Hz	230 VAC 50 Hz	230 VAC 50 Hz	230 VAC 50 Hz
Operating power supply	24 VDC	230 VAC	24 VDC	230 VAC	230 VAC
Power consumption	110 W	300 W	150 W	340 W	460 W
Current input	5,0 A	1,3 A	6,2 A	1,5 A	2,0 A
Maximum thrust	550 N	600 N	900 N	900 N	1400 N
Duty cycle	intensive use	50%	intensive use	50%	50%
Protection rating (IP)	IP44	IP44	IP44	IP44	IP44
Insulation class	2	1 (earthing)	2	1 (earthing)	1 (earthing)
Working temperature	-20°C / +50°C	-20°C / +50°C	-20°C / +50°C	-20°C / +50°C	-20°C / +50°C
Weight max of gate	600 Kg	700 Kg	1000 Kg	1000 Kg	1500 Kg
Rack module	M4	M4	M4	M4	M4
Speed	0,17 m/s	0,17 m/s	0,17 m/s	0,17 m/s	0,17 m/s
Weight	10,6 Kg	12 Kg	12 Kg	12,4 Kg	12,6 Kg

FORT 600 / 700 / 1000 / 1500

ACCESSORIES from page 190 a 191



CONTROL ACCESSORIES from page 208 a 243



SAFETY ACCESSORIES from page 244 a 251



FORT 600/1000 ONE KIT

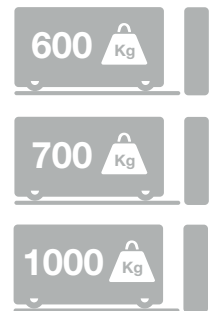


The kits contain all the parts and equipment you need to make set up and connection as easy as possible. Instruction manuals and technical information are available on our website at www.comunello.com. We also offer our service to provide expert technical support by phone. The actuator range is in compliance with CE directive (EMC, LVD, and R&TTE) and successive amendments.



ARTICLE	CODE	MOTOR CODE	DESCRIPTION	PACKAGE	WEIGHT	PALETTE
KIT FORT 600 ONE	GK1F060MLB000	FORT 600 ONE / G1F060MEL0B00	Kit Fort 600 One for sliding gates	1 kit	11,2 kg	36
KIT FORT 1000 ONE	GK1F100MLB000	FORT 1000 ONE / G1F100MEL0B00	Kit Fort 1000 One for sliding gates	1 kit	13 kg	36
KIT FORT 1000 ONE MG	GK1F100GLB000	FORT 1000 MG ONE / G1F100GEL0B00	Kit Fort 1000 One Magnetic limit switches	1 kit	13 kg	36

FORT 600/700/1000 KIT



The kits contain all the parts and equipment you need to make set up and connection as easy as possible. Instruction manuals and technical information are available on our website at www.comunello.com. We also offer our service to provide expert technical support by phone. The actuator range is in compliance with CE directive (EMC, LVD, and R&TTE) and successive amendments.

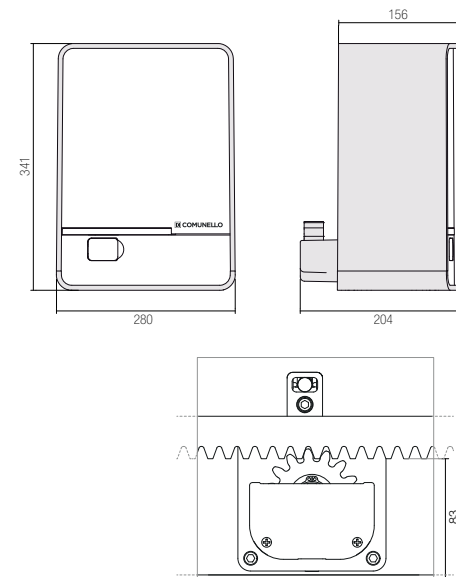
ARTICLE	CODE	MOTOR CODE	DESCRIPTION	PACKAGE	WEIGHT	PALETTE
KIT FORT 600 24V	GKFT060MLB000	FORT 600 24V / GFT060MCL0B00	Kit Fort 600 24V for sliding gates	1 kit	11,2 kg	36
KIT FORT 700 230V	GKFT070MHB000	FORT 700 230V / GFT070MCH0B00	Kit Fort 700 230V for sliding gates	1 kit	12,2 kg	36
KIT FORT 1000 24V	GKFT100MLB000	FORT 1000 24V MG E / GFT100GCL0B00	Kit Fort 1000 24V for sliding gates	1 kit	13,0 kg	36
KIT FORT 1000 230V	GKFT100MHB000	FORT 1000 230V / GFT100MCH0B00	Kit Fort 1000 230V for sliding gates	1 kit	13,0 kg	36

FORT 600 / 700 / 1000 CONTENUTO DEL KIT

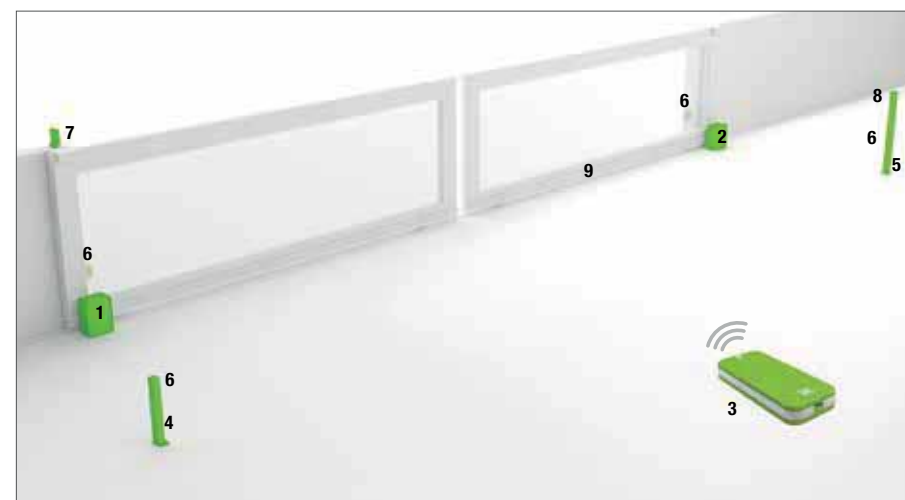


FORT DUAL 1000

2 leaves electromechanical actuators for industrial sliding gates up to 1000 Kg per leaf



ARTICLE	CODE	DESCRIPTION	PACKAGE	WEIGHT	PALETTE
■ FORT 1000 230V MG E (master)	GFT100GCH0B00	230V Magnetic limit switches with encoder for sliding gates, Weight max 1000 kg	1 pcs.	11,7 kg	36
■ FORT 1000 230V MG SC E (slave)	GFT100G0H0B00	230V Magnetic limit switches without Control unit for sliding gates, Weight max 1000 kg	1 pcs.	12,4 kg	36



INSTALLATION CHART	
1	FORT DUAL 1000 MG E - GFT100GCH0B00 Master
2	FORT DUAL 1000 MG SC E - GFT100G0H0B00 Slave
3	KEEP 2 RC - GKEEP2STNOB00 2 Channels rolling code Remote control
4	MAST 50 - GMAST005NOG00 Extruded aluminium column h 50 cm
5	MAST TWIN 100 - GMAST005NOG00 Extruded aluminium column h 1 meter for photocells and control accessories installation
6	DART - GDARTSTDNOB00 Photocells
7	SWIFT - GSWIFTSTLYB00 Flashing signal lights
8	INDEX - GINDEXSTNOB00 Key operated switch standard

TECHNICAL CHARACTERISTICS

Electrical information	FORT DUAL 1000
Power supply	230 VAC 50 Hz
Operating power supply	230 VAC
Power consumption	340 W
Current input	1,5 A
Maximum thrust	900 N
Duty cycle	50%
Protection rating (IP)	IP44
Insulation class	1 (earthing)
Working temperature	-20°C / +50°C
Weight max of gate	1000 Kg
Rack module	M4
Speed	0,17 m/s
Weight	12,4 Kg

FORT 1000 DUAL

ACCESSORIES from page 190 a 191



CONTROL ACCESSORIES from page 208 a 243



SAFETY ACCESSORIES from page 244 a 251










FORT DUAL 1000 KIT

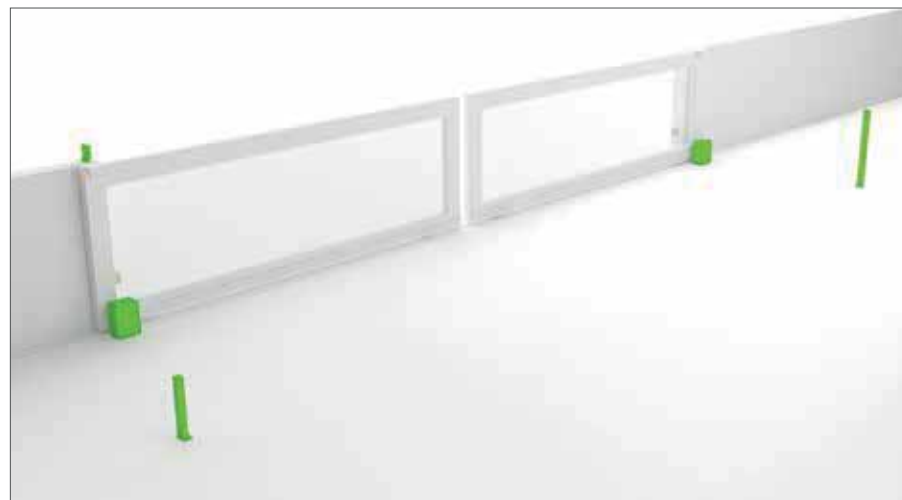


The kits contain all the parts and equipment you need to make set up and connection as easy as possible. Instruction manuals and technical information are available on our website at www.comunello.com. We also offer our service to provide expert technical support by phone. The actuator range is in compliance with CE directive (EMC, LVD, and R&TTE) and successive amendments.

ARTICLE	CODE	MOTOR CODE	DESCRIPTION	PACKAGE	WEIGHT	PALETTE
KIT FORT DUAL 1000 230V	GKFT100DHB00	FORT 1000 230V MG GFT100G0H0B00 / GFT100GCH0B00	Kit Fort 1000 230V 2 leaves sliding gates	1 kit	25,2 kg	18

FORT DUAL 1000 KIT CONTENTS

 FORT 1000 MG 1 FORT motor 1000 MG	 FORT 1000 MG SC 1 FORT motor 1000 MG SC	 INDEX Key operated switch	 KEEP 2 RC 2 ch. radio control unit	 DART Photocells
 SWIFT-Y Flashing signal lights	 AC 40 Signage table	 Accessories included x2		



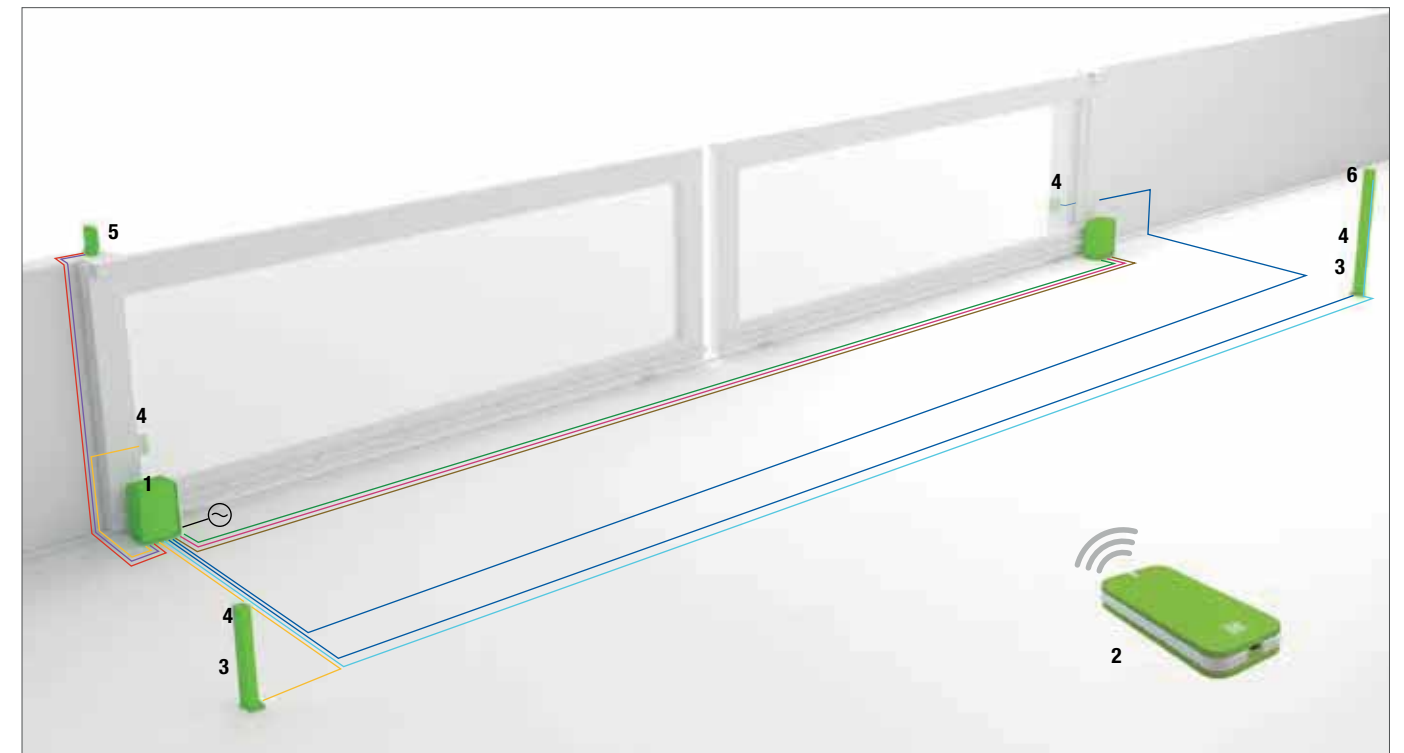
GENERAL INFORMATION

- **Versione 230 VAC.**
Motore irreversibile, 230V
- **Durability**
Easy-opening release mechanism with aluminium handle. Practical, functional support and electronics casing. Versions with bronze gearings are available
- **Versions with lever or magnetic limit switch available**
- **Smart**
Height and plane adjustable. Obstacle detection. Automatic programmable timer with built-in receiver. Silent with dampened motorreductor
- **Available in kit form**
- **Control board**
Electronic control unit prewired. Trimmer adjustments for easy reading. Programmable automatic / semi-automatic limit switch, timer and reduced speeds. Built-in receiver..

230 VAC KIT

Sliding and cantilever gates

INSTALLATION CHART



- 1 FORT DUAL 1000
- 2 CONTROL RADIO
- 3 COLUMNS
- 4 PHOTOCELLS
- 5 FLASHING SIGNAL LIGHTS
- 6 KEY OPERATED SWITCH

230V	DESCRIPTION	Wire	Length (1 m / 20 m)	Length (20 m / 50 m)
Black	Power supply		3G x 1,5 mm ²	3G x 2,5 mm ²
Green	Operating power supply		4G x 1,5 mm ²	4G x 2,5 mm ²
Purple	Flashing signal lights	FFOR CEI	2 x 0,5 mm ²	2 x 1,0 mm ²
Yellow	Photocell TX	20-22 CEI	2 x 0,5 mm ²	2 x 1,0 mm ²
Blue	Photocell RX	EN 50267-	4 x 0,5 mm ²	4 x 1,0 mm ²
Cyan	Key operated switch	2-1	3 x 0,5 mm ²	3 x 1,0 mm ²
Pink	Limit switch		3 x 0,5 mm ²	3 x 1,0 mm ²
Brown	Encoder		3 x 0,5 mm ²	3 x 1,0 mm ²
Red	Antenna	RG58	max 20 m	max 20 m

FORT 3500

Electromechanical actuators for industrial sliding gates up to 3500 Kg



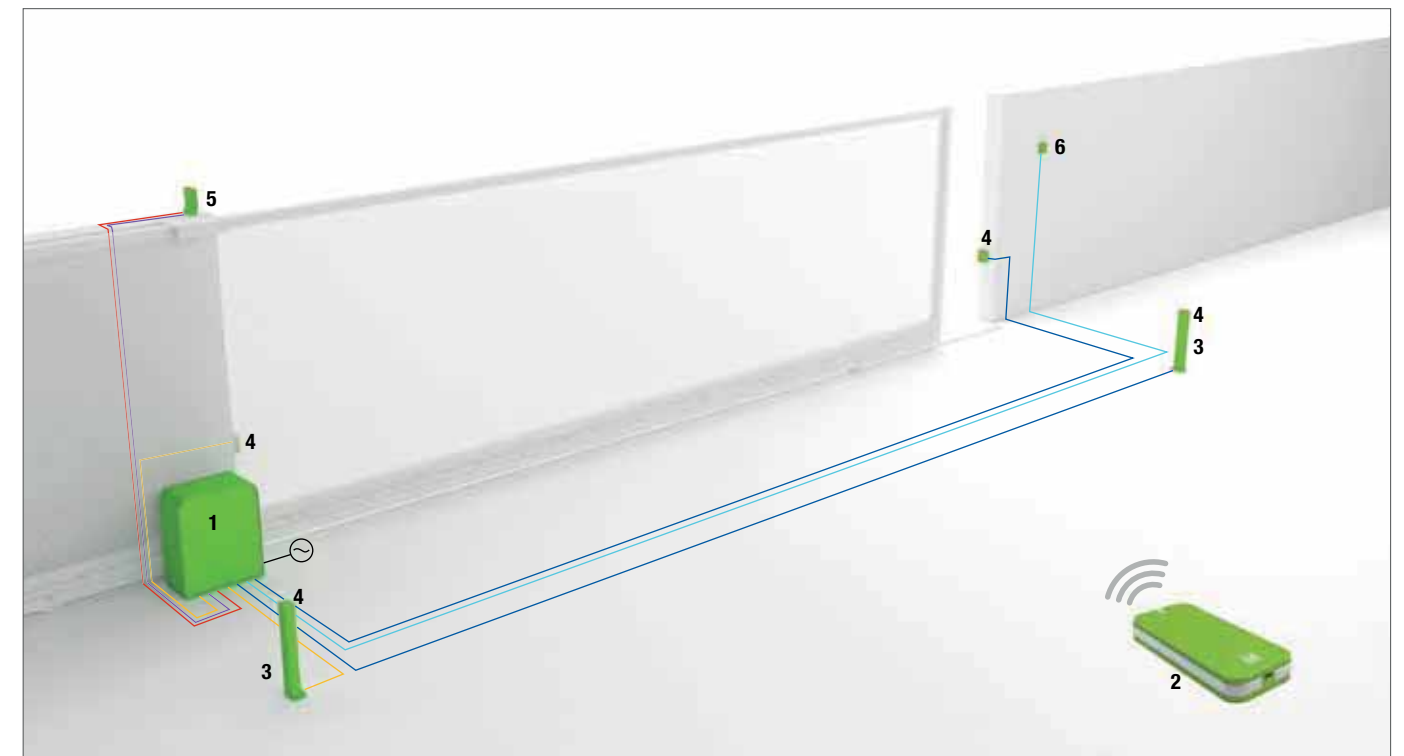
GENERAL INFORMATION

- **230 VDC and 380 VAC versions.**
Irreversible motors, 230 VDC & 380 VAC
- **Magnetic limit switch**
- **Durable**
Pressed steel casing with monophase and three-phase motorreductor. Metal and bronze gearings. Key-operated opening. Easy access to robust, practical release lever
- **Practical and safe**
Electromechanical brake, auto-ventilated motor

24 VDC 380 VAC

Sliding and cantilever gates

INSTALLATION CHART

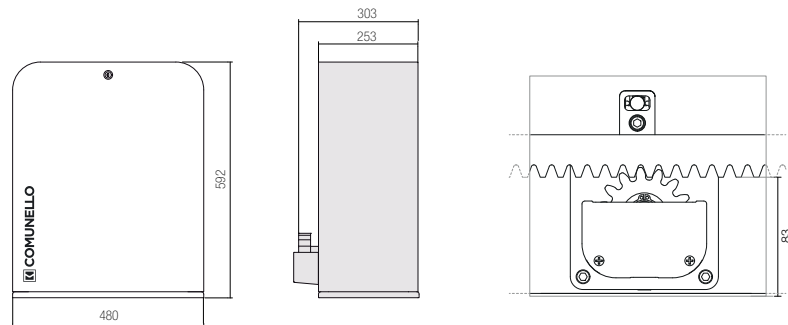


- 1 FORT 3500
- 2 CONTROL RADIO
- 3 COLUMNS
- 4 PHOTOCELLS
- 5 FLASHING SIGNAL LIGHTS
- 6 KEY OPERATED SWITCH

230V	DESCRIPTION	Wire	Length (1 m / 20 m)	Length (20 m / 50 m)
—	Power supply		3G x 1,5 mm ²	3G x 2,5 mm ²
—	Flashing signal lights	FROR CEI 20-22 CEI	2 x 0,5 mm ²	2 x 1,0 mm ²
—	Photocell TX	EN 50267-2-1	2 x 0,5 mm ²	2 x 1,0 mm ²
—	Photocell RX		4 x 0,5 mm ²	4 x 1,0 mm ²
—	Key operated switch		3 x 0,5 mm ²	3 x 1,0 mm ²
—	Antenna	RG58	max 20 m	max 20 m

FORT 3500

Electromechanical actuators for industrial sliding gates up to 3500 Kg



ARTICLE	CODE	DESCRIPTION	PACKAGE	WEIGHT	PALETTE
■ FORT 3500 230V	GFT350GCH0B00	230V Magnetic limit switches for sliding gates, Weight maxi 3500 kg	1 pcs.	53 kg	5
■ FORT 3500 380V	GFT350GCG0B00	380V Magnetic limit switches for sliding gates, Weight maxi 3500 kg	1 pcs.	55 kg	5



INSTALLATION CHART

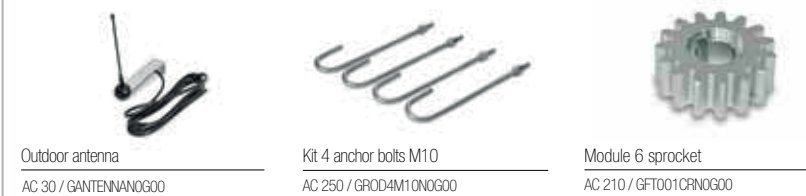
- 1 FORT 3500 230V - GFT350GCH0B00**
230V Magnetic sensor for sliding gates, Weight max 3500 kg
- 1 KEEP 2 RC - GKEEP2STNOB00**
Remote control, rolling code 2 ch.
- 1 MAST 50 - GMAST005NOG00**
Extruded aluminium column h 50 cm
- 2 DART - GDARTSTDNOB00**
Photocells
- 1 SWIFT - GSWIFTSTLYB00**
Flashing signal lights
- 1 INDEX - GINDEXSTNOB00**
Key operated switch standard
- 1 AC-40 - GSAFETYTNOG00**
Signage table
- 1 ART. 260 30x30x1000 - 11400516 001**
Racks

TECHNICAL CHARACTERISTICS

Electrical information	230V	380V
Power supply	230 VAC	380 VDC
Operating power supply	230 VAC	380 VDC
Power consumption	0,8 KW	0,8 KW
Current input	3,5 A	1,2 A
Maximum thrust	3000 N	3000 N
Duty cycle	50%	intensive use
Protection rating (IP)	IP44	IP44
Insulation class	1 (earthing)	1 (earthing)
Working temperature	-20°C / +50°C	-20°C / +50°C
Weight max of gate	3500 Kg	3500 Kg
Rack module	M6	M6
Speed	0,17 m/s	0,17 m/s
Weight	70 Kg	70 Kg

FORT 3500

ACCESSORIES from page 190 a 191



CONTROL ACCESSORIES from page 208 a 243



SAFETY ACCESSORIES from page 244 a 251





COMUNELLO
AUTOMATION

Garage doors

3



RAMPART

128

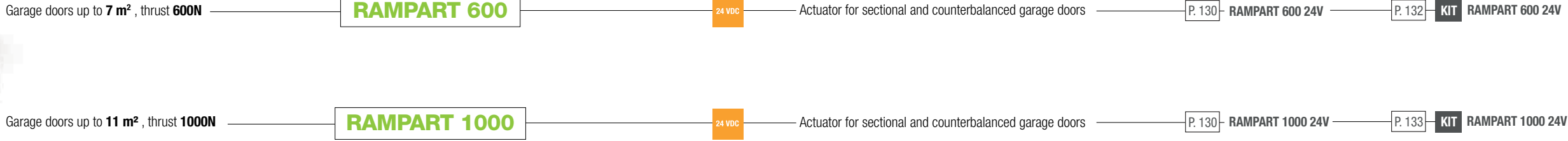


SALIENT

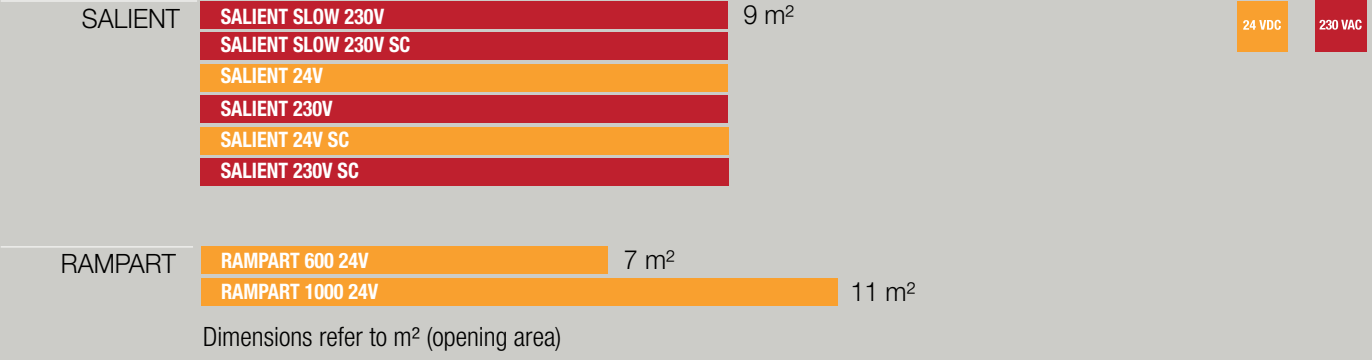
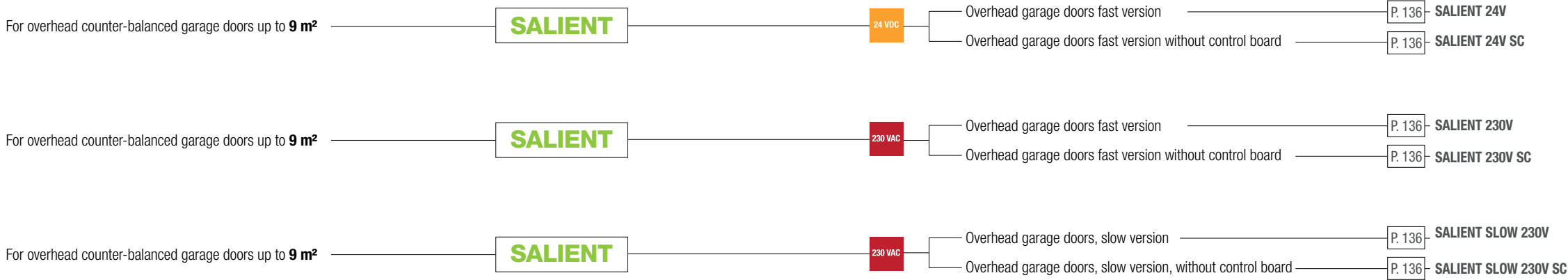
134



RAMPART



SALIENT





Garage doors

RAMPART

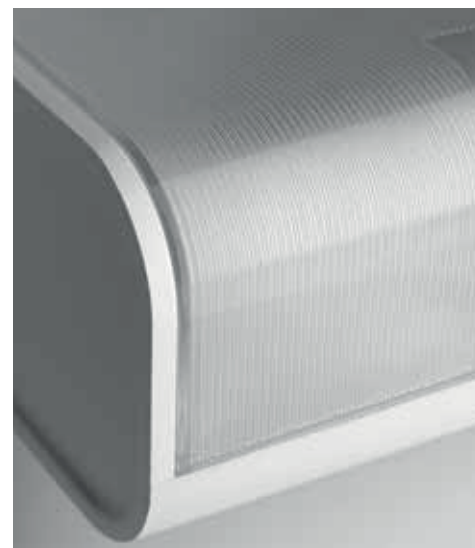
Electromechanical actuators for counterbalanced sectional doors, power 600 N / 1000 N



Electromechanical actuators for counterbalanced sectional doors

Two lines of electromechanical actuators suitable for use with overhead, sectional spring-loaded or counterbalanced garage doors. Security and precision are guaranteed by features including obstacle detection and monitoring of motor power absorption during use. These actuators offer

slowed start and stop during opening and closing as well as durable, quiet metal gearings. Available in two elegant shades of black and white they're perfectly at home in all settings.

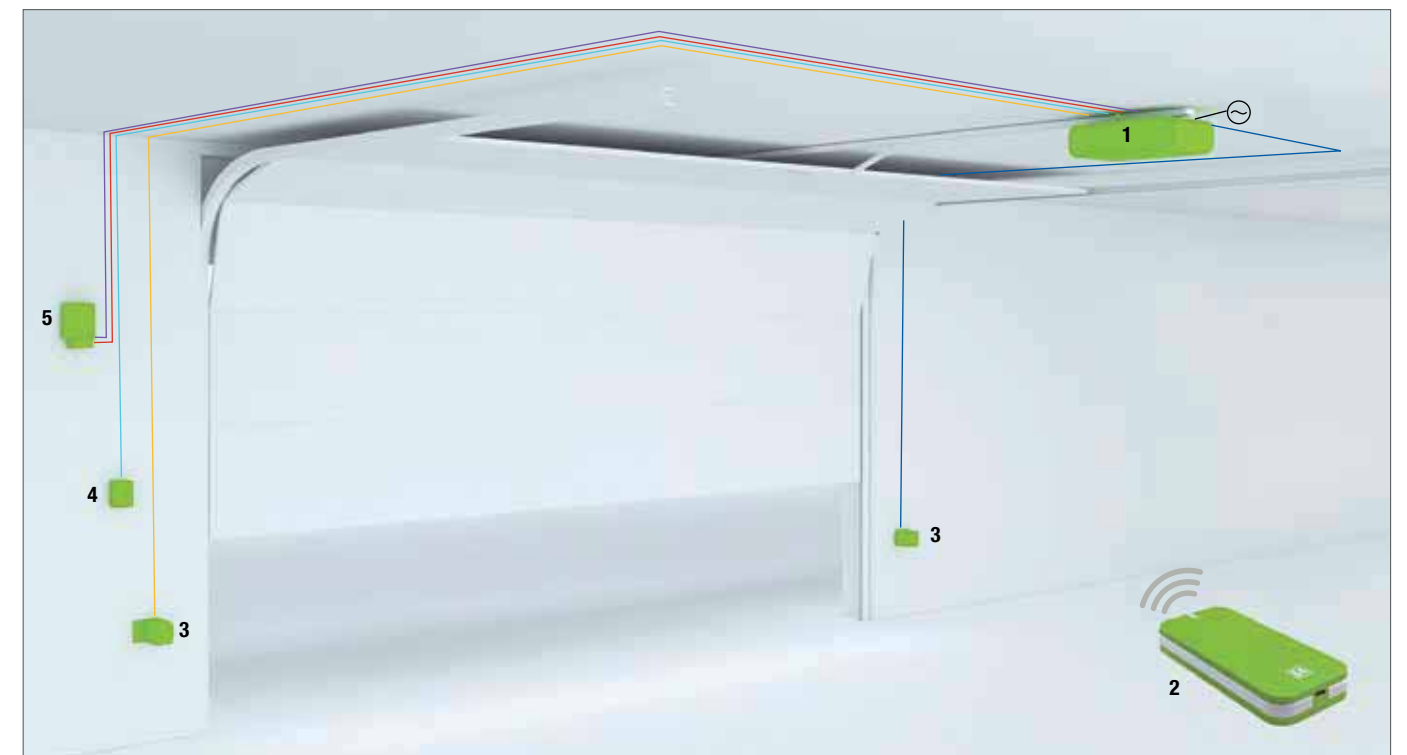


GENERAL INFORMATION

- For use with belt and chain guides, split and all-in-one
- Simple and practical
Smart learning feature for limit switch and power. Built-in radio card and photocell connections. Easy to use release lever
- All-in-one versions for 7 m² / 600N and 11m² / 1000N opening
- Available in kit form
The kit includes radio-control unit and anchoring brackets

24 VDC KIT

INSTALLATION CHART



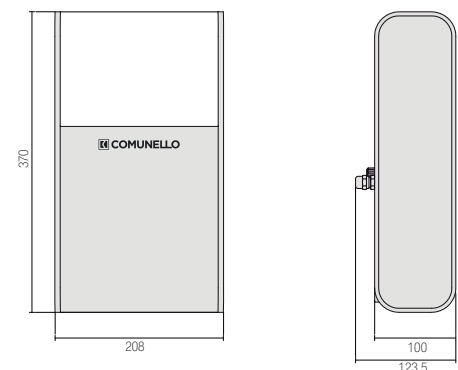
- 1 RAMPART
- 2 CONTROL RADIO
- 3 PHOTOCELLS
- 4 KEY OPERATED SWITCH
- 5 FLASHING SIGNAL LIGHTS

24V	DESCRIPTION	Wire	Length (1 m / 20 m)	Length (20 m / 50 m)
—	Power supply		2 x 1,5 mm ²	2 x 2,5 mm ²
—	Flashing signal lights	FRDR CEI 20-22 CEI	2 x 0,5 mm ²	2 x 1,0 mm ²
—	Photocell TX	EN 50267-2-1	2 x 0,5 mm ²	2 x 1,0 mm ²
—	Photocell RX		4 x 0,5 mm ²	4 x 1,0 mm ²
—	Key operated switch		3 x 0,5 mm ²	3 x 1,0 mm ²
—	Antenna	RG58	max 20 m	max 20 m



RAMPART

Electromechanical actuators for counterbalanced sectional doors, power 600 N / 1000 N



ARTICLE	COLORE	MOTOR CODE	DESCRIPTION	PACKAGE	WEIGHT	PALETTE
RAMPART 600 24V	<input type="checkbox"/>	GRT0600ELOW00	Actuator for sectional and counterbalanced garage doors thrust 600N	1 pcs.	4,9 kg	60
	<input checked="" type="checkbox"/> On demand	GRT0600ELOB00				
RAMPART 1000 24V	<input type="checkbox"/>	GRT1000ELOW00	Actuator for sectional and counterbalanced garage doors thrust 1000N	1 pcs.	6 kg	60
	<input checked="" type="checkbox"/> On demand	GRT1000ELOB00				

ARTICLE	DESIGNATION
AC-400	3,25 m one-piece chain
AC-410	3,25 m one-piece chain 2x1,65 m
AC-420	3,25 m one-piece belt guide
AC-430	4m belt guide splitted 2x2,08 m



- INSTALLATION CHART**
- 1 RAMPART 600 24V** - GRT0600ELOW00
Actuator for sectional and counterbalanced garage doors
 - 1 AC 420 / 1 x 3,25 m** - GRT3250GD0G00
3,25 m one-piece belt guide
 - 1 AC 470** - GRT001AA0G00
Support bracket kit
 - 1 DART** - GDARTSTDN0B00
Photocells
 - 1 SWIFT** - GSWIFTSTLYB00
Flashing signal light
 - 1 INDEX** - GINDEXSTN0B00
Key operated switch

TECHNICAL CHARACTERISTICS

Electrical information	RAMPART 600	RAMPART 1000
Operating power supply	230 VAC	230 VAC
Power supply	24 VDC	24 VDC
Power consumption	110 W	150 W
Maximum thrust	600 N	1000 N
Duty cycle	intensive use	intensive use
Protection rating (IP)	IP20	IP20
Insulation class	2	2
Working temperature	-10°C / +50°C	-10°C / +50°C
Speed	80 mm/sec	100 mm/sec
Weight	10 Kg	10,5 Kg

RAMPART

ACCESSORIES from page 192 a 197

 Outdoor antenna AC 30 / GANTENNAN0G00	 3,25 m one-piece chain AC 400 / GRT3250G0G00	 3,25 m split or one-piece belt guide AC 410 / 2 x 1,65m / GRT3250GB0G00 AC 420 / 1 x 3,25m / GRT3250GD0G00 AC 430 / 2 x 2,08m / GRT4000GB0G00	 Cable release for traction slide AC 440 / GRTCORDON0G00	 Galvanised swing arm AC 450 / GRT001AS0G00
 Support bracket kit AC 470 / GRT001AA0G00				

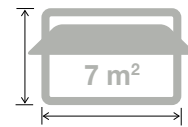
CONTROL ACCESSORIES from page 208 a 243

 Battery kit AC 50 / GBATTERYLO600	 Remote control, rolling code 2 ch. KIT VICTOR / GICTR2STN6000	 Remote control, rolling code 2 ch. KEEP 2 RC W / GKEEP2STN0W00 KEEP 2 RC B / GKEEP2STN0B00	 Remote control, rolling code 4 ch. KEEP 4 RC W / GKEEP4STN0W00 KEEP 4 RC B / GKEEP4STN0B00	 Digital switch with keypad TACT / GTACTSTDN0B00
---	---	---	---	---

SAFETY ACCESSORIES from page 244 a 251

 Flashing signal light SWIFT YELLOW / GSWIFTSTLYB00 SWIFT WHITE / GSWIFTSTLWB00	 Photocells DART / GDARTSTDN0B00	 Photocells slim DART SLIM / GDARTSLMNB00	 Adjustable photocells DART ADJUSTABLE / GDARTADJNB00	 Signage table AC 40 / GSAFETYTN0G00
---	---	--	--	---

RAMPART 600 KIT



The kits contain all the parts and equipment you need to make set up and connection as easy as possible. Instruction manuals and technical information are available on our website at www.comunello.com. We also offer our service to provide expert technical support by phone. The actuator range is in compliance with CE directive (EMC, LVD, and R&TTE) and successive amendments..

ARTICLE	CODE	MOTOR CODE	DESCRIPTION	PACKAGE	WEIGHT	PALETTE
KIT RAMPART 600	GKRT060CLW000	RAMPART 600 / GRT0600ELOW00	Actuator for sectional and counterbalanced garage doors chain guide	1 kit	25,2 kg	18
KIT RAMPART 600	GKRT060BLW000	RAMPART 600 / GRT0600ELOW00	Actuator for sectional and counterbalanced garage doors belt guide	1 kit	25,2 kg	18

RAMPART 600 KIT CONTENTS with chain

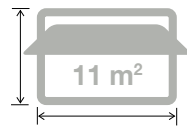
				
RAMPART 600 1 MOTOR RAMPART 600	AC-400 3,25 m one-piece chain	KEEP 2 RC Remote control, rolling code 2 ch.	AC 40 Signage table	Support bracket kit AC 470 / GRT001AA0G00

RAMPART 600 KIT CONTENTS with belt

				
RAMPART 600 1 MOTOR RAMPART 600	AC-410 3,25 m split belt guide	KEEP 2 RC Remote control, rolling code 2 ch.	AC 40 Signage table	Support bracket kit AC 470 / GRT001AA0G00



RAMPART 1000 KIT



The kits contain all the parts and equipment you need to make set up and connection as easy as possible. Instruction manuals and technical information are available on our website at www.comunello.com. We also offer our service to provide expert technical support by phone. The actuator range is in compliance with CE directive (EMC, LVD, and R&TTE) and successive amendments..

ARTICLE	CODE	MOTOR CODE	DESCRIPTION	PACKAGE	WEIGHT	PALETTE
KIT RAMPART 1000	GKRT100CLW000	RAMPART 1000 / GRT1000ELOW00	Actuator for sectional and counterbalanced garage doors chain guide	1 kit	25,2 kg	18
KIT RAMPART 1000	GKRT100BLW000	RAMPART 1000 / GRT1000ELOW00	Actuator for sectional and counterbalanced garage doors belt guide	1 kit	25,2 kg	18

RAMPART 1000 KIT CONTENTS with chain

				
RAMPART 1000 1 MOTOR RAMPART 1000	AC-400 3,25 m one-piece chain	KEEP 2 RC Remote control, rolling code 2 ch.	AC 40 Signage table	Support bracket kit AC 470 / GRT001AA0G00

RAMPART 1000 KIT CONTENTS with belt

				
RAMPART 1000 1 MOTOR RAMPART 1000	AC-410 3,25 m split belt guide	KEEP 2 RC Remote control, rolling code 2 ch.	AC 40 Signage table	Support bracket kit AC 470 / GRT001AA0G00





Garage doors

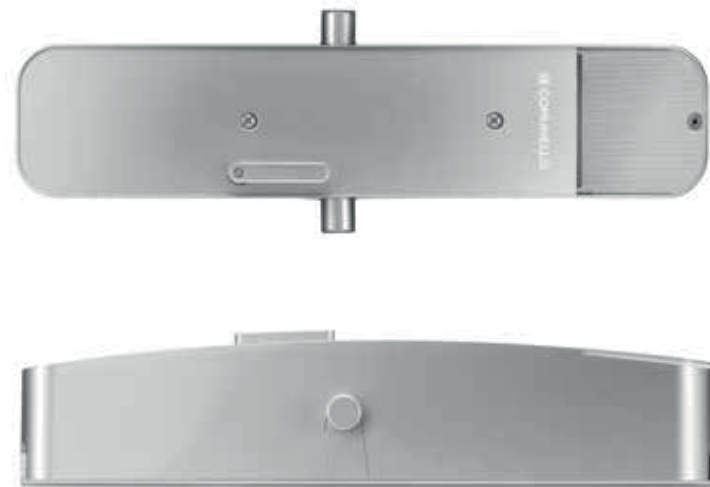
SALIENT

Electromechanical actuators for projecting and non-projecting up-and-over garage doors up to 9 m² with two motors



Electromechanical actuators for projecting up and over and sectional spring-loaded

Line of electromechanical actuators suitable for use with overhead, sectional spring-loaded or counterbalanced garage doors. Security and precision are guaranteed by features including obstacle detection and monitoring of motor power absorption during use. These actuators offer slowed start and stop during opening and closing as well as durable, quiet metal gearings.



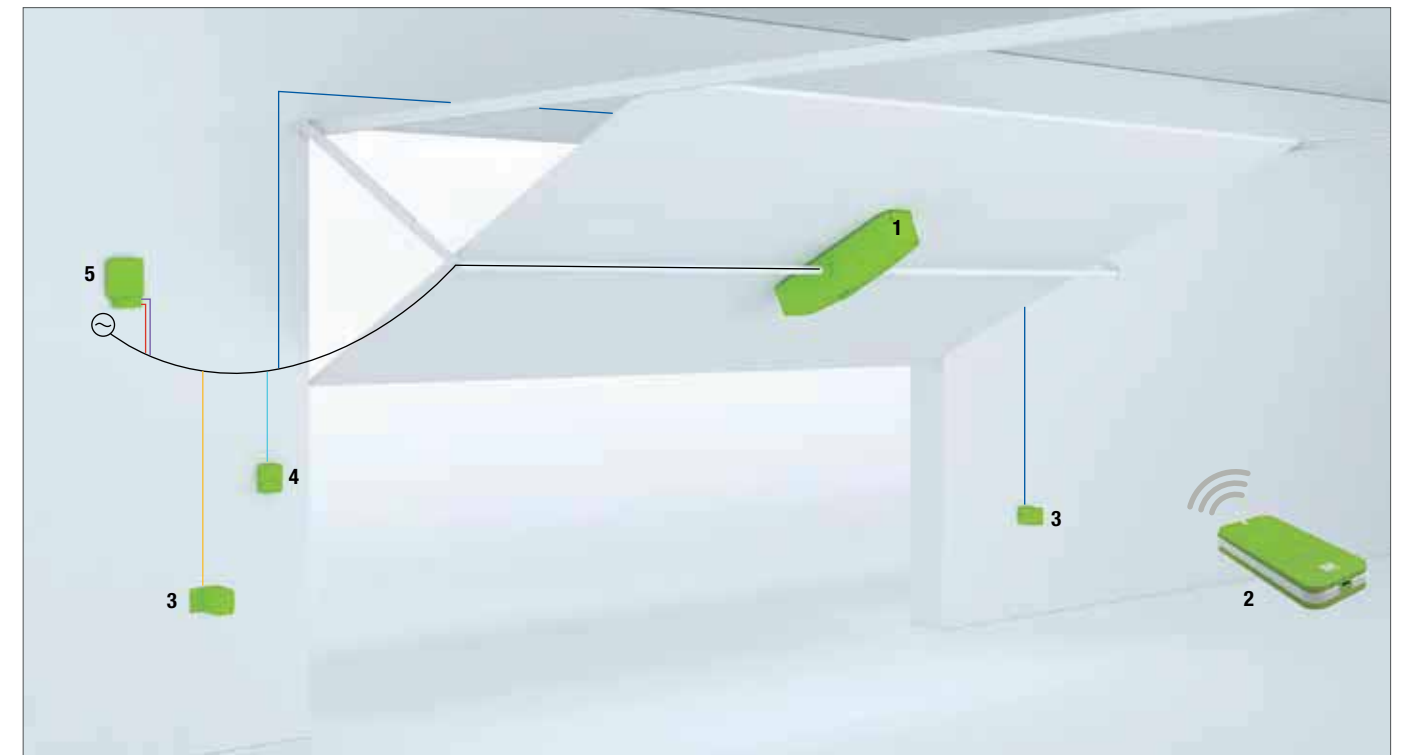
GENERAL INFORMATION

- **24 VDC and 230 VAC versions**
- **3 Versions standard and enhanced**
Versions with built-in receivers and electromechanical limit switch or without control board. Optional connection to two motors
- **Safety and precision**
Obstacle detection and monitoring of the power absorbed by the motor while in use. Slowed start and end during opening and closing. Optional cord-operated remote unlocking mechanism ready
- **Durability**
Durable, quiet metal gearings. Diecast metal release lever

24 VDC 230 VAC KIT

Garage doors

INSTALLATION CHART



- 1 SALIENT
- 2 CONTROL RADIO
- 3 PHOTOCELLS
- 4 KEY OPERATED SWITCH
- 5 FLASHING SIGNAL LIGHTS

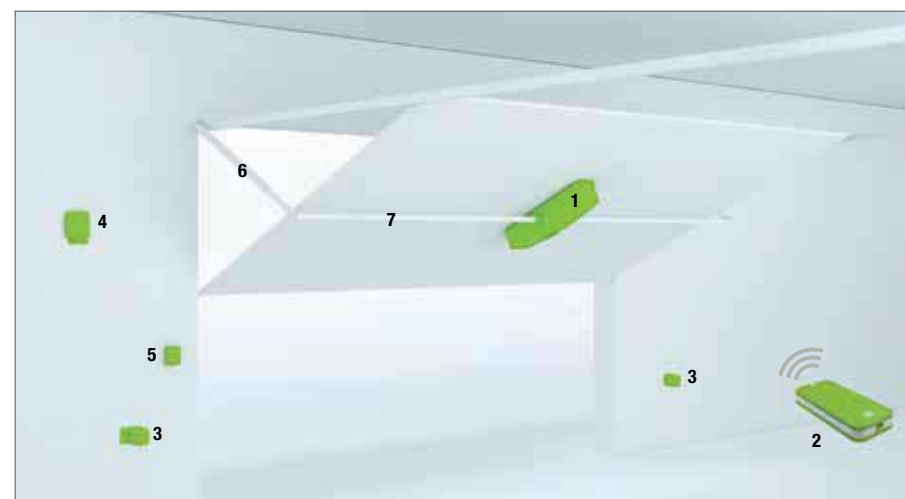
24V	DESCRIPTION	Wire	Length (1 m / 20 m)	Length (20 m / 50 m)
—	Power supply		2 x 1,0 mm ²	2 x 1,5 mm ²
—	Flashing signal lights	FRDR CEI 20-22 CEI	2 x 0,5 mm ²	2 x 1,0 mm ²
—	Photocell TX	EN 50267-2-1	2 x 0,5 mm ²	2 x 1,0 mm ²
—	Photocell RX		4 x 0,5 mm ²	4 x 1,0 mm ²
—	Key operated switch		3 x 0,5 mm ²	3 x 1,0 mm ²
—	Antenna	RG58	max 20 m	max 20 m



SALIENT

Electromechanical actuators for projecting and non-projecting up-and-over garage doors up to 9 m² with two motors

ARTICLE	CODE	DESCRIPTION	PACKAGE	WEIGHT	PALETTE
SALIENT 24V	GSTOF0ECL0G00	24V, fast version, for overhead garage door, round arms	1 pcs.	9,3 kg	64
SALIENT 24V SC	GSTOF0EOL0G00	24V, fast version, for overhead garage door, round arms without control board	1 pcs.	7,3 kg	64
SALIENT 230V	GSTOF0ECHO0G00	230V, fast version, for overhead garage door, round arms	1 pcs.	9,8 kg	64
SALIENT 230V SC	GSTOF0EHO0G00	230V, fast version, for overhead garage door, round arms without control board	1 pcs.	7,8 kg	64
SALIENT SLOW 230V	GSTOS0ECHO0G00	230V, slow version, for overhead garage door, round arms	1 pcs.	9,8 kg	64
SALIENT SLOW 230V SC	GSTOS0EHO0G00	230V, slow version, for overhead garage door, round arms without control board	1 pcs.	7,8 kg	64
SALIENT 24V	GSTQF0ECL0G00	24V, fast version, for overhead garage door, square arms	1 pcs.	9,3 kg	64
SALIENT 24V SC	GSTQF0EOL0G00	24V, fast version, for overhead garage door, square arms without control board	1 pcs.	7,3 kg	64
SALIENT 230V	GSTQF0ECHO0G00	230V, fast version, for overhead garage door, square arms	1 pcs.	9,8 kg	64
SALIENT 230V SC	GSTQF0EHO0G00	230V, fast version, for overhead garage door, square arms without control board	1 pcs.	7,8 kg	64
SALIENT SLOW 230V	GSTQS0ECHO0G00	230V, slow version, for overhead garage door, square arms	1 pcs.	9,8 kg	64
SALIENT SLOW 230V SC	GSTQS0EHO0G00	230V, slow version, for overhead garage door, square arms without control board	1 pcs.	7,8 kg	64

**INSTALLATION CHART**

- 1 SALIENT 24V** - GSTOF0ECL0G00
24V, fast version, for overhead garage door, round arms
- 1 KEEP 2 RC** - GKEEP2STNOB00
Remote control, rolling code 2 ch.
- 1 DART** - GDARTSTDNOB00
Photocells
- 1 SWIFT** - GSWIFTSTLYB00
Flashing signal light
- 1 INDEX** - GINDEXSTNOB00
Key operated switch
- 1 AC 310** - GSTO01ASN0G00
Galvanized straight arms with ribbed bushings
- 1 AC 360** - GSTO01AAN0G00
Galvanized return arms 1500 mm

TECHNICAL CHARACTERISTICS

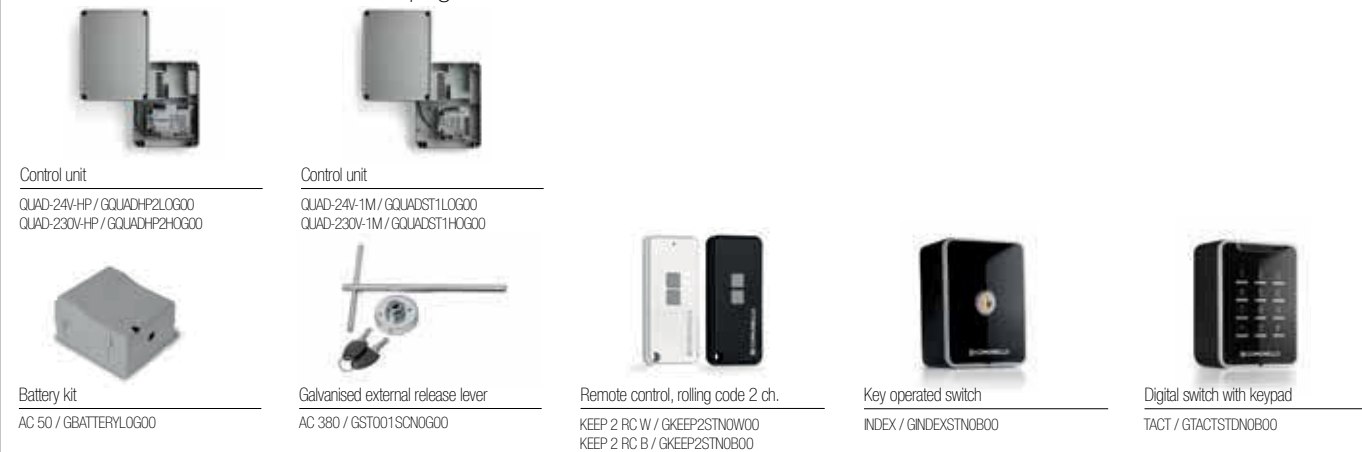
Electrical information	24V	230V FAST	230V SLOW
Operating power supply (Control unit)	230 VAC	230 VAC	230 VAC
Power supply	24 VDC	230 VAC	230 VAC
Power consumption	150 W	280 W	280 W
Current input	6,5 A	1,2 A	1,2 A
Torque	330 Nm	440 Nm	440 Nm
Duty cycle	intensive use	40%	40%
Protection rating (IP)	IP24D	IP24D	IP24D
Insulation class	2	1 (earthing)	1 (earthing)
Working temperature	-20°C / +50°C	-20°C / +50°C	-20°C / +50°C
Speed	1,7 rpm	1,7 rpm	1,2 rpm
Weight	11,2 Kg	11,4 Kg	11,4 Kg

SALIENT

ACCESSORIES from page 192 a 197



CONTROL ACCESSORIES from page 208 a 243



SAFETY ACCESSORIES from page 244 a 251



Barrier gates

4



BORDER 400 136
BORDER 600 144



LIMIT 500 152

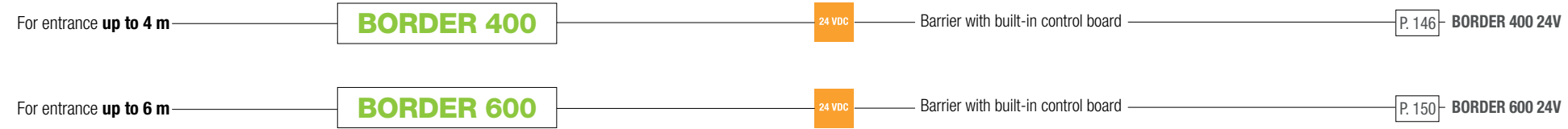


LIMIT 600 164

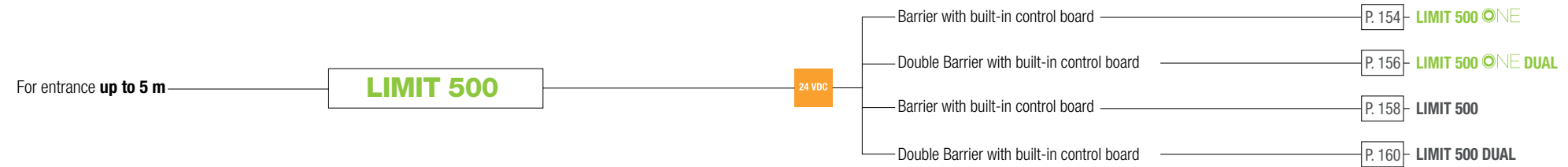


LIMIT 800 172

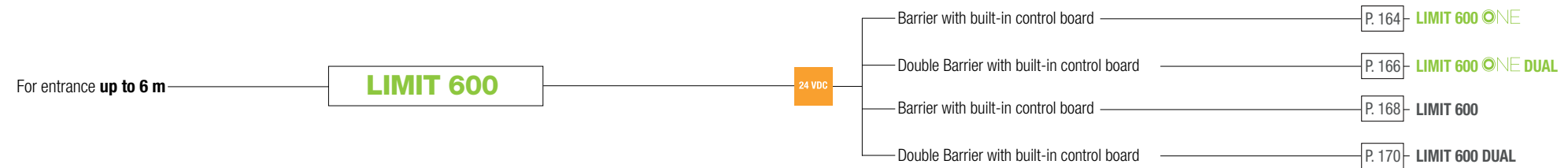
BORDER



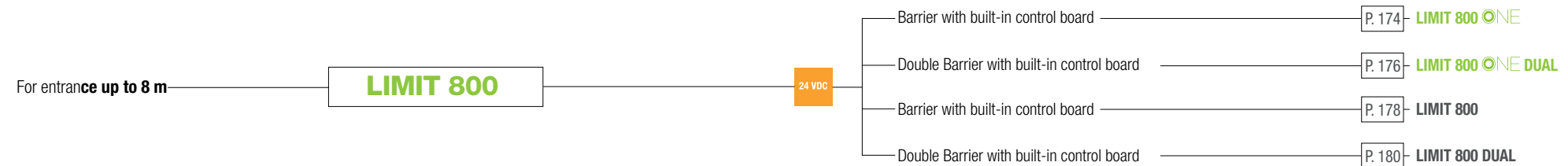
LIMIT 500



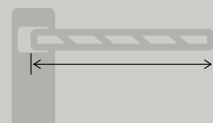
LIMIT 600



LIMIT 800



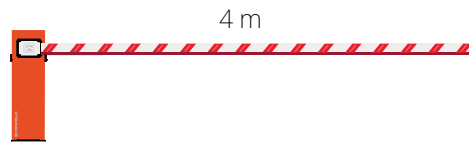
Selection guide



BORDER 400	BORDER 400 24V	4 m	24 VDC
LIMIT 500	LIMIT 500 ONE	5 m	
	LIMIT 500 24V		
BORDER 600	BORDER 600 24V	6 m	24 VDC
LIMIT 600	LIMIT 600 ONE		
	LIMIT 600 24V		
LIMIT 800	LIMIT 800 ONE	8 m	24 VDC
	LIMIT 800 24V		

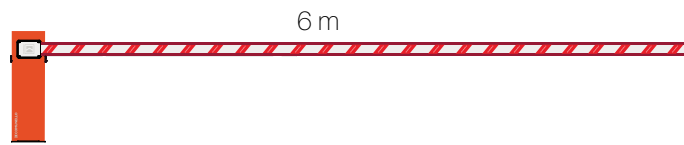
Dimensions refer to length of the bar

BORDER 400



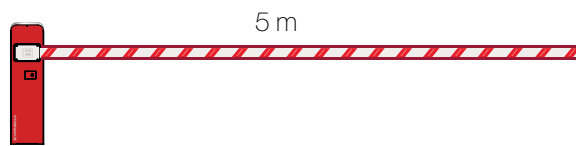
For entrance of 4 m set up for: protective rubber, flip-down arm support, rack

BORDER 600

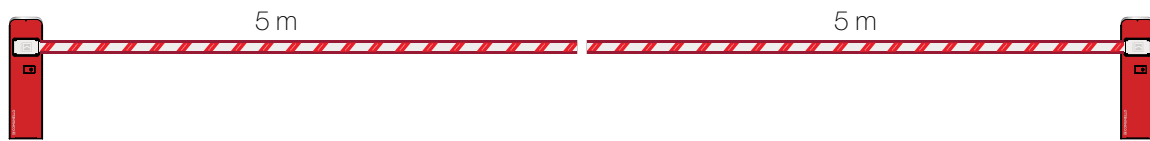


For entrance of 6 m set up for: protective rubber, flip-down arm support, rack

LIMIT 500

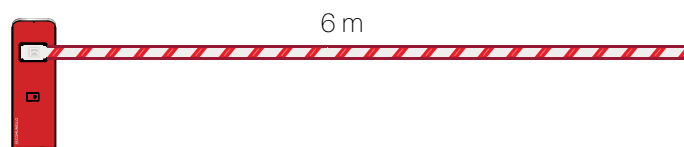


For entrance of 5 m set up for: protective rubber, warning lights, rack, flip-down arm support.



For entrance of 10 m (5+5 m) set up for: protective rubber, warning lights, rack, flip-down arm support.

LIMIT 600



For entrance of 6 m set up for: protective rubber, warning lights, rack, flip-down arm support.



For entrance of 12 m (6+6 m) set up for: protective rubber, warning lights, rack, flip-down arm support.

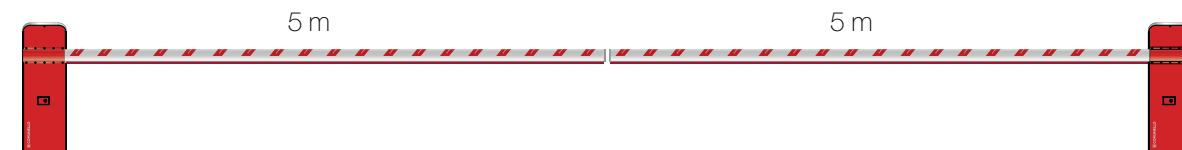
LIMIT 800



For entrance of 7 m (3+4 m) set up for: protective rubber, warning lights, rack, flip-down arm support.



For entrance of 8 m (4+4 m) set up for: protective rubber, warning lights, rack, flip-down arm support.



For entrance of 10 m (5+5 m) set up for: protective rubber, warning lights, rack, flip-down arm support.

BORDER 400

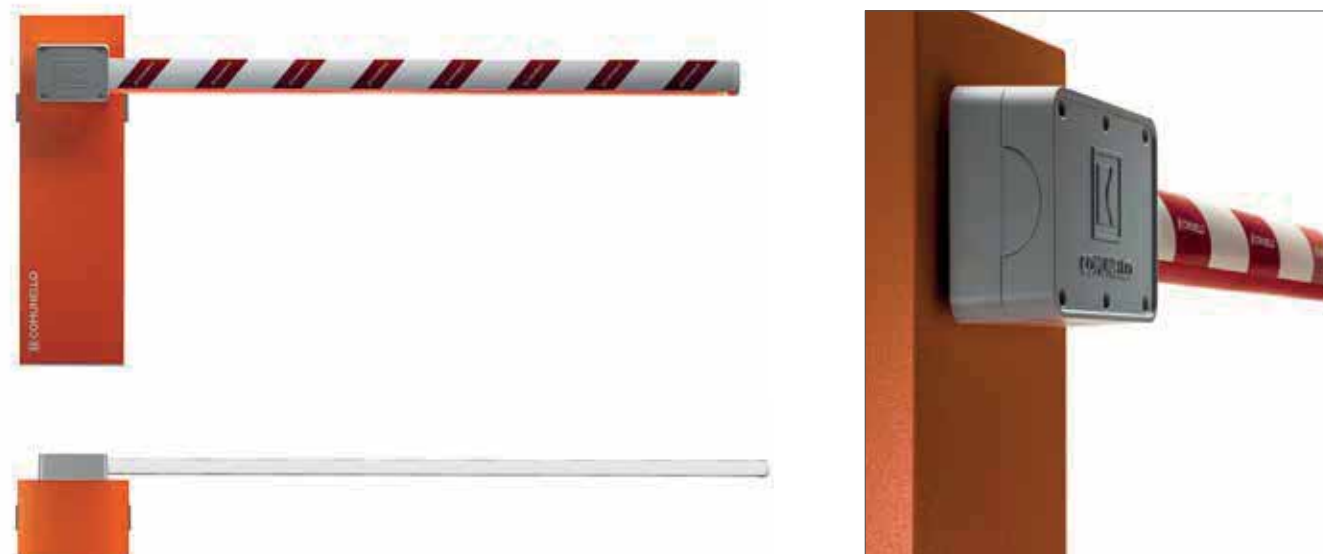
24V Electromechanical barrier raising systems for residential, industrial or public use For entrance up to 4 m



Electromechanical barrier raising systems with encoder for residential, industrial or public use.

The Border serie of road barriers is available in a range of motor sizes and cover all possible road widths. The highest levels of security and optimum performance are guaranteed by easy-to-use controls, light, robust barrier arms, a robust aluminium motor and metal gearings.

Anti-shock rubber is fitted. Programming is made easy via built-in end stop and encoders.

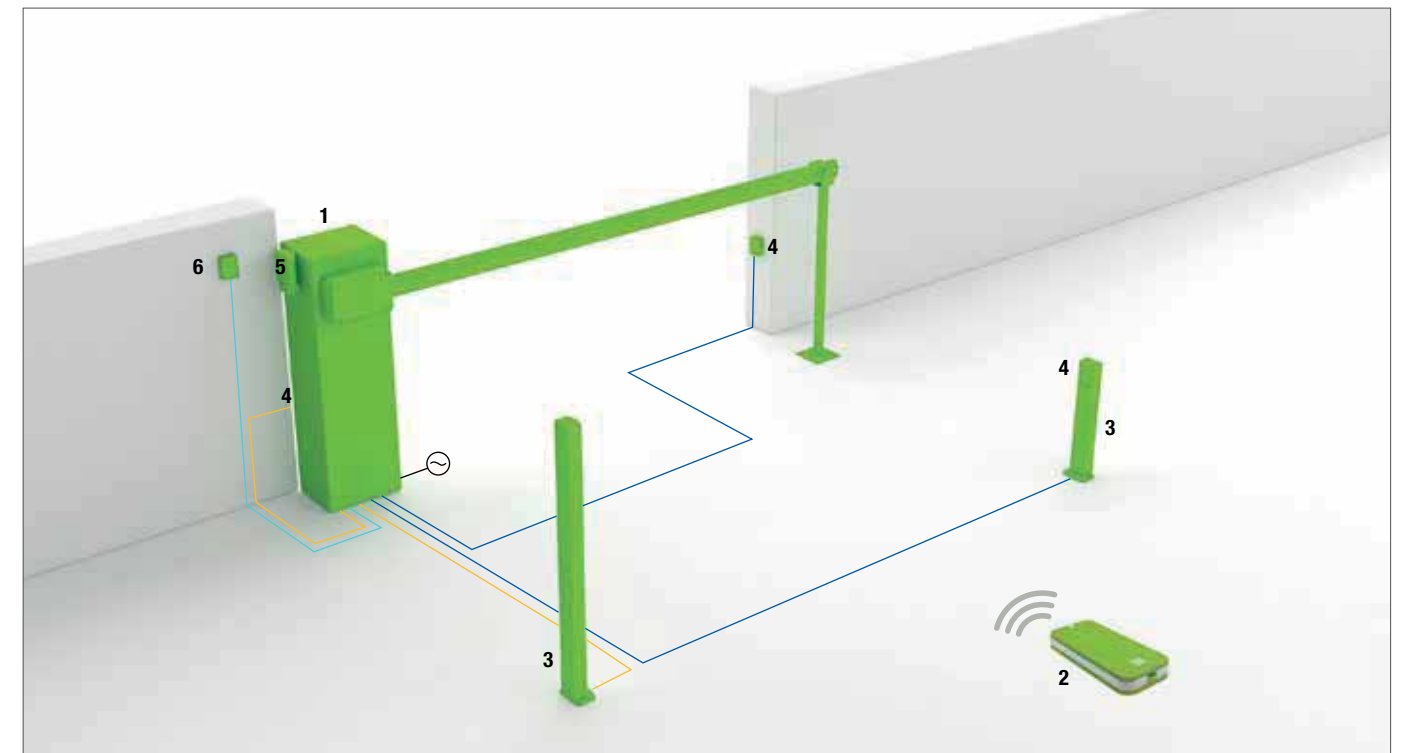


GENERAL INFORMATION

- **Powerful and fast**
Mod. BORDER 400 version 24 VDC / 24 VDC version
- **Smart**
Facilitated programming from built-in limit switch. Transformation from left to right via led menu
- **Safety**
In case of impact, movement is automatically stopped. Fold-away emergency release lever. Separate casings for electrical and mechanical components for safe access
- **Impact-resistant protective trim (optional)**
- **High performance**
Aluminium motorreductor and metal gearings. Control electronics are practical and positioned for easy access (upwards). Lightweight, durable bars. 2 balancing spring sizes are available supplied based on bar length
- **Speed: from 3 to 6 sec**
- **Available in kit form**

24 VDC

INSTALLATION CHART

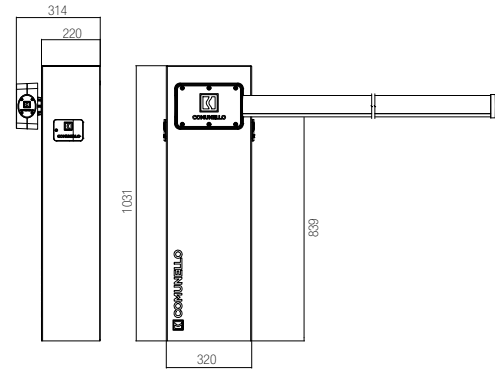


- 1 BORDER 300 / 400
- 2 CONTROL RADIO
- 3 COLONNINE
- 4 Photocells
- 5 Flashing signal lights
- 6 Key operated switch

24V	DESCRIPTION	Wire	Length (1 m / 20 m)	Length (20 m / 50 m)
—	Power supply		2 x 1,5 mm ²	2 x 2,5 mm ²
—	Flashing signal lights	FRDR CEI 20-22 CEI	2 x 0,5 mm ²	2 x 1,0 mm ²
—	Photocell TX	EN 50267-	2 x 0,5 mm ²	2 x 1,0 mm ²
—	Photocell RX	2-1	4 x 0,5 mm ²	4 x 1,0 mm ²
—	Key operated switch		3 x 0,5 mm ²	3 x 1,0 mm ²
—	Antenna	RG58	max 20 m	max 20 m

BORDER 400

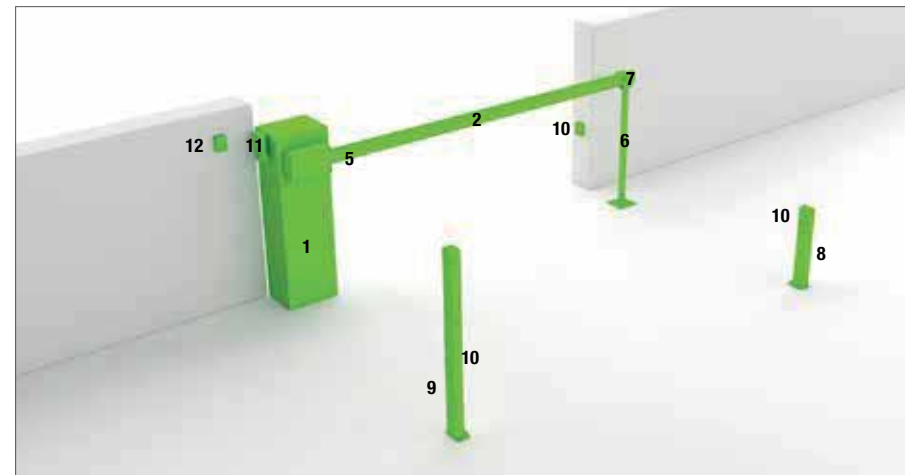
24V Electromechanical barrier raising systems for residential, industrial or public use For entrance up to 4 meters



ARTICLE	COLOUR	CODE	DESCRIPTION	PACKAGE	WEIGHT	PALETTE
■ BORDER 400 24V	■	GBR040EVL0A00	Barrier with built-in control board 24V	1 pcs.	45 kg	6

BAR ASSEMBLY AND SPRING CHOICE	LENGTH						
	1,50	2,00	2,50	3,00	3,50	4,00	
Asta	●	●	●	●	●	●	
Bar with bar cover kit	●	●	●	●	●	●	
Bar with swing down support	●	●	●	●	●	●	
Bar with bar cover kit and swing down support	●	●	●	●	●	●	
Bar with curtain	●	●	●	●	●	●	
Bar with upper bar cover and curtain	●	●	●	●	●	●	

● Small spring AC 530 ● Medium spring AC 540



INSTALLATION CHART

- 1 BORDER 400 24V** - GBR040EVL0A00
Barrier with built-in control board 24V
- 1 AC 641 - 4 m** - GBRBAR4000W00
Aluminium oval bar 4 m
- 1 AC 500** - GLTANCHOR0G00
Foundation kit
- 1 AC 530** - GLTSPRINGMG00
Spring for light bar
- 1 AC 681** - GBRTOPP400R00
Red barrier bar cover, 4 m
- 1 AC 560** - GLTFOX000A00
Arm nesting post
- 1 AC 717** - GBRPLUG010W00
Oval bar plug
- 1 MAST 50** - GMAST005NOG00
Extruded aluminium column h 50 cm
- 1 MAST TWIN 100** - GMAST005NOG00
Extruded aluminium column h 1 meter for photocells and control accessories installation
- 2 DART** - GDARTSTDNOB00
Photocells
- 1 SWIFT** - GSWIFTSTLYB00
Flashing signal lights
- 1 INDEX** - GINDEXSTNOB00
Key operated switch
- 1 AC-50** - GBATTERYLOG00
Battery kit

TECHNICAL CHARACTERISTICS

Electrical information	24V
Power supply	230 VAC
Operating power supply	24 VDC
Power consumption	150 W
Current input	6,2 A
Torque	100 Nm
Duty cycle	intensive use
Protection rating (IP)	IP44
Insulation class	2
Working temperature	-20°C / +50°C

BORDER 400

ACCESSORIES from page 198 to 205



CONTROL ACCESSORIES from page 208 to 243



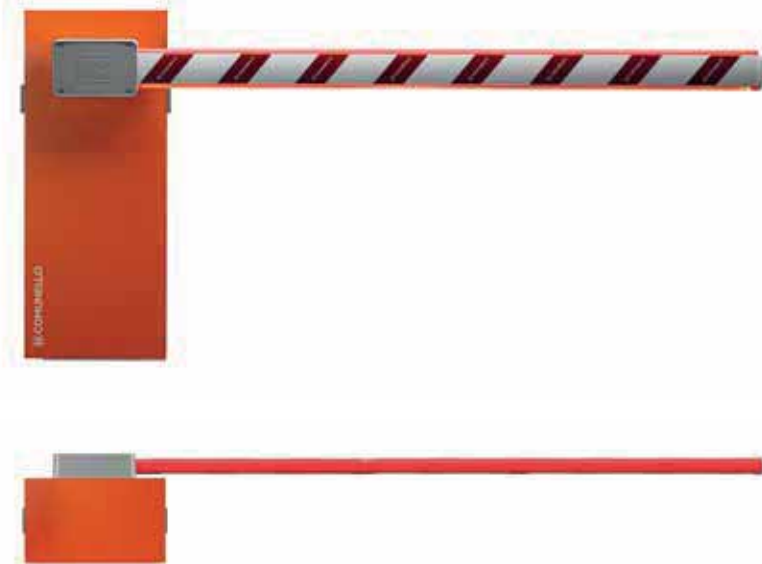
SAFETY ACCESSORIES from page 244 to 251





BORDER 600

24V Electromechanical barrier raising systems for residential, industrial or public use For entrance up to 6 meters

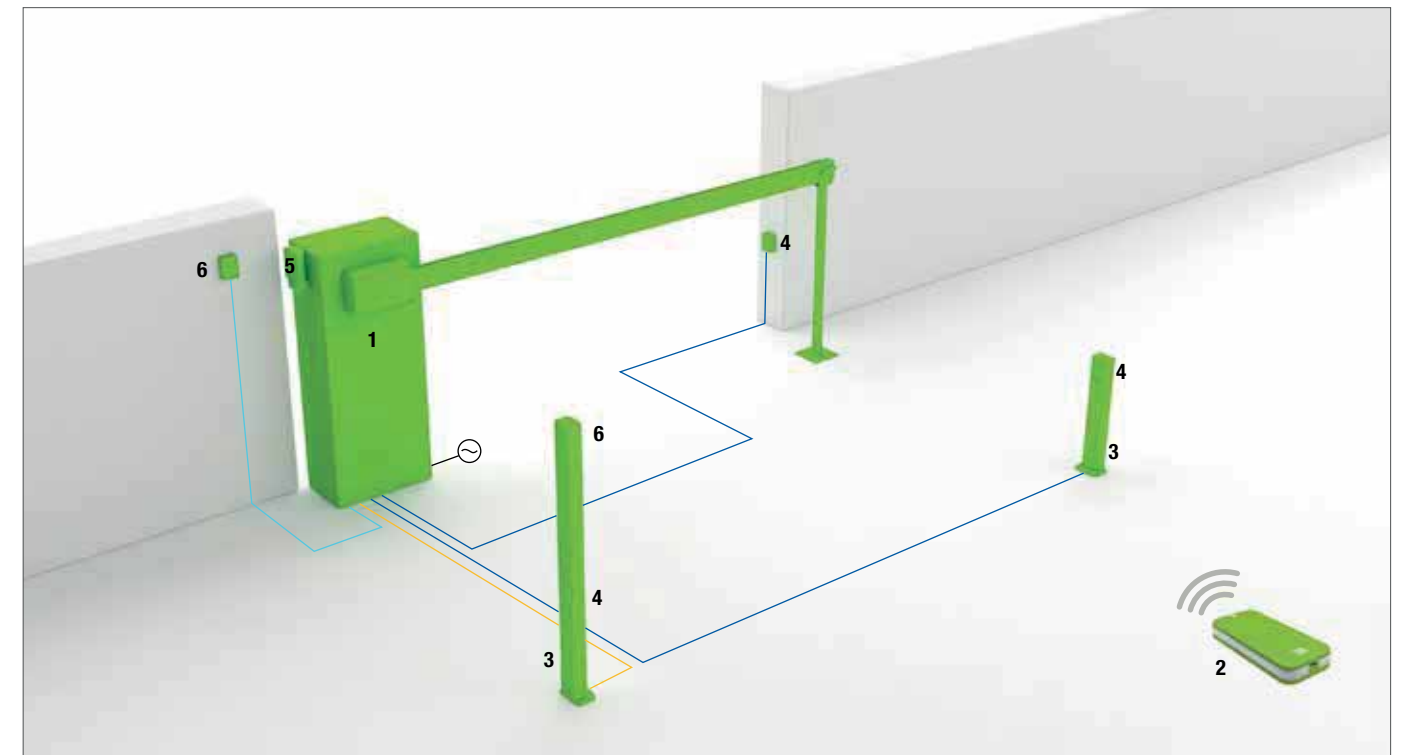


GENERAL INFORMATION

- **Powerful and fast**
Mod. BORDER 600, 24 V version
- **Smart**
Facilitated programming from built-in limit switch. Transformation from left to right via led menu
- **Safety**
In case of impact, movement is automatically stopped. Fold-away emergency release lever. Separate casings for electrical and mechanical components for safe access
- **Impact-resistant protective trim (optional)**
- **High performance**
Aluminium motorreductor and metal gears. Control electronics are practical and positioned for easy access (upwards). Lightweight, durable bars. 2 balancing spring sizes are available supplied based on bar length
- **Speed: from 4 to 6 sec**
- **Available in kit form**

24 VDC

INSTALLATION CHART

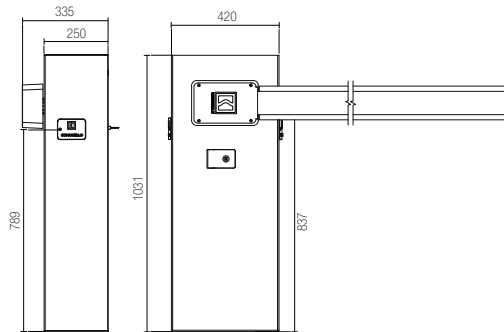


- 1 BORDER 600
- 2 CONTROL RADIO
- 3 COLONNINE
- 4 PHOTOCELLS
- 5 FLASHING SIGNAL LIGHTS
- 6 KEY OPERATED SWITCH

24V	DESCRIPTION	Wire	Length (1 m / 20 m)	Length (20 m / 50 m)
—	Power supply		2 x 1,5 mm ²	2 x 2,5 mm ²
—	Flashing signal lights	FRDR CEI 20-22 CEI	2 x 0,5 mm ²	2 x 1,0 mm ²
—	Photocell TX	EN 50267-	2 x 0,5 mm ²	2 x 1,0 mm ²
—	Photocell RX	2-1	4 x 0,5 mm ²	4 x 1,0 mm ²
—	Key operated switch		3 x 0,5 mm ²	3 x 1,0 mm ²
—	Antenna	RG58	max 20 m	max 20 m

BORDER 600

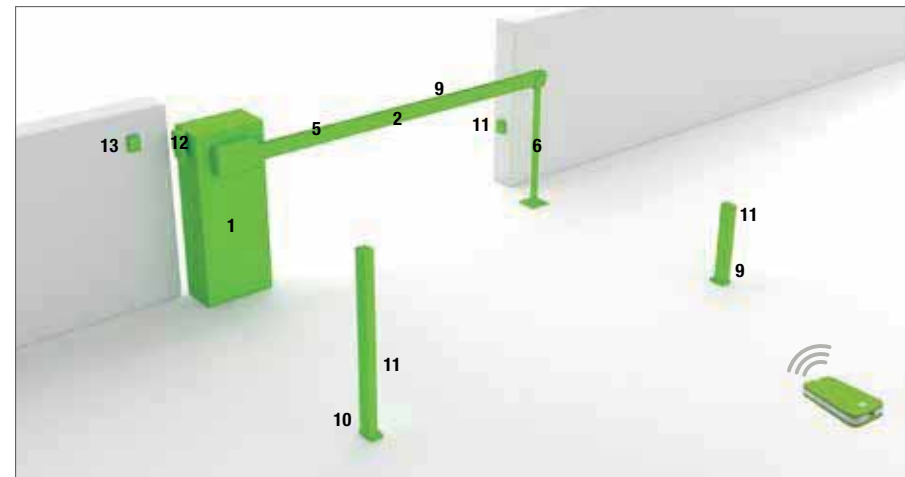
24V Electromechanical barrier raising systems for residential, industrial or public use For entrance up to 6 meters



ARTICLE	COLOUR	CODE	DESCRIPTION	PACKAGE	WEIGHT	PALETTE
■ BORDER 600 24V	■	GBR060E0LOA00	Barrier with built-in control board 24V- fast version, For entrance up to 5 m	1 pcs.		55 kg 6

BAR ASSEMBLY AND SPRING CHOICE	LENGTH										
	1,50	2,00	2,50	3,00	3,50	4,00	4,50	5,00	5,50	6,00	
Bar	●	●	●	●	●	●	●	●	●	●	●
Bar with bar cover kit	●	●	●	●	●	●	●	●	●	●	●
Bar with swing down support	●	●	●	●	●	●	●	●	●	●	●
Bar with bar cover kit and swing down support	●	●	●	●	●	●	●	●	●	●	●
Bar with curtain	●	●	●	●	●	●	●	●	●	●	●
Bar with upper bar cover and curtain	●	●	●	●	●	●	●	●	●	●	●

● Small spring AC 530 ● Medium spring AC 545



INSTALLATION CHART

- 1 BORDER 600 24V** - GBR060E0H0A00
Barrier with built-in control board 24V
- 1 AC 655 - 6 m** - GLTBAR6000W00
Aluminium rectangular bar, RAL 9010
- 1 AC 510** - GLTANCH080G00
Foundation kit
- 1 AC 545** - GLTSPRINGH000
Spring for light bar
- 1 AC 695** - GLTTPP600R00
Red barrier bar cover, 6 m
- 1 AC 560** - GLTFX0000A00
Arm nesting post
- 1 AC 700** - GLTSTOPPERW00
Bar end plug
- 1 AC 710** - GLTPLUG010W00
Bar end plug
- 1 MAST 50** - GMAST005N0G00
Extruded aluminium column h 50 cm
- 1 MAST TWIN 100** - GMAST005N0G00
Extruded aluminium column h 1 meter for photocells and control accessories installation
- 2 DART** - GDARTSTDN0B00
Photocells
- 1 SWIFT** - GSWIFTSTLYB00
Flashing signal lights
- 1 INDEX** - GINDEXSTNOB00
Key operated switch
- 1 AC-50** - GBATTERYLO0G00
Battery kit

TECHNICAL CHARACTERISTICS

Electrical information	24V
Power supply	230 VAC
Operating power supply	24 VDC
Power consumption	150 W
Current input	6,2 A
Torque	100 Nm
Duty cycle	intensive use
Protection rating (IP)	IP44
Insulation class	2
Working temperature	-20°C / +50°C

BORDER 600

ACCESSORIES from page 198 to 205

Outdoor antenna AC 30 / GANTENNAN0G00	Foundation kit AC 510 / GLTANCH080G00	Spring for light bar AC 530 (light) / GLTSPRINGM000 AC 545 (medium) / GBRSPRINGH000	Arm nesting post AC 560 / GLTFX0000A00	Swing down support for bar AC 570 / GLTSUPPORTG00
Aluminium rectangular bar, RAL 9010 AC 655 - 6m / GLTBAR6000W00	Red barrier bar cover AC 680 - 4m / GLTTPP400R00 AC 690 - 5m / GLTTPP500R00 AC 695 - 6m / GLTTPP600R00	90° jointed rod AC 580 / GLTANG9000G00	Bar end plug AC 700 / GLTSTOPPERW00	Bar end plug AC 710 / GLTPLUG010W00 AC 715 / GLTPLUG020W00

CONTROL ACCESSORIES from page 208 to 243

Inductive sensor AC 240 / GINDUCTN0G00	Remote control, rolling code 4 ch. KEEP 4 RC / GKEEP4STN0W00	Kit 5 Remote control, rolling code 2 ch. KIT VICTOR / GVICTR2STN5000	Key operated switch INDEX / GINDEXSTNOB00	Digital switch with keypad TACT / GTACTSTDN0B00

SAFETY ACCESSORIES from page 244 to 251

Flashing signal lights SWIFT YELLOW / GSWIFTSTLYB00 SWIFT WHITE / GSWIFTSTLW00	Reflective adhesive strips AC 660 / GLTSTRIP00W00	2 m curtain AC 590 / GLTHEDGE02W00	Photocells DART / GDARTSTDN0B00	Adjustable photocells DART ADJUSTABLE / GDARTADJN0B00

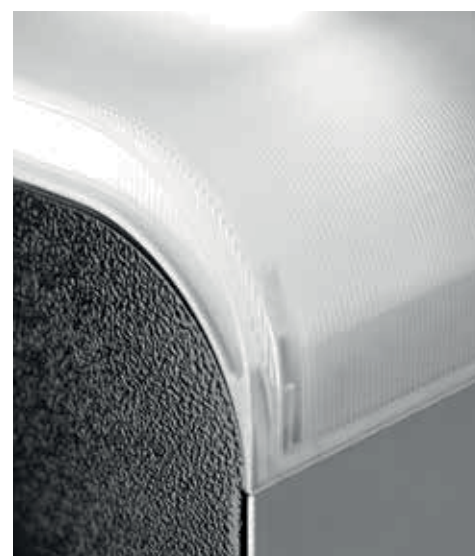
LIMIT 500

24V Electromechanical barrier raising systems with encoder for residential, industrial or public use. For entrance up to 5 meters



The Limit serie of road barriers is available in a range of motor sizes and cover all possible road widths. The highest levels of security and optimum performance are guaranteed by easy-to-use controls, light, robust barrier arms, a robust aluminium motor and metal gears.

Anti-shock rubber is fitted. Programming is made easy via built-in limit switch and encoders. A version is available with built-in security light.

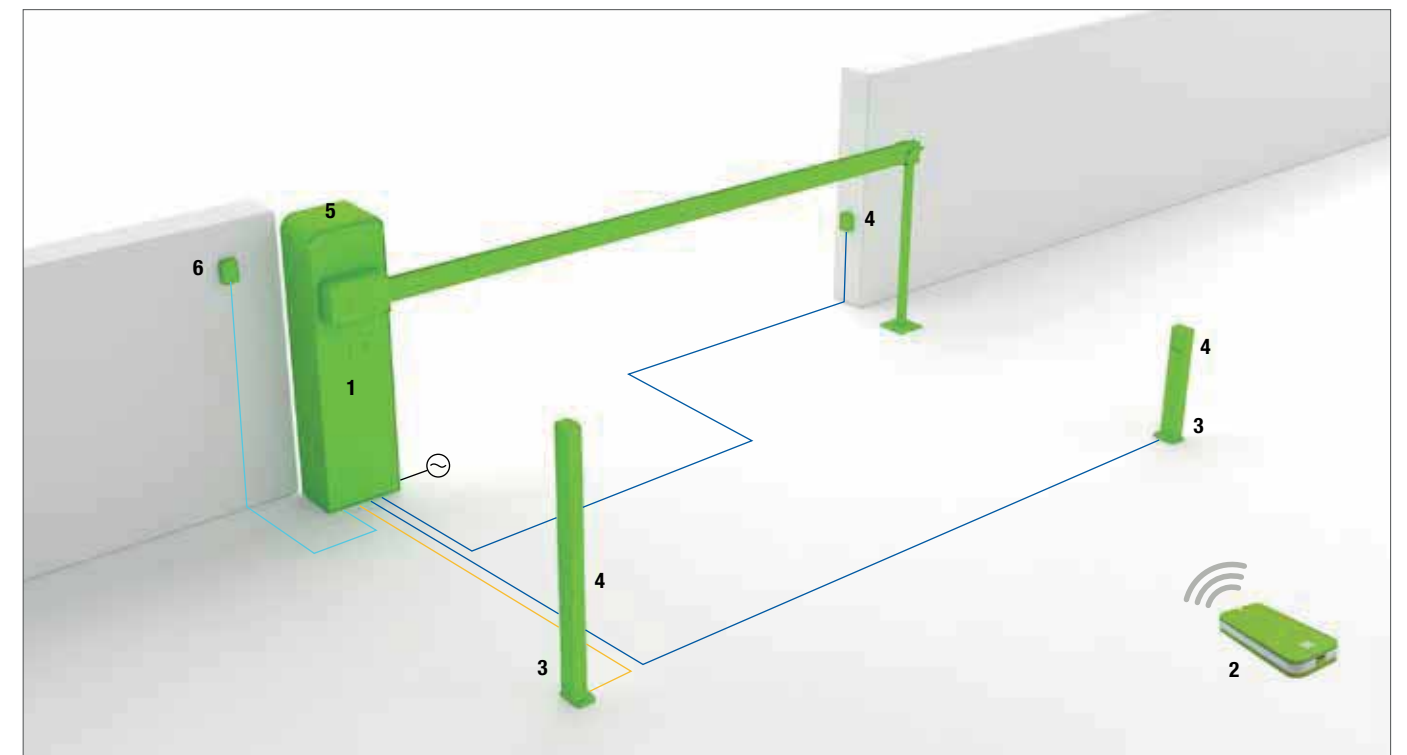


GENERAL INFORMATION

- **Powerful and fast**
Mod. LIMIT 500, 24 V version
- **Smart**
Facilitated programming from built-in limit switch and encoder. Transformation from left to right via dip switch
- **Safety**
In case of impact, movement is automatically stopped. Fold-away emergency release lever. Separate casings for electrical and mechanical components for safe access
- **Impact-resistant protective trim (optional)**
- **High performance**
Aluminium motorreductor and metal gears. Control electronics are practical and positioned for easy access (upwards). Lightweight, durable bars. 3 balancing spring sizes are available supplied based on bar length
- **Optional version available with built-in flashing safety light**
- **Speed: from 3 to 6 sec**
- **Available in kit form**

24 VDC

INSTALLATION CHART

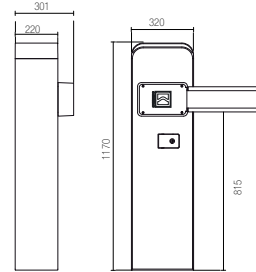


- 1 LIMIT 500
- 2 CONTROL RADIO
- 3 COLONNINE
- 4 PHOTOCELLS
- 5 FLASHING SIGNAL LIGHTS
- 6 KEY OPERATED SWITCH

24V	DESCRIPTION	Wire	Length (1 m / 20 m)	Length (20 m / 50 m)
—	Power supply	FROR CEI	2 x 1,5 mm ²	2 x 2,5 mm ²
—	Photocell TX	20-22 CEI	2 x 0,5 mm ²	2 x 1,0 mm ²
—	Photocell RX	EN 50267-	4 x 0,5 mm ²	4 x 1,0 mm ²
—	Key operated switch	2-1	3 x 0,5 mm ²	3 x 1,0 mm ²

LIMIT 500 ONE

24V Electromechanical barrier raising systems with encoder for residential, industrial or public use. For entrance up to 5 meters



TECHNICAL CHARACTERISTICS

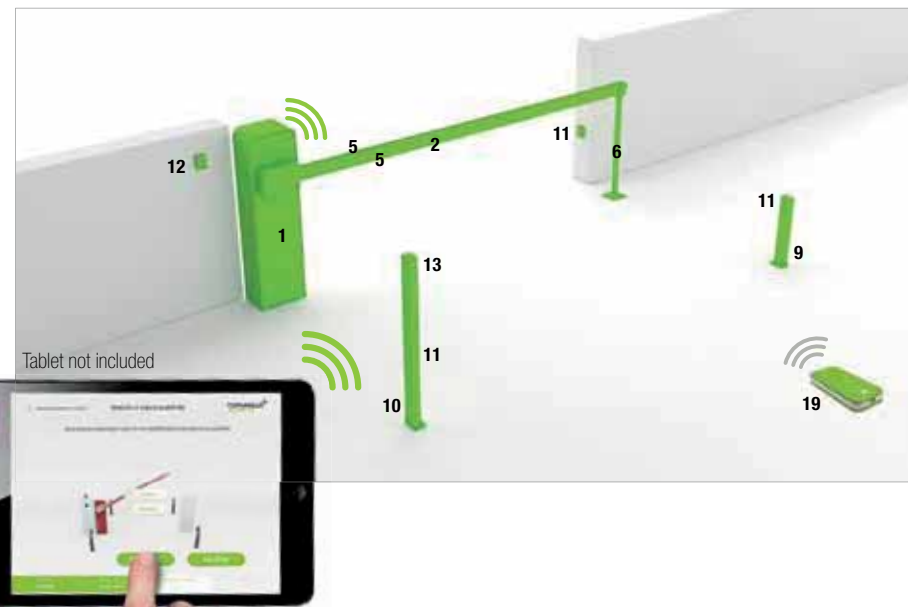
Electrical information	LIMIT 500 ONE
Power supply	230 VAC
Operating power supply	24 VDC
Power consumption	150 W
Current input	6,2 A
Torque	100 Nm
Duty cycle	intensive use
Protection rating (IP)	IP44
Insulation class	2
Working temperature	-20°C / +50°C

ONE TECHNOLOGY

ARTICLE	COLOUR	CODE	DESCRIPTION	PACKAGE	WEIGHT	PALETTE
■ LIMIT 500 ONE	■	G1L50EELOR00	Barrier with built-in control board 24V For entrance up to 5m	1 pcs.	65 kg	6

BAR ASSEMBLY AND SPRING CHOICE	LENGTH							
	1,50	2,00	2,50	3,00	3,50	4,00	4,50	5,00
Bar	●	●	●	●	●	●	●	●
Bar with bar cover kit	●	●	●	●	●	●	●	●
Bar with bar cover kit and lights	●	●	●	●	●	●	●	●
Bar with swing down support	●	●	●	●	●	●	●	●
Bar with bar cover kit and swing down support	●	●	●	●	●	●	●	●
Bar with bar cover kit, led and swing down support	●	●	●	●	●	●	●	●
Bar with curtain	●	●	●	●	●	●	●	●
Bar with upper bar cover and curtain	●	●	●	●	●	●	●	●
Bar with upper bar cover, led and curtain	●	●	●	●	●	●	●	●
Bar with upper bar cover, led, curtain and swing down support	●	●	●	●	●	●	●	●

● Small spring AC 530 ● Medium spring AC 540



INSTALLATION CHART

- LIMIT 500 ONE** - G1L50EELOR00
Barrier 24V built-in control board
- AC 650 - 5 m** - GLTBAR5000W00
Aluminium rectangular bar, RAL 9010
- AC 500** - GLTANCHOR0G00
Foundation kit
- AC 540** - GLTSPRINGHG00
Spring for light bar
- AC 690** - GLTTOPP500R00
Red barrier bar cover, 5 m
- AC 560** - GLTFX0000A00
Arm nesting post
- AC 700** - GLTSTOPPERW00
Bar end plug
- AC 710** - GLTPLUG010W00
Bar end plug
- MAST 50** - GMAST005NOG00
Extruded aluminium column h 50 cm
- MAST TWIN 100** - GMAST005NOG00
Extruded aluminium column h 1 meter for photocells and control accessories installation
- DART ONE** - G1DARTSTNOB00
Photocells DART RX+TX ONE
- INDEX ONE** - G1INDEXST0B00
Key operated switch
- TACT RADIO** - G1ACTRADNOB00
Digital switch with radio-controller keypad
- AC 51** - G1BATTERLOG00
Battery kit
- AC 800** - GLTLED5000W00
5 m LED strip
- AC 770** - GLTSWIFNOG00
Internal LED lights
- AC 660** - GLTSTRIP00W00
Reflective adhesive strips
- AC 40** - GSAFETYNOG00
Signage table
- KEEP 2 RC** - GKEEP2STNOB00
Remote control, rolling code 2 ch.

LIMIT 500 ONE

ACCESSORIES from page 198 to 205

<p>Wi-fi key ONE can be used for all ONE settings (one key for one installer)</p> <p>Wi-fi connection key K-ONE / G1KEYWIFLOG00</p>	<p>Outdoor antenna AC 30 / GANTENNANOG00</p>	<p>Foundation kit AC 500 / GLTANCHOR0G00</p>	<p>Spring for light bar AC 530 (light) / GLTSPRINGMG00 AC 540 (medium) / GLTSPRINGHG00</p>	<p>Aluminium rectangular bar, RAL 9010 AC 630 - 3m / GLTBAR3000W00 AC 640 - 4m / GLTBAR4000W00 AC 650 - 5m / GLTBAR5000W00</p>
<p>Bar end plug AC 700 / GLTSTOPPERW00</p>	<p>Bar end plug AC 715 / GLTPLUG020W00</p>	<p>Bar end plug AC 710 / GLTPLUG010W00</p>	<p>Red barrier bar cover AC 670 - 3m / GLTTOPP300R00 AC 680 - 4m / GLTTOPP400R00 AC 690 - 5m / GLTTOPP500R00</p>	<p>90° jointed rod AC 580 / GLTANG9000G00</p>
<p>Arm nesting post AC 560 / GLTFX0000A00</p>	<p>Swing down support for bar AC 570 / GLTSUPPORTG00</p>			

CONTROL ACCESSORIES from page 208 to 243

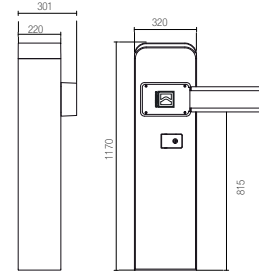
<p>Battery kit AC 51 / G1BATTERLOG00</p>	<p>Inductive sensor AC 240 / GINDUCTONOG00</p>	<p>Internal LED lights AC 770 (pack of 2 pcs) / GLTSWIFNOG00</p>	<p>5 m LED strip AC 800 / GLTLED5000W00</p>	<p>Remote control, rolling code 2 ch. KEEP 2 RC / GKEEP2STNOB00</p>
<p>Kit 5 Remote control, rolling code 2 ch. KITVICTOR / G1CTR2STNE000</p>	<p>Key operated switch INDEX ONE / G1INDEXST0B00</p>	<p>Digital switch with radio-controller keypad TACT RADIO / G1ACTRADNOB00</p>	<p>Extruded aluminium column h 50 cm MAST 50 / GMAST005NOG00</p>	<p>Extruded aluminium column h 1 m for 2 photocells and control accessories MAST TWIN 100 / GMAST110NOG00</p>

SAFETY ACCESSORIES from page 244 to 251

<p>Flashing signal light SWFT ONE YELLOW / G1SWFTSYB00 SWFT ONE WHITE / G1SWFTSYWB00</p>	<p>Photocells DART ONE / G1DARTSTNOB00</p>	<p>2 m curtain AC 590 / GLTHEDGE02W00</p>	<p>Reflective adhesive strips AC 660 / GLTSTRIP00W00</p>	<p>Signage table AC 40 / GSAFETYNOG00</p>
--	--	---	--	---

LIMIT 500 ONE DUAL

24V Electromechanical barrier raising systems with encoder for residential, industrial or public use. For entrance up to 5 meters



TECHNICAL CHARACTERISTICS

Electrical information	LIMIT 500 ONE
Power supply	230 VAC
Operating power supply	24 VDC
Power consumption	150 W
Current input	6,2 A
Torque	100 Nm
Duty cycle	intensive use
Protection rating (IP)	IP44
Insulation class	2
Working temperature	-20°C / +50°C

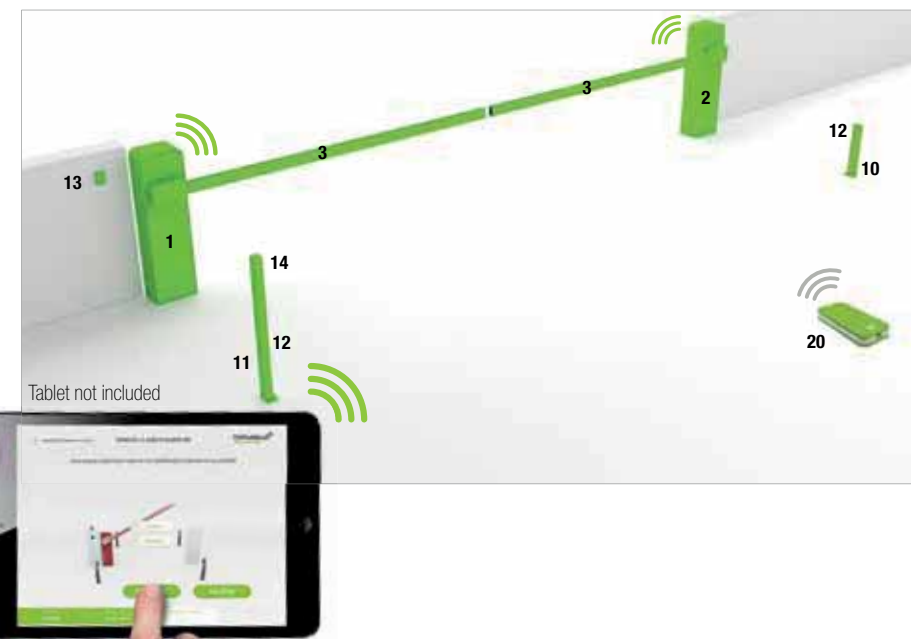
ONE TECHNOLOGY

ARTICLE	COLOUR	CODE	DESCRIPTION	PACKAGE	WEIGHT	PALETTE
LIMIT 500 ONE	■	G1L050EELOR00	Double barrier built-in control board 24V For entrance up to 5 m	1 pcs.	65 kg	6
LIMIT 500 ONE SLAVE	■	G1L05SEELOR00		1 pcs.	65 kg	6

BAR ASSEMBLY AND SPRING CHOICE

	LENGTH							
	1,50	2,00	2,50	3,00	3,50	4,00	4,50	5,00
Bar	●	●	●	●	●	●	●	●
Bar with bar cover kit	●	●	●	●	●	●	●	●
Bar with bar cover kit and lights	●	●	●	●	●	●	●	●
Bar with swing down support	●	●	●	●	●	●	●	●
Bar with bar cover kit and swing down support	●	●	●	●	●	●	●	●
Bar with bar cover kit, led and swing down support	●	●	●	●	●	●	●	●
Bar with curtain	●	●	●	●	●	●	●	●
Bar with upper bar cover and curtain	●	●	●	●	●	●	●	●
Bar with upper bar cover, led and curtain	●	●	●	●	●	●	●	●
Bar with upper bar cover, led, curtain and swing down support	●	●	●	●	●	●	●	●

● Small spring AC 530 ● Medium spring AC 540



INSTALLATION CHART

- LIMIT 500 ONE** - G1L050EELOR00
Barrier 24V, built-in control board
- LIMIT 500 ONE SLAVE** - G1L05SEELOR00
Barrier 24V SLAVE
- AC 650 - 5 m** - GLTBAR5000W00
Aluminium rectangular bar, RAL 9010
- AC 500** - GLTANCHOR0G00
Foundation kit
- AC 540** - GLTSPRINGHG00
Spring for light bar
- AC 690** - GLTTOPP500R00
Red barrier bar cover, 5 m
- AC 570** - GLTSUPPORTG00
Swing down support
- AC 700** - GLTSTOPPERW00
Bar end plug
- AC 710** - GLTPLUG010W00
Bar end plug
- MAST 50** - GMAST005NOG00
Extruded aluminium column h 50 cm
- MAST TWIN 100** - GMAST005NOG00
Extruded aluminium column h 1 meter for photocells and control accessories installation
- DART ONE** - G1DARTSTNOB00
Photocells DART RX+TX ONE
- INDEX ONE** - G1INDEXST0B00
Key operated switch
- TACT RADIO** - GTACTRADNOB00
Digital switch with radio-controller keypad
- AC-51** - G1BATTERLOG00
Battery kit
- AC 800** - GLTLED5000W00
5 m LED strip
- AC 770** - GLTSWIFINO600
Internal LED lights
- AC 660** - GLTSTRIP00W00
Reflective adhesive strips
- AC-40** - GSAFETYINO600
Signage table
- KEEP 2 RC** - GKKEEP2STNOB00
Remote control, rolling code 2 ch.

LIMIT 500 ONE DUAL

ACCESSORIES from page 198 to 205

<p>Wi-fi key ONE can be used for all ONE settings (one key for one installer)</p> <p>Wi-fi connection key K-ONE / G1KEYWIFLOG00</p>	<p>Outdoor antenna AC 30 / GANTENNANOG00</p>	<p>Foundation kit AC 500 / GLTANCHOR0G00</p>	<p>Spring for light bar AC 530 (light) / GLTSPRINGMG00 AC 540 (medium) / GLTSPRINGHG00</p>	<p>Aluminium rectangular bar, RAL 9010 AC 630 - 3m / GLTBAR3000W00 AC 640 - 4m / GLTBAR4000W00 AC 650 - 5m / GLTBAR5000W00</p>
<p>Bar end plug AC 700 / GLTSTOPPERW00</p>	<p>Bar end plug AC 715 / GLTPLUG020W00</p>	<p>Bar end plug AC 710 / GLTPLUG010W00</p>	<p>Red barrier bar cover AC 670 - 3m / GLTTOPP300R00 AC 680 - 4m / GLTTOPP400R00 AC 690 - 5m / GLTTOPP500R00</p>	<p>90° jointed rod AC 580 / GLTANG9000G00</p>
<p>Swing down support for bar AC 570 / GLTSUPPORTG00</p>				

CONTROL ACCESSORIES from page 208 to 243

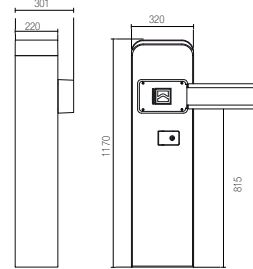
<p>Battery kit AC 51 / G1BATTERLOG00</p>	<p>Inductive sensor AC 240 / GINDUCTONOG00</p>	<p>Internal LED lights AC 770 (pack of 2 pcs) / GLTSWIFINO600</p>	<p>5 m LED strip AC 800 / GLTLED5000W00</p>	<p>Remote control, rolling code 2 ch. KEEP 2 RC / GKKEEP2STNOB00</p>
<p>Kit 5 Remote control, rolling code 2 ch. KITVICTOR / GVICTR2STNE000</p>	<p>Key operated switch INDEX ONE / G1INDEXST0B00</p>	<p>Digital switch with radio-controller keypad TACT RADIO / GTACTRADNOB00</p>	<p>Extruded aluminium column h 50 cm MAST 50 / GMAST005NOG00</p>	<p>Extruded aluminium column h 1 m for 2 photocells and control accessory MAST TWIN 100 / GMAST110NOG00</p>

SAFETY ACCESSORIES from page 244 to 251

<p>Flashing signal light SWFT ONE YELLOW / G1SWFTSYB00 SWFT ONE WHITE / G1SWFTSWB00</p>	<p>Photocells DART ONE / G1DARTSTNOB00</p>	<p>2 m curtain AC 590 / GLTHEGEO2W00</p>	<p>Reflective adhesive strips AC 660 / GLTSTRIP00W00</p>	<p>Signage table AC 40 / GSAFETYINO600</p>
---	--	--	--	--

LIMIT 500

24V Electromechanical barrier raising systems with encoder for residential, industrial or public use. For entrance up to 5 meters



TECHNICAL CHARACTERISTICS

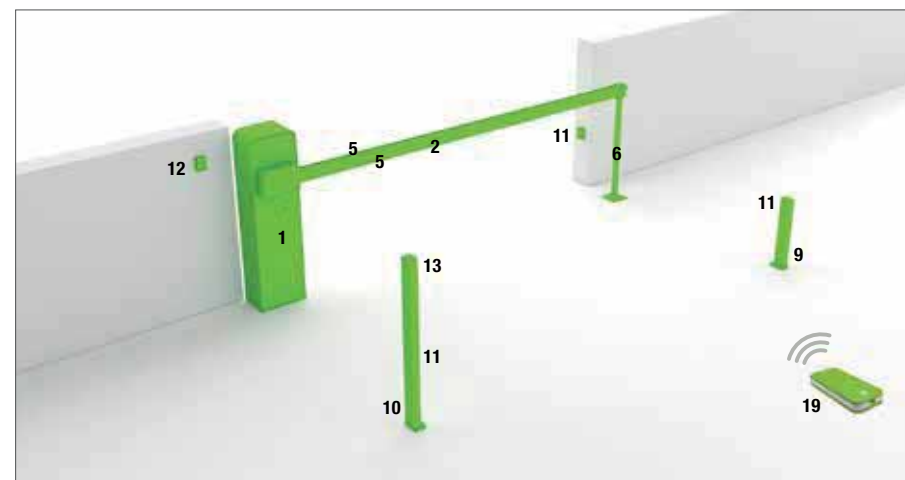
Electrical information	24V
Power supply	230 VAC
Operating power supply	24 VDC
Power consumption	150 W
Current input	6,2 A
Torque	100 Nm
Duty cycle	intensive use
Protection rating (IP)	IP44
Insulation class	2
Working temperature	-20°C / +50°C

ARTICLE	COLOUR	CODE	DESCRIPTION	PACKAGE	WEIGHT	PALETTE
■ LIMIT 500 24V	■	GLT050EELOR00	Barrier with built-in control board 24V For entrance up to 5m	1 pcs.	65 kg	6
	■ On demand	GLT050EEL0B00				
	inox On demand	GLT050EELIS00		1 pcs.	66 kg	6

BAR ASSEMBLY AND SPRING CHOICE

	LENGTH								
	1,50	2,00	2,50	3,00	3,50	4,00	4,50	5,00	
Bar	●	●	●	●	●	●	●	●	
Bar with bar cover kit	●	●	●	●	●	●	●	●	
Bar with bar cover kit and lights	●	●	●	●	●	●	●	●	
Bar with swing down support	●	●	●	●	●	●	●	●	
Bar with bar cover kit and swing down support	●	●	●	●	●	●	●	●	
Bar with bar cover kit, led and swing down support	●	●	●	●	●	●	●	●	
Bar with curtain	●	●	●	●	●	●	●	●	
Bar with upper bar cover and curtain	●	●	●	●	●	●	●	●	
Bar with upper bar cover, led and curtain	●	●	●	●	●	●	●	●	
Bar with upper bar cover, led, curtain and swing down support	●	●	●	●	●	●	●	●	

● Small spring AC 530 ● Medium spring AC 540



INSTALLATION CHART

- 1 **LIMIT 500** - GLT050EELOR00
Barrier 24V, built-in control board
- 2 **AC 650 - 5 m** - GLTBAR5000W00
Aluminium rectangular bar, RAL 9010
- 3 **AC 500** - GLTANCHOROG00
Foundation kit
- 4 **AC 540** - GLTSPRINGHG00
Spring for light bar
- 5 **AC 690** - GLTTOPP500R00
Red barrier bar cover, 5 m
- 6 **AC 560** - GLTFX0000A00
Arm nesting post
- 7 **AC 700** - GLTSTOPPERW00
Bar end plug
- 8 **AC 710** - GLTPLUG010W00
Bar end plug
- 9 **MAST 50** - GMAST005NOG00
Extruded aluminium column h 50 cm
- 10 **MAST TWIN 100** - GMAST005NOG00
Extruded aluminium column h 1 meter for photocells and control accessories installation
- 11 **DART** - GDARTSTDNOB00
Photocells
- 12 **INDEX** - GINDEXSTNOB00
Key operated switch
- 13 **TACT RADIO** - GTACTRADNOB00
Digital switch with radio-controller keypad
- 14 **AC-50** - GBATTERYLOG00
Battery kit
- 15 **AC 800** - GLTLED5000W00
5 m LED strip
- 16 **AC 770** - GLTSMFTNOG00
Internal LED lights
- 17 **AC 660** - GLTSTRIP00W00
Reflective adhesive strips
- 18 **AC-40** - GSAFETYNOG00
Signage table
- 19 **KEEP 2 RC** - GKEEP2STNOB00
Remote control, rolling code 2 ch.

LIMIT 500

ACCESSORIES from page 198 to 205

Outdoor antenna AC 30 / GANTENNANOG00	Foundation kit AC 500 / GLTANCHOROG00	Spring for light bar AC 530 (light) / GLTSPRINGMG00 AC 540 (medium) / GLTSPRINGHG00	Aluminium rectangular bar, RAL 9010 AC 630 - 3m / GLTBAR3000W00 AC 640 - 4m / GLTBAR4000W00 AC 650 - 5m / GLTBAR5000W00	Bar end plug AC 700 / GLTSTOPPERW00
Bar end plug AC 715 / GLTPLUG020W00	Bar end plug AC 710 / GLTPLUG010W00	Red barrier bar cover AC 670 - 3m / GLTTOPP300R00 AC 680 - 4m / GLTTOPP400R00 AC 690 - 5m / GLTTOPP500R00	90° jointed rod AC 580 / GLTANG9000G00	Arm nesting post AC 560 / GLTFX0000A00
Swing down support for bar AC 570 / GLTSUPPORTG00				

CONTROL ACCESSORIES from page 208 to 243

Inductive sensor AC 240 / GINDUCTNOG00	Internal LED lights AC 770 (pack of 2 pcs) / GLTSMFTNOG00	5 m LED strip AC 800 / GLTLED5000W00	Remote control, rolling code 2 ch. KEEP 2 RC / GKEEP2STNOB00	Kit 5 Remote control, rolling code 2 ch. KIT VICTOR / GVICTR2STN5000
Key operated switch INDEX / GINDEXSTNOB00	Digital switch with radio-controller keypad TACT RADIO / GTACTRADNOB00	Extruded aluminium column h 50 cm MAST 50 / GMAST005NOG00	Extruded aluminium column h 1 m for 2 photocells and control accessories MAST TWIN 100 / GMAST110NOG00	

SAFETY ACCESSORIES from page 244 to 251

Flashing signal lights SWIFT YELLOW / GSWIFTSTLYB00 SWIFT WHITE / GSWIFTSTLWB00	Photocells DART / GDARTSTDNOB00	2 m curtain AC 590 / GLTHEDGE02W00	Reflective adhesive strips AC 660 / GLTSTRIP00W00	Signage table AC 40 / GSAFETYNOG00
---	------------------------------------	---------------------------------------	--	---------------------------------------

LIMIT 500 DUAL

24V Electromechanical barrier raising systems with encoder for residential, industrial or public use. For entrance up to 5 meters



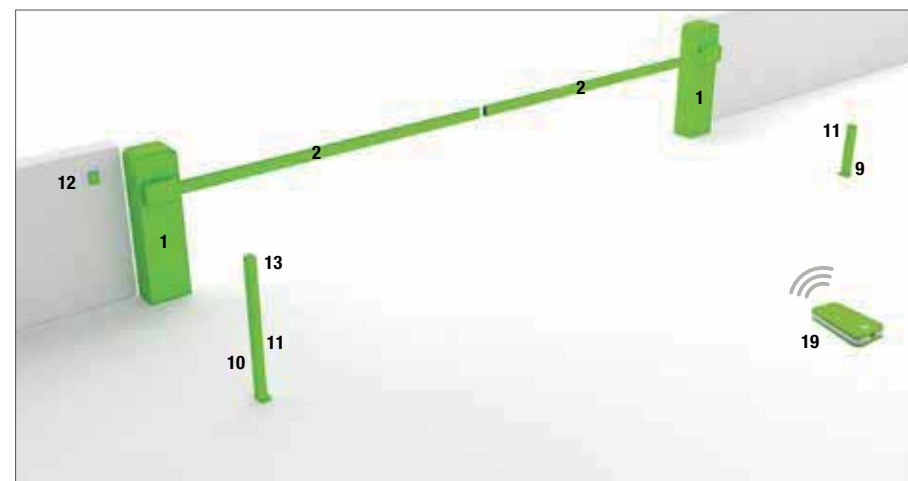
TECHNICAL CHARACTERISTICS

Electrical information	24V
Power supply	230 VAC
Operating power supply	24 VDC
Power consumption	150 W
Current input	6,2 A
Torque	100 Nm
Duty cycle	intensive use
Protection rating (IP)	IP44
Insulation class	2
Working temperature	-20°C / +50°C

ARTICLE	COLOUR	CODE	DESCRIPTION	PACKAGE	WEIGHT	PALETTE
■ LIMIT 500 24V	■	GLT050EEL0R00	Barriera built-in control board 24V For entrance up to 5 m	1 pcs.	65 kg	6

BAR ASSEMBLY AND SPRING CHOICE	LENGTH								
	1,50	2,00	2,50	3,00	3,50	4,00	4,50	5,00	
Bar	●	●	●	●	●	●	●	●	
Bar with bar cover kit	●	●	●	●	●	●	●	●	
Bar with bar cover kit and lights	●	●	●	●	●	●	●	●	
Bar with swing down support	●	●	●	●	●	●	●	●	
Bar with bar cover kit and swing down support	●	●	●	●	●	●	●	●	
Bar with bar cover kit, led and swing down support	●	●	●	●	●	●	●	●	
Bar with curtain	●	●	●	●	●	●	●	●	
Bar with upper bar cover and curtain	●	●	●	●	●	●	●	●	
Bar with upper bar cover, led and curtain	●	●	●	●	●	●	●	●	
Bar with upper bar cover, led, curtain and swing down support	●	●	●	●	●	●	●	●	

● Small spring AC 530 ● Medium spring AC 540



INSTALLATION CHART

- 2 LIMIT 500 - GLT050EEL0B00
Barrier 24V built-in control board
- 2 AC 650 - 5 m - GLTBAR5000W00
Aluminium rectangular bar, RAL 9010
- 2 AC 500 - GLTANCHOR0G00
Foundation kit
- 2 AC 540 - GLTSPRINGH600
Spring for light bar
- 2 AC 690 - GLTTOPP500R00
Red barrier bar cover, 5 m
- 2 AC 570 - GLTSUPPORTG00
Swing down support mobile
- 2 AC 700 - GLTSTOPPERW00
Bar end plug
- 2 AC 710 - GLTPLUG010W00
Bar end plug
- 1 MAST 50 - GMAST005N0G00
Extruded aluminium column h 50 cm
- 1 MAST TWIN 100 - GMAST005N0G00
Extruded aluminium column h 1 meter for photocells and control accessories installation
- 2 DART - GDARTSTDN0B00
Photocells
- 1 INDEX - GINDEXSTN0B00
Key operated switch
- 1 TACT RADIO - GTACTRADN0B00
Digital switch with radio-controller keypad
- 1 AC-50 - GBATTERYLOG00
Battery kit
- 4 AC 800 - GLTLED5000W00
5 m LED strip
- 2 AC 770 - GLTSMFTN0G00
Internal LED lights
- 2 AC 660 - GLTSTRIP00W00
Reflective adhesive strips
- 1 AC-40 - GSAFETYTNOG00
Signage table
- 1 KEEP 2 RC - GKKEEP2STN0B00
Remote control, rolling code 2 ch.

LIMIT 500 DUAL

ACCESSORIES from page 198 to 205

<p>Outdoor antenna AC 30 / GANTENNAN0G00</p>	<p>Foundation kit AC 500 / GLTANCHOR0G00</p>	<p>Spring for light bar AC 530 (light) / GLTSPRINGM600 AC 540 (medium) / GLTSPRINGH600</p>	<p>Aluminium rectangular bar, RAL 9010 AC 630 - 3m / GLTBAR3000W00 AC 640 - 4m / GLTBAR4000W00 AC 650 - 5m / GLTBAR5000W00</p>	<p>Bar end plug AC 700 / GLTSTOPPERW00</p>
<p>Bar end plug AC 715 / GLTPLUG020W00</p>	<p>Bar end plug AC 710 / GLTPLUG010W00</p>	<p>Red barrier bar cover AC 670 - 3m / GLTTOPP300R00 AC 680 - 4m / GLTTOPP400R00 AC 690 - 5m / GLTTOPP500R00</p>	<p>90° jointed rod AC 580 / GLTANG9000G00</p>	<p>Swing down support for bar AC 570 / GLTSUPPORTG00</p>

CONTROL ACCESSORIES from page 208 to 243

<p>Battery kit AC 50 / GBATTERYLOG00</p>	<p>Inductive sensor AC 240 / GINDUCTON0G00</p>	<p>Internal LED lights AC 770 (packed 2 pcs) / GLTSMFTN0G00</p>	<p>5 m LED strip AC 800 / GLTLED5000W00</p>	<p>Remote control, rolling code 2 ch. KEEP 2 RC / GKKEEP2STN0B00</p>
<p>Kit 5 Remote control, rolling code 2 ch. KITVICTOR / GVCTR2STN5C00</p>	<p>Key operated switch INDEX / GINDEXSTN0B00</p>	<p>Digital switch with radio-controller keypad TACT RADIO / GTACTRADN0B00</p>	<p>Extruded aluminium column h 50 cm MAST 50 / GMAST005N0G00</p>	<p>Extruded aluminium column h 1 m for 2 photocells and control accessory MAST TWIN 100 / GMAST110N0G00</p>

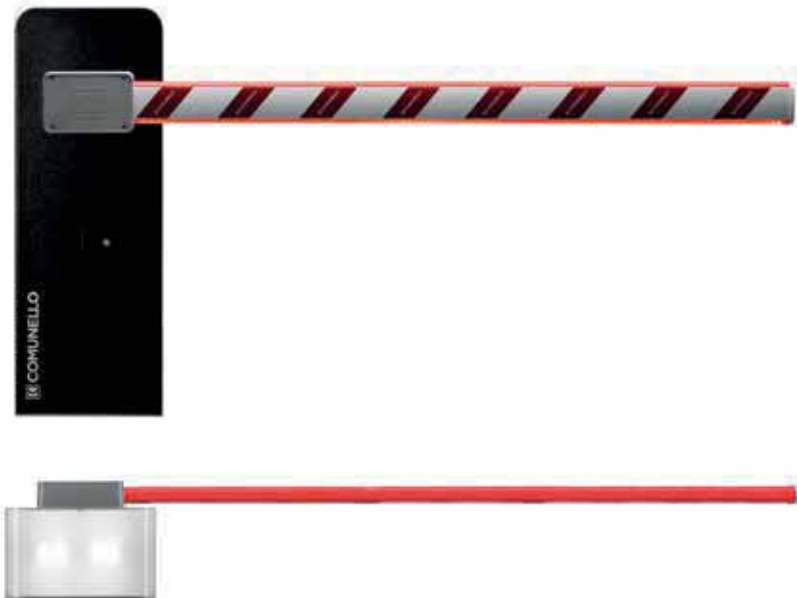
SAFETY ACCESSORIES from page 244 to 251

<p>Flashing signal lights SWIFT YELLOW / GSWIFTSTLYB00 SWIFT WHITE / GSWIFTSTLWB00</p>	<p>Photocells DART / GDARTSTDN0B00</p>	<p>2 m curtain AC 590 / GLTHEGEO2W00</p>	<p>Reflective adhesive strips AC 660 / GLTSTRIP00W00</p>	<p>Signage table AC 40 / GSAFETYTNOG00</p>
--	--	--	--	--



LIMIT 600

24V Electromechanical barrier raising systems with encoder for residential, industrial or public use. For entrance up to 6 meters

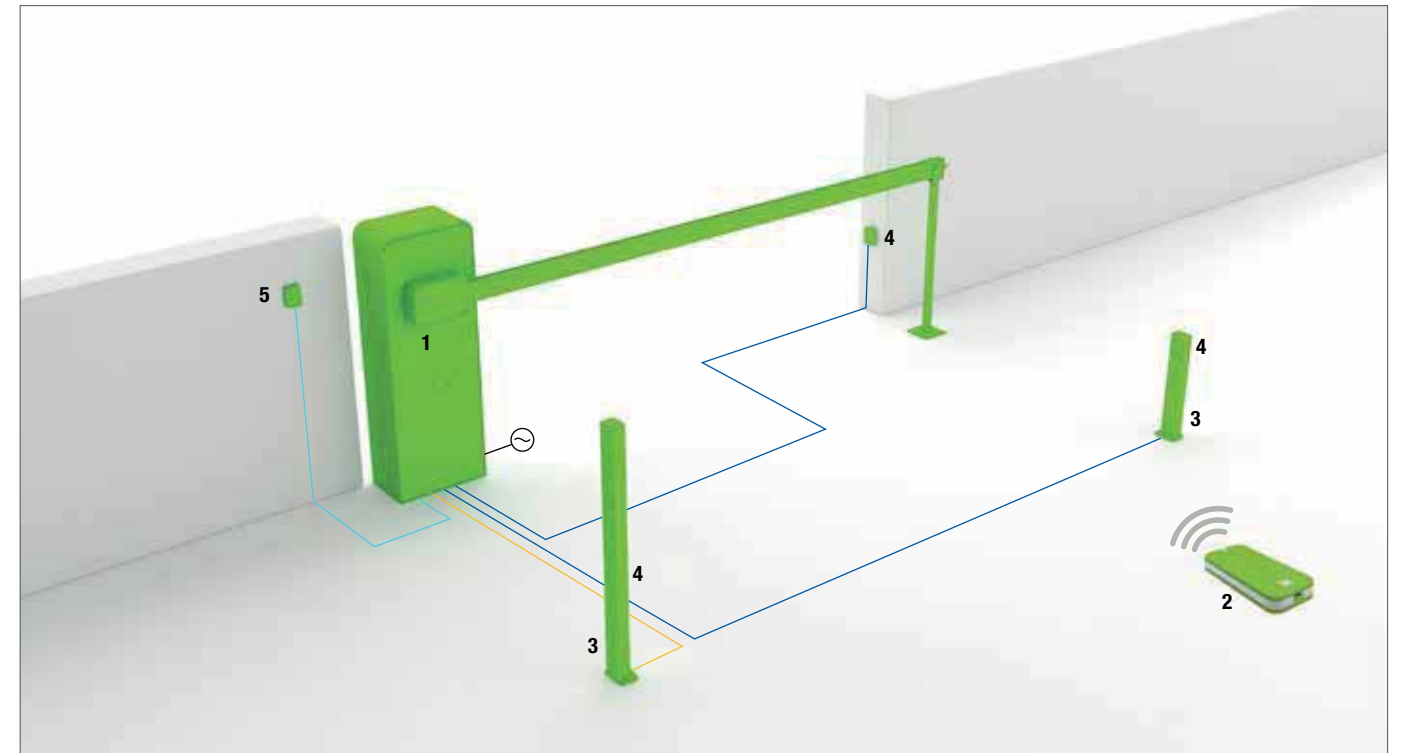


GENERAL INFORMATION

- **Powerful and fast**
Mod. LIMIT 600, 24 V version
- **Smart**
Facilitated programming from built-in limit switch and encoder. Transformation from left to right via dip switch
- **Safety**
In case of impact, movement is automatically stopped. Fold-away emergency release lever. Separate casings for electrical and mechanical components for safe access
- **Impact-resistant protective trim (optional)**
- **High performance**
Aluminium motorreductor and metal gearings. Control electronics are practical and positioned for easy access (upwards). Lightweight, durable bars. 2 balancing spring sizes are available supplied based on bar length
- **Optional version available with built-in flashing safety light**
- **Speed: from 4 to 6 sec**
- **Available in kit form**

24 VDC

INSTALLATION CHART

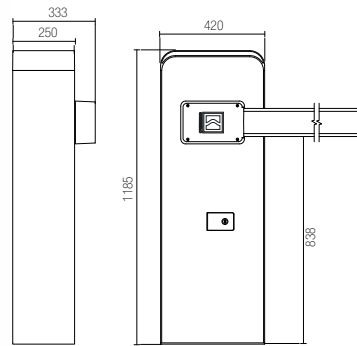


- 1 LIMIT 600
- 2 CONTROL RADIO
- 3 COLONNINE
- 4 PHOTOCELLS
- 5 KEY OPERATED SWITCH

24V	DESCRIPTION	Wire	Length (1 m / 20 m)	Length (20 m / 50 m)
—	Power supply	FROR CEI	2 x 1,5 mm ²	2 x 2,5 mm ²
—	Photocell TX	20-22 CEI	2 x 0,5 mm ²	2 x 1,0 mm ²
—	Photocell RX	EN 50267-	4 x 0,5 mm ²	4 x 1,0 mm ²
—	Key operated switch	2-1	3 x 0,5 mm ²	3 x 1,0 mm ²

LIMIT 600 ONE

24V Electromechanical barrier raising systems with encoder for residential, industrial or public use. For entrance up to 6 meters



TECHNICAL CHARACTERISTICS

Electrical information	LIMIT 600 ONE
Power supply	230 VAC
Operating power supply	24 VDC
Power consumption	150 W
Current input	6,2 A
Torque	100 Nm
Duty cycle	intensive use
Protection rating (IP)	IP44
Insulation class	2
Working temperature	-20°C / +50°C

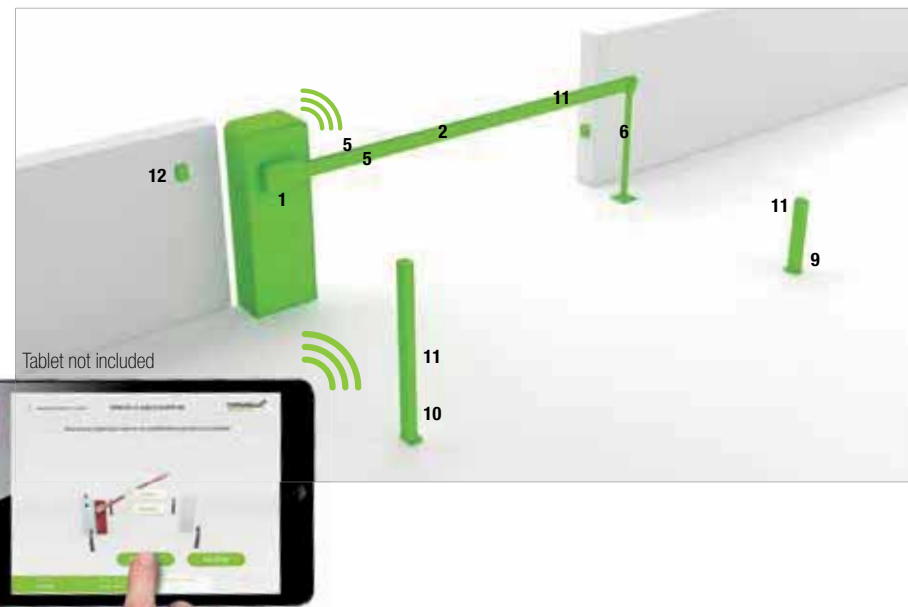
ONE TECHNOLOGY

ARTICLE	COLOUR	CODE	DESCRIPTION	PACKAGE	WEIGHT	PALETTE
■ LIMIT 600 ONE	■	G1L060EELOR00	Barrier built-in control board 24V For entrance up to 6 m	1 pcs.	65 kg	6

BAR ASSEMBLY AND SPRING CHOICE

	LENGTH									
	2,00	2,50	3,00	3,50	4,00	4,50	5,00	5,50	6,00	
Bar	●	●	●	●	●	●	●	●	●	●
Bar with bar cover kit	●	●	●	●	●	●	●	●	●	●
Bar with bar cover kit and lights	●	●	●	●	●	●	●	●	●	●
Bar with swing down support	●	●	●	●	●	●	●	●	●	●
Bar with bar cover kit and swing down support	●	●	●	●	●	●	●	●	●	●
Bar with bar cover kit, led and swing down support	●	●	●	●	●	●	●	●	●	●
Bar with curtain	●	●	●	●	●	●	●	●	●	●
Bar with upper bar cover and curtain	●	●	●	●	●	●	●	●	●	●
Bar with upper bar cover, led and curtain	●	●	●	●	●	●	●	●	●	●
Bar with upper bar cover, led, curtain and swing down support	●	●	●	●	●	●	●	●	●	●

● Small spring AC 530 ● Medium spring AC 540 ● Double spring AC 550



INSTALLATION CHART

- LIMIT 600 ONE** - G1L060EELOR00
Barrier 24V, built-in control board
- AC 655 - 6 m** - GLTBAR6000W00
Aluminium rectangular bar, RAL 9010
- AC 510** - GLTANCHOB00G00
Foundation kit
- AC 550** - GLTSPRINGH000
Spring for light bar
- AC 695** - GLTTOPP600R00
Red barrier bar cover, 6 m
- AC 560** - GLTFX0000A00
Arm nesting post
- AC 700** - GLTSTOPPERW00
Bar end plug
- AC 710** - GLTPLUG010W00
Bar end plug
- MAST 50** - GMAST005NOG00
Extruded aluminium column h 50 cm
- MAST TWIN 100** - GMAST005NOG00
Extruded aluminium column h 1 meter for photocells and control accessories installation
- DART ONE** - G1DARTSTNOB00
Photocells DART RX+TX ONE
- INDEX ONE** - G1INDEXSTOB00
Key operated switch
- AC-51** - G1BATTERLOG00
Battery kit
- AC 800** - GLTLED5000W00
5 m LED strip
- AC 770** - GLTSMFTNOG00
Internal LED lights
- AC 660** - GLTSTRIP00W00
Reflective adhesive strips

LIMIT 600 ONE

ACCESSORIES from page 198 to 205

<p>Wi-fi key ONE can be used for all ONE settings (one key for one installer)</p> <p>Wi-fi connection key K-ONE / G1KEYWIFLOG00</p>	<p>Outdoor antenna AC 30 / GANTENNANOG00</p>	<p>Foundation kit AC 510 / GLTANCHOB00G00</p>	<p>Spring for light bar AC 530 (light) / GLTSPRINGMG00 AC 540 (medium) / GLTSPRINGHG00 AC 550 (heavy) / GLTSPRINGTG00</p>	<p>Aluminium rectangular bar, RAL 9010 AC 655 - 6m / GLTBAR6000W00</p>
<p>Bar end plug AC 700 / GLTSTOPPERW00</p>	<p>Bar end plug AC 715 / GLTPLUG020W00</p>	<p>Bar end plug AC 710 / GLTPLUG010W00</p>	<p>Red barrier bar cover AC 695 - 6m / GLTTOPP600R00</p>	<p>90° jointed rod AC 580 / GLTANG9000G00</p>
<p>Arm nesting post AC 560 / GLTFX0000A00</p>	<p>Swing down support for bar AC 570 / GLTSUPPORTG00</p>			

CONTROL ACCESSORIES from page 208 to 243

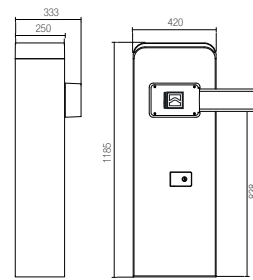
<p>Battery kit AC 51 / G1BATTERLOG00</p>	<p>Inductive sensor AC 240 / GINDUCTONOG00</p>	<p>Internal LED lights AC 770 (pack of 2 pcs) / GLTSMFTNOG00</p>	<p>5 m LED strip AC 800 / GLTLED5000W00</p>	<p>Remote control, rolling code 2 ch. KEEP 2 RC / GKEEP2STNOB00</p>
<p>Kit 5 Remote control, rolling code 2 ch. KITVICTOR / GVICTR2STNE000</p>	<p>Key operated switch INDEX ONE / G1INDEXSTOB00</p>	<p>Digital switch with radio-controller keypad TACT RADIO / GTACTRADNOB00</p>	<p>Extruded aluminium column h 50 cm MAST 50 / GMAST005NOG00</p>	<p>Extruded aluminium column h 1 m for 2 photocells and control accessories MAST TWIN 100 / GMAST110NOG00</p>

SAFETY ACCESSORIES from page 244 to 251

<p>Flashing signal light SWFT ONE YELLOW / G1SMFTSYB00 SWFT ONE WHITE / G1SMFTSYWB00</p>	<p>Photocells DART ONE / G1DARTSTNOB00</p>	<p>2 m curtain AC 590 / GLTHEDGE02W00</p>	<p>Reflective adhesive strips AC 660 / GLTSTRIP00W00</p>	<p>Signage table AC 40 / GSAFETYNOG00</p>
--	--	---	--	---

LIMIT 600 ONE DUAL

24V Electromechanical barrier raising systems with encoder for residential, industrial or public use. For entrance up to 6 meters



TECHNICAL CHARACTERISTICS

Electrical information	LIMIT 600 ONE DUAL
Power supply	230 VAC
Operating power supply	24 VDC
Power consumption	150 W
Current input	6,2 A
Torque	100 Nm
Duty cycle	intensive use
Protection rating (IP)	IP44
Insulation class	2
Working temperature	-20°C / +50°C

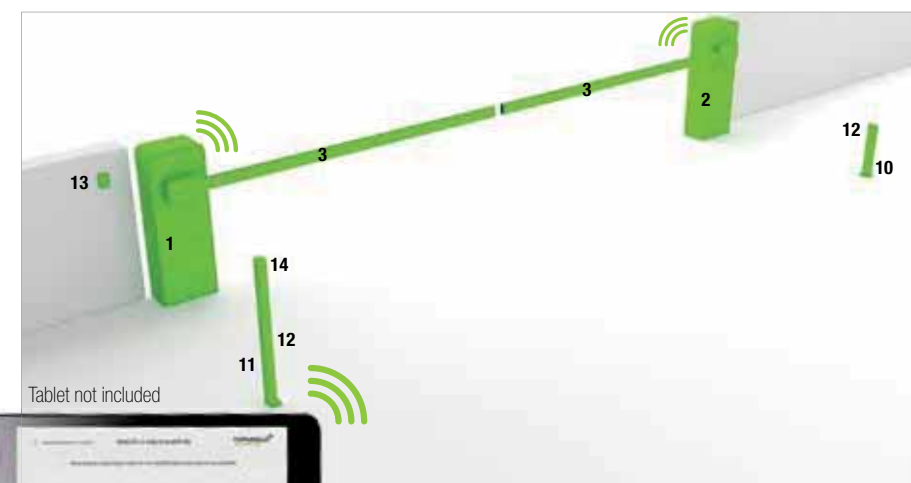
ONE TECHNOLOGY

ARTICLE	COLOUR	CODE	DESCRIPTION	PACKAGE	WEIGHT	PALETTE
LIMIT 600 ONE	■	G1L060EELOR00	Double Barrier with built-in control board 24V. For entrance up to 6 m	1 pcs.	65 kg	6
LIMIT 600 ONE SLAVE	■	G1L06SEELOR00		1 pcs.	65 kg	6

BAR ASSEMBLY AND SPRING CHOICE

	LENGTH									
	2,00	2,50	3,00	3,50	4,00	4,50	5,00	5,50	6,00	
Bar	●	●	●	●	●	●	●	●	●	●
Bar with bar cover kit	●	●	●	●	●	●	●	●	●	●
Bar with bar cover kit and lights	●	●	●	●	●	●	●	●	●	●
Bar with swing down support	●	●	●	●	●	●	●	●	●	●
Bar with bar cover kit and swing down support	●	●	●	●	●	●	●	●	●	●
Bar with bar cover kit, led and swing down support	●	●	●	●	●	●	●	●	●	●
Bar with curtain	●	●	●	●	●	●	●	●	●	●
Bar with upper bar cover and curtain	●	●	●	●	●	●	●	●	●	●
Bar with upper bar cover, led and curtain	●	●	●	●	●	●	●	●	●	●
Bar with upper bar cover, led, curtain and swing down support	●	●	●	●	●	●	●	●	●	●

● Small spring AC 530 ● Medium spring AC 540 ● Double spring AC 550



INSTALLATION CHART

- LIMIT 600 ONE** - G1L060EELOR00
Barrier 24V, built-in control board
- LIMIT 600 ONE SLAVE** - G1L06SEELOR00
Barrier 24V, SLAVE
- AC 655 - 6 m** - GLTBAR6000W00
Aluminium rectangular bar, RAL 9010
- AC 695** - GLTTOPP600R00
Red barrier bar cover, 6 m
- AC 510** - GLTANCH080G00
Foundation kit
- AC 560** - GLTFIX0000A00
Arm nesting post
- AC 700** - GLTSTOPPERW00
Bar end plug
- AC 710** - GLTPLUG010W00
Bar end plug
- MAST 50** - GMAST005NOG00
Extruded aluminium column h 50 cm
- MAST TWIN 100** - GMAST005NOG00
Extruded aluminium column h 1 meter for photocells and control accessories installation
- DART ONE** - G1DARTSTNOB00
Photocells DART RX+TX ONE
- INDEX ONE** - G1INDEXSTOB00
Key operated switch
- AC 51** - G1BATTERLOG00
Battery kit
- AC 800** - GLTLED5000W00
5 m LED strip
- AC 770** - GLTSMFTNOG00
Internal LED lights
- AC 570** - GLTSUPPORTG00
Swing down support mobile
- AC 660** - GLTSTRIP00W00
Reflective adhesive strips

LIMIT 600 ONE DUAL

ACCESSORIES from page 198 to 205

<p>Wi-fi key ONE can be used for all ONE settings (one key for one installer)</p> <p>Wi-fi connection key K-ONE / G1KEYWIFLOG00</p>	<p>Outdoor antenna AC 30 / GANTENNANOG00</p>	<p>Foundation kit AC 510 / GLTANCH080G00</p>	<p>Spring for light bar AC 530 (light) / GLTSPRINGMG00 AC 540 (medium) / GLTSPRINGHG00 AC 550 (heavy) / GLTSPRINGTG00</p>	<p>Aluminium rectangular bar, RAL 9010 AC 655 - 6m / GLTBAR6000W00</p>
<p>Bar end plug AC 700 / GLTSTOPPERW00</p>	<p>Bar end plug AC 715 / GLTPLUG020W00</p>	<p>Bar end plug AC 710 / GLTPLUG010W00</p>	<p>Red barrier bar cover AC 695 - 6m / GLTTOPP600R00</p>	<p>90° jointed rod AC 580 / GLTANG9000G00</p>
<p>Swing down support for bar AC 570 / GLTSUPPORTG00</p>				

CONTROL ACCESSORIES from page 208 to 243

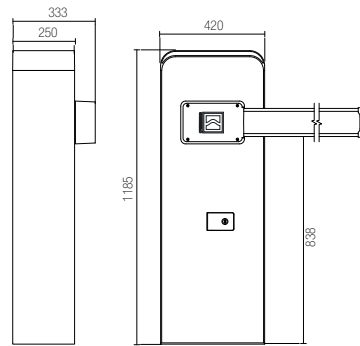
<p>Battery kit AC 51 / G1BATTERLOG00</p>	<p>Inductive sensor AC 240 / GINDUCTONOG00</p>	<p>Internal LED lights AC 770 (pack of 2 pcs) / GLTSMFTNOG00</p>	<p>5 m LED strip AC 800 / GLTLED5000W00</p>	<p>Remote control, rolling code 2 ch. KEEP 2 RC / GKEEP2STNOB00</p>
<p>Kit 5 Remote control, rolling code 2 ch. KITVICTOR / GVICTR2STNEC00</p>	<p>Key operated switch INDEX ONE / G1INDEXSTOB00</p>	<p>Digital switch with radio-controller keypad TACT RADIO / GTACTRADNOB00</p>	<p>Extruded aluminium column h 50 cm MAST 50 / GMAST005NOG00</p>	<p>Extruded aluminium column h 1 m for 2 photocells and control accessories MAST TWIN 100 / GMAST110NOG00</p>

SAFETY ACCESSORIES from page 244 to 251

<p>Flashing signal light SMFT ONE YELLOW / G1SMFTSYB00 SMFT ONE WHITE / G1SMFTSYWB00</p>	<p>Photocells DART ONE / G1DARTSTNOB00</p>	<p>2 m curtain AC 590 / GLTHEDGE02W00</p>	<p>Reflective adhesive strips AC 660 / GLTSTRIP00W00</p>	<p>Signage table AC 40 / GSAFETYNOG00</p>
--	--	---	--	---

LIMIT 600

24V Electromechanical barrier raising systems with encoder for residential, industrial or public use. For entrance up to 6 meters



TECHNICAL CHARACTERISTICS

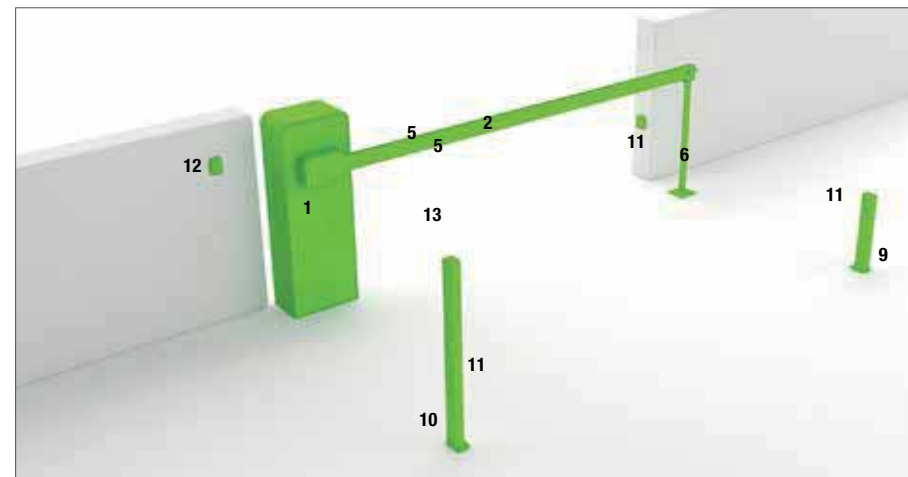
Electrical information	24V
Power supply	230 VAC
Operating power supply	24 VDC
Power consumption	150 W
Current input	6,2 A
Torque	100 Nm
Duty cycle	intensive use
Protection rating (IP)	IP44
Insulation class	2
Working temperature	-20°C / +50°C

ARTICLE	COLOUR	CODE	DESCRIPTION	PACKAGE	WEIGHT	PALETTE
■ LIMIT 600 24V	■	GLT060EELOR00	Barrier with built-in control board 24V For entrance up to 5 m	1 pcs.	65 kg	6
	■ On demand	GLT060EEL0B00				
	inox On demand	GLT060EELIS00				

BAR ASSEMBLY AND SPRING CHOICE

	LENGTH									
	2,00	2,50	3,00	3,50	4,00	4,50	5,00	5,50	6,00	
Bar	●	●	●	●	●	●	●	●	●	●
Bar with bar cover kit	●	●	●	●	●	●	●	●	●	●
Bar with bar cover kit and lights	●	●	●	●	●	●	●	●	●	●
Bar with swing down support	●	●	●	●	●	●	●	●	●	●
Bar with bar cover kit and swing down support	●	●	●	●	●	●	●	●	●	●
Bar with bar cover kit, led and swing down support	●	●	●	●	●	●	●	●	●	●
Bar with curtain	●	●	●	●	●	●	●	●	●	●
Bar with upper bar cover and curtain	●	●	●	●	●	●	●	●	●	●
Bar with upper bar cover, led and curtain	●	●	●	●	●	●	●	●	●	●
Bar with upper bar cover, led, curtain and swing down support	●	●	●	●	●	●	●	●	●	●

● Small spring AC 530 ● Medium spring AC 540 ● Double spring AC 550



INSTALLATION CHART

- 1** LIMIT 600 - GLT060EEL0B00
Barrier 24V, built-in control board
- 2** AC 655 - 6 m - GLTBAR6000W00
Aluminium rectangular bar, RAL 9010
- 3** AC 510 - GLTANCH080G00
Foundation kit
- 4** AC 540 - GLTSPRINGH00
Spring for light bar
- 5** AC 695 - GLTTPP600R00
Red barrier bar cover, 6 m
- 6** AC 560 - GLTFX000A00
Arm nesting post
- 7** AC 700 - GLTSTOPPERW00
Bar end plug
- 8** AC 710 - GLTPLUG010W00
Bar end plug
- 9** MAST 50 - GMAST005N0G00
Extruded aluminium column h 50 cm
- 10** MAST TWIN 100 - GMAST005N0G00
Extruded aluminium column h 1 meter for photocells and control accessories installation
- 11** DART - GDARTSTDN0B00
Photocells per esterno
- 12** INDEX - GINDEXSTN0B00
Key operated switch
- 13** AC-50 - GBATTERYLOG00
Battery kit
- 14** AC 800 - GLTLED5000W00
5 m LED strip
- 15** AC 770 - GLTSWIFTN0G00
Internal LED lights
- 16** AC 660 - GLTSTRIP00W00
Reflective adhesive strips

LIMIT 600

ACCESSORIES from page 198 to 205

Outdoor antenna AC 30 / GANTENNAN0G00	Foundation kit AC 510 / GLTANCH080G00	Spring for light bar AC 530 (light) / GLTSPRINGH00 AC 540 (medium) / GLTSPRINGH00 AC 550 (heavy) / GLTSPRINGH00	Aluminium rectangular bar, RAL 9010 AC 655 - 6m / GLTBAR6000W00	Bar end plug AC 700 / GLTSTOPPERW00
Bar end plug AC 715 / GLTPLUG020W00	Bar end plug AC 710 / GLTPLUG010W00	Red barrier bar cover AC 695 - 6m / GLTTPP600R00	90° jointed rod AC 580 / GLTANG9000G00	Arm nesting post AC 560 / GLTFX000A00
Swing down support for bar AC 570 / GLTSUPPORTG00	0			

CONTROL ACCESSORIES from page 208 to 243

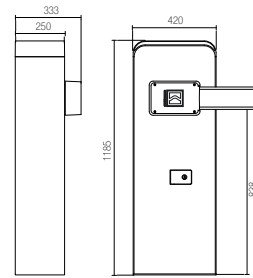
Battery kit AC 50 / GBATTERYLOG00	Inductive sensor AC 240 / GINDUCTN0G00	Internal LED lights AC 770 (pack of 2 pcs) / GLTSWIFTN0G00	5 m LED strip AC 800 / GLTLED5000W00	Remote control, rolling code 2 ch. KEEP 2 RC / GKEEP2STN0B00
Kit 5 Remote control, rolling code 2 ch. KITVICTOR / GKITR2STN6000	Key operated switch INDEX / GINDEXSTN0B00	Digital switch with radio-controller keypad TACT RADIO / GTACTRADN0B00	Extruded aluminium column h 50 cm MAST 50 / GMAST005N0G00	Extruded aluminium column h 1 m for 2 photocells and control accessory MAST TWIN 100 / GMAST110N0G00

SAFETY ACCESSORIES from page 244 to 251

Flashing signal lights SWIFT YELLOW / GSWIFTSTLYB00 SWIFT WHITE / GSWIFTSTLWB00	Photocells DART / GDARTSTDN0B00	2 m curtain AC 590 / GLTHEDGE02W00	Reflective adhesive strips AC 660 / GLTSTRIP00W00	Signage table AC 40 / GSAFETYN0G00

LIMIT 600 DUAL

24V Electromechanical barrier raising systems with encoder for residential, industrial or public use. For entrance up to 6 meters



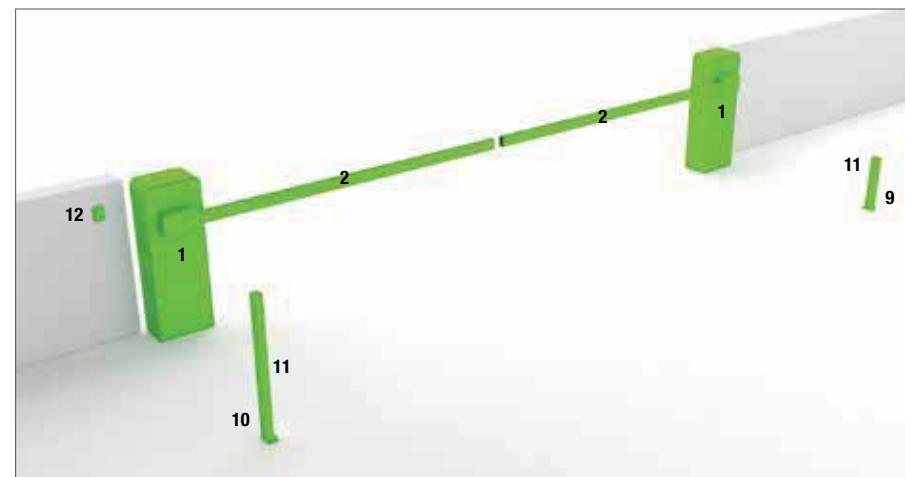
TECHNICAL CHARACTERISTICS

Electrical information	24V
Power supply	230 VAC
Operating power supply	24 VDC
Power consumption	150 W
Current input	6,2 A
Torque	100 Nm
Duty cycle	intensive use
Protection rating (IP)	IP44
Insulation class	2
Working temperature	-20°C / +50°C

ARTICLE	COLOUR	CODE	DESCRIPTION	PACKAGE	WEIGHT	PALETTE
■ LIMIT 600 24V	■	GLT060EELOR00	Barrier built-in control board 24V For entrance up to 6 m	1 pcs	65 kg	6

BAR ASSEMBLY AND SPRING CHOICE	LENGTH									
	2,00	2,50	3,00	3,50	4,00	4,50	5,00	5,50	6,00	
Bar	●	●	●	●	●	●	●	●	●	●
Bar with bar cover kit	●	●	●	●	●	●	●	●	●	●
Bar with bar cover kit and lights	●	●	●	●	●	●	●	●	●	●
Bar with swing down support	●	●	●	●	●	●	●	●	●	●
Bar with bar cover kit and swing down support	●	●	●	●	●	●	●	●	●	●
Bar with bar cover kit, led and swing down support	●	●	●	●	●	●	●	●	●	●
Bar with curtain	●	●	●	●	●	●	●	●	●	●
Bar with upper bar cover and curtain	●	●	●	●	●	●	●	●	●	●
Bar with upper bar cover, led and curtain	●	●	●	●	●	●	●	●	●	●
Bar with upper bar cover, led, curtain and swing down support	●	●	●	●	●	●	●	●	●	●

● Small spring AC 530 ● Medium spring AC 540 ● Double spring AC 550



INSTALLATION CHART

- 1 **LIMIT 600** - GLT060EELOR00
Barrier 24V, built-in control board
- 2 **AC 655 - 6 m** - GLTBAR6000W00
Aluminium rectangular bar, RAL 9010
- 3 **AC 510** - GLTANCH080G00
Foundation kit
- 4 **AC 550 (heavy)** / GLTSPRINGG00
spring
- 5 **AC 695** - GLTTOPP600R00
Red barrier bar cover, 6 m
- 6 **AC 560** - GLTFIX000A00
Arm nesting post
- 7 **AC 700** - GLTSTOPPERW00
Bar end plug
- 8 **AC 710** - GLTPLUG010W00
Bar end plug
- 9 **MAST 50** - GMAST005N0G00
Extruded aluminium column h 50 cm
- 10 **MAST TWIN 100** - GMAST005N0G00
Extruded aluminium column h 1 meter for photocells and control accessories installation
- 11 **DART** - GDARTSTDNOB00
Photocells
- 12 **INDEX** - GINDEXSTNOB00
Key operated switch
- 13 **AC-50** - GBATTERYLOG00
Battery kit
- 14 **AC 800** - GLTLED5000W00
5 m LED strip
- 15 **AC 770** - GLTSMFTNOG00
Internal LED lights
- 16 **AC 570** - GLTSUPPORTG00
Swing down support mobile
- 17 **AC 660** - GLTSTRIP00W00
Reflective adhesive strips

LIMIT 600 DUAL

ACCESSORIES from page 198 to 205

Outdoor antenna AC 30 / GANTENNAN0G00	Foundation kit AC 510 / GLTANCH080G00	Spring for light bar AC 530 (light) / GLTSPRINGM00 AC 540 (medium) / GLTSPRINGH00 AC 550 (heavy) / GLTSPRINGT00	Aluminium rectangular bar, RAL 9010 AC 655 - 6m / GLTBAR6000W00	Bar end plug AC 700 / GLTSTOPPERW00
Bar end plug AC 715 / GLTPLUG020W00	Bar end plug AC 710 / GLTPLUG010W00	Red barrier bar cover AC 695 - 6m / GLTTOPP600R00	90° jointed rod AC 580 / GLTANG9000G00	Swing down support for bar AC 570 / GLTSUPPORTG00

CONTROL ACCESSORIES from page 208 to 243

Battery kit AC 50 / GBATTERYLOG00	Inductive sensor AC 240 / GINDUCTON0G00	Internal LED lights AC 770 (pack of 2 pcs) / GLTSMFTNOG00	5 m LED strip AC 800 / GLTLED5000W00	Remote control, rolling code 2 ch. KEEP 2 RC / GKEEP2STNOB00
Kit 5 Remote control, rolling code 2 ch. KITVICTOR / GVICTR2STN5C00	Key operated switch INDEX / GINDEXSTNOB00	Digital switch with radio-controller keypad TACT RADIO / GTACTRADNOB00	Extruded aluminium column h 50 cm MAST 50 / GMAST005N0G00	Extruded aluminium column h 1 m for 2 photocells and control accessory MAST TWIN 100 / GMAST110N0G00

SAFETY ACCESSORIES from page 244 to 251

Flashing signal lights SWIFT YELLOW / GSWIFTSTLYB00 SWIFT WHITE / GSWIFTSTLWB00	Photocells DART / GDARTSTDNOB00	2 m curtain AC 590 / GLTHEDEGE02W00	Reflective adhesive strips AC 660 / GLTSTRIP00W00	Signage table AC 40 / GSAFETYTNOG00
---	------------------------------------	--	--	--

LIMIT 800

24V Electromechanical barrier raising systems with encoder for residential, industrial or public use. For entrance up to 8 meters

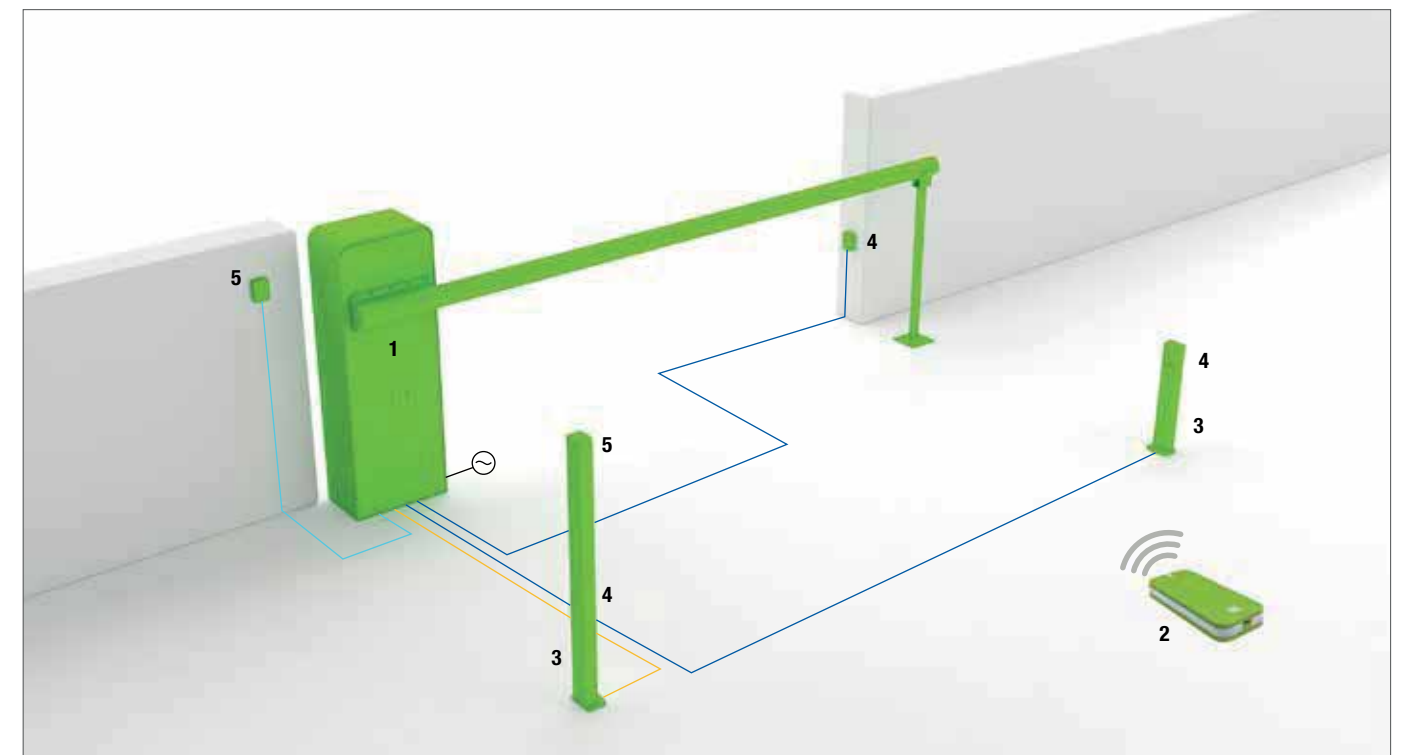


GENERAL INFORMATION

- **Powerful and fast**
Mod. LIMIT 800, 24 V version
- **Smart**
Facilitated programming from built-in limit switch and encoder. Transformation from left to right via dip switch
- **Safety**
In case of impact, movement is automatically stopped. Fold-away emergency release lever. Separate casings for electrical and mechanical components for safe access
- **High performance**
Aluminium motorreductor and metal gearings. Control electronics are practical and positioned for easy access (upwards). Lightweight, durable bars. 3 balancing spring sizes are available supplied based on bar length
- **Optional version available with built-in flashing safety light**
- **Speed: from 4 to 6 sec**
- **Available in kit form**

24 VDC

INSTALLATION CHART

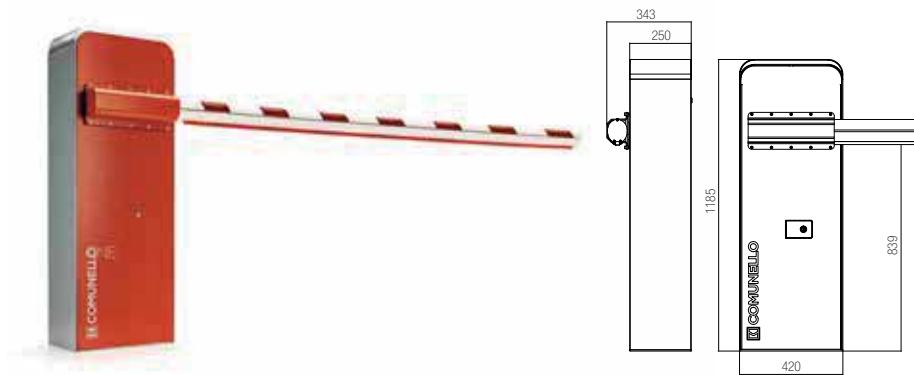


- 1 LIMIT 800
- 2 CONTROL RADIO
- 3 COLONNINE
- 4 PHOTOCCELLS
- 5 KEY OPERATED SWITCH

24V	DESCRIPTION	Wire	Length (1 m / 20 m)	Length (20 m / 50 m)
—	Power supply	FROR CEI	2 x 1,5 mm ²	2 x 2,5 mm ²
—	Photocell TX	20-22 CEI	2 x 0,5 mm ²	2 x 1,0 mm ²
—	Photocell RX	EN 50267-	4 x 0,5 mm ²	4 x 1,0 mm ²
—	Key operated switch	2-1	3 x 0,5 mm ²	3 x 1,0 mm ²

LIMIT 800 ONE

24V Electromechanical barrier raising systems with encoder for residential, industrial or public use. For entrance up to 8 meters



TECHNICAL CHARACTERISTICS

Electrical information	LIMIT 800 ONE
Power supply	230 VAC
Operating power supply	24 VDC
Power consumption	150 W
Current input	6,2 A
Torque	100 Nm
Duty cycle	40%
Protection rating (IP)	IP44
Insulation class	2
Working temperature	-20°C / +50°C

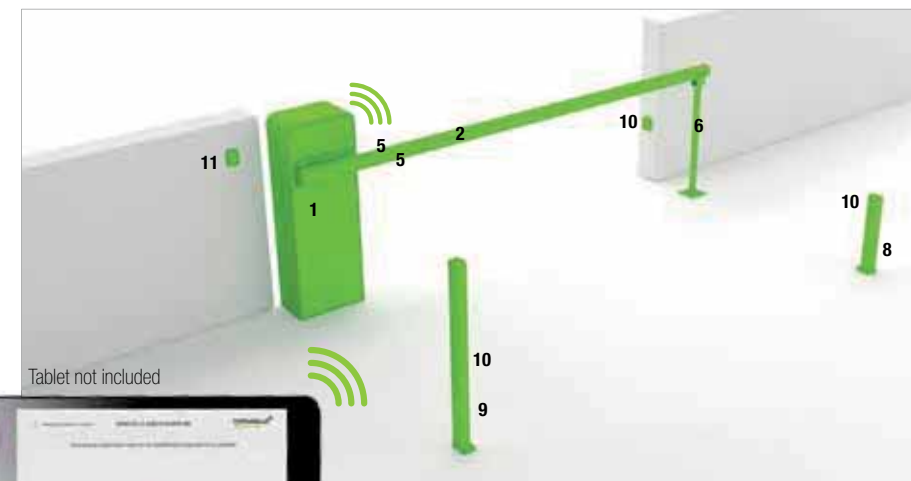
ONE TECHNOLOGY

ARTICLE	COLOUR	CODE	DESCRIPTION	PACKAGE	WEIGHT	PALETTE
■ LIMIT 800 ONE	■	G1L080EEL0R00	Barrier with built-in control board 24V For entrance up to 8 m	1 pcs	95 kg	6

BAR ASSEMBLY AND SPRING CHOICE

	LENGTH				
	6,00	6,50	7,00	7,50	8,00
Bar with joint, plug	●	●	●	●	●
Bar with joint, plug and lights	●	●	●	●	●
Bar with joint, plug and red barrier bar cover	●	●	●	●	●
Bar with joint, plug, red barrier bar cover and lights	●	●	●	●	●
Bar with joint, plug and swing down support	●	●	●	●	●
Bar with joint, plug, swing down support and lights	●	●	●	●	●
Bar with joint, plug, swing down support, lights and red barrier bar cover	●	●	●	●	●
Bar with joint, plug and curtain	●	●	●	●	●
Bar with joint, plug, curtain and lights	●	●	●	●	●
Bar with joint, plug, curtain, lights and swing down support	●	●	●	●	●

● Double spring AC 550



INSTALLATION CHART

- 1 LIMIT 800 ONE** - G1L080EEL0R00
Barrier 24V, built-in control board
- 2 AC 741 - 4 m** - GLTBAR40TOW00
Circular barrier white RAL 9010
- 1 AC 510** - GLTANCH080G00
Foundation kit
- 1 AC 550** - GLTSPRINGH300
Spring for light bar
- 2 AC 681** - GBRTOPP400R00
Red barrier bar cover, 4 m
- 1 AC 560** - GLTFIX0000A00
Arm nesting post
- 1 AC 700** - GLTSTOPPERW00
Bar end plug
- 1 MAST 50** - GMAST005NOG00
Extruded aluminium column h 50 cm
- 1 MAST TWIN 100** - GMAST005NOG00
Extruded aluminium column h 1 meter for photocells and control accessories installation
- 2 DART ONE** - G1DARTSTNOB00
Photocells DART RX+TX ONE
- 1 INDEX ONE** - G1INDEXSTOB00
Key operated switch
- 1 AC-51** - G1BATTERLOG00
Battery kit
- 2 AC 770** - GLTSMFTNOG00
Internal LED lights
- 1 AC 660** - GLTSTRIP00W00
Reflective adhesive strips

LIMIT 800 ONE

ACCESSORIES from page 198 to 205

Wi-fi key ONE can be used for all ONE settings (one key for one installer) K-ONE / G1KEYWIFLOG00	Outdoor antenna AC 30 / GANTENNANOG00	Foundation kit AC 510 / GLTANCH080G00	Spring for light bar AC 540 (medium) / GLTSPRINGH300 AC 550 (heavy) / GLTSPRINGTG00	Bar end plug AC 700 / GLTSTOPPERW00
Circular barrier white RAL 9010 AC 731-3m / GLTBAR30TOW00 AC 741-4m / GLTBAR40TOW00 AC 751-5m / GLTBAR50TOW00	Round bar joint AC 765 / GLTJOINTOG00	Red barrier bar cover AC 671 - 3m / GBRTOPP300R00 AC 681 - 4m / GBRTOPP400R00 AC 691 - 5m / GBRTOPP500R00	Swing down support for bar AC 570 / GLTSUPPORTG00	Round bar plug AC 719 / GLTPLUG040W00

CONTROL ACCESSORIES from page 208 to 243

Battery kit AC 51 / G1BATTERLOG00	Inductive sensor AC 240 / GINDUCTONOG00	Internal LED lights AC 770 (pack of 2 pcs) / GLTSMFTNOG00	8 m LED strip AC 778 / GLTLED80TOW00	Remote control, rolling code 2 ch. KEEP 2 RC / GKEEP2STNOB00
Kit 5 Remote control, rolling code 2 ch. KITVICTOR / G1CTR2STNE000	Key operated switch INDEX ONE / G1INDEXSTOB00	Digital switch with radio-controller keypad TACT RADIO / G1ACTRADNOB00	Extruded aluminium column h 50 cm MAST 50 / GMAST005NOG00	Extruded aluminium column h 1 m for 2 photocells and control accessories MAST TWIN 100 / GMAST110NOG00

SAFETY ACCESSORIES from page 244 to 251

Flashing signal light SWFT ONE YELLOW / G1SMFTSYB00 SWFT ONE WHITE / G1SMFTSM000	Photocells DART ONE / G1DARTSTNOB00	2 m curtain AC 590 / GLTGHEDGE02W00	Reflective adhesive strips AC 660-30 pcs / GLTSTRIP00W00	Signage table AC 40 / GSAFETYNOG00
---	---	---	--	--

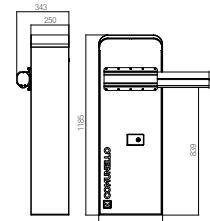
LIMIT 800 ONE DUAL

24V Electromechanical double barrier raising systems with encoder for residential, industrial or public use For entrance up to 8 m



TECHNICAL CHARACTERISTICS

Electrical information	LIMIT 800 DUAL ONE
Power supply	230 VAC
Operating power supply	24 VDC
Power consumption	150 W
Current input	6,2 A
Torque	100 Nm
Duty cycle	40%
Protection rating (IP)	IP44
Insulation class	2
Working temperature	-20°C / +50°C



ONE TECHNOLOGY

ARTICLE	COLOUR	CODE	DESCRIPTION	PACKAGE	WEIGHT	PALETTE
LIMIT 800 ONE	Red	G1L080EEL0R00	Double Barrier with built-in control board 24V For entrance up to 8 m	1 pcs.	95 kg	6
LIMIT 800 ONE SLAVE	Red	G1L086EEL0R00		1 pcs.	95 kg	6

BAR ASSEMBLY AND SPRING CHOICE	LENGTH					
	6,00	6,50	7,00	7,50	8,00	
Bar with joint, plug	●	●	●	●	●	
Bar with joint, plug and lights	●	●	●	●	●	
Bar with joint, plug and red barrier bar cover	●	●	●	●	●	
Bar with joint, plug, red barrier bar cover and lights	●	●	●	●	●	
Bar with joint, plug and swing down support	●	●	●	●	●	
Bar with joint, plug, swing down support and lights	●	●	●	●	●	
Bar with joint, plug, swing down support, lights and red barrier bar cover	●	●	●	●	●	
Bar with joint, plug and curtain	●	●	●	●	●	
Bar with joint, plug, curtain and lights	●	●	●	●	●	
Bar with joint, plug, curtain, lights and swing down support	●	●	●	●	●	

● Double spring AC 550



INSTALLATION CHART

- 1 LIMIT 800 ONE** - G1L080EEL0R00
Barrier 24V, built-in control board
- 1 LIMIT 800 ONE SLAVE** - G1L086EEL0R00
Barrier 24V, SLAVE
- 4 AC 741 - 4 m** - GLTBA40TOW00
Circular barrier white RAL 9010
- 4 AC 681** - GBRTOPP40OR00
Red barrier bar cover, 4 m
- 4 AC 681** - GBRTOPP40OR00
Red barrier bar cover, 4 m
- 1 AC 550** - GLTSPRINGHG00
Spring for light bar
- 1 MAST 50** - GMAST005NOG00
Extruded aluminium column h 50 cm
- 1 MAST TWIN 100** - GMAST005NOG00
Extruded aluminium column h 1 meter for photocells and control accessories installation
- 2 DART ONE** - G1DARTSTNOB00
Photocells DART RX+TX ONE
- 1 INDEX ONE** - G1INDEXSTOB00
Key operated switch
- 5 AC 800** - GLTLED5000W00
5 m LED strip
- 2 AC-51** - G1BATTERLOG00
Battery kit
- 6 AC 770** - GLTSMFTNOG00
Internal LED lights
- 2 AC 570** - GLTSUPPORTG00
Swing down support mobile

LIMIT 800 ONE DUAL

ACCESSORIES from page 198 to 205

Wi-fi connection key K-ONE / G1KEYWIFLOG00	Outdoor antenna AC 30 / GANTENNANOG00	Foundation kit AC 510 / GLTANCHOB0G00	Spring for light bar AC 550 (heavy) / GLTSPRINGTG00	Bar end plug AC 700 / GLTSTOPPERW00
Circular barrier white RAL 9010 AC 731-3m / GLTBA30TOW00 AC 741-4m / GLTBA40TOW00 AC 751-5m / GLTBA50TOW00	Round bar joint AC 765 / GLTJOINTOG00	Red barrier bar cover AC 671 - 3m / GBRTOPP30OR00 AC 681 - 4m / GBRTOPP40OR00 AC 691 - 5m / GBRTOPP50OR00	Swing down support for bar AC 570 / GLTSUPPORTG00	Round bar plug AC 719 / GLTPLUG040W00

CONTROL ACCESSORIES from page 208 to 243

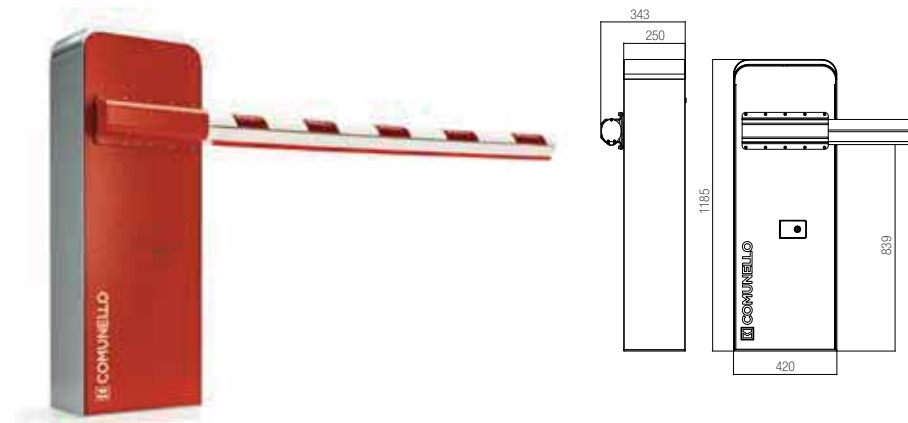
Battery kit AC 51 / G1BATTERLOG00	Inductive sensor AC 240 / GINDUCTONOG00	Internal LED lights AC 770 (packed 2 pcs) / GLTSMFTNOG00	8 m LED strip AC 778 / GLTLED80TOW00	Remote control, rolling code 2 ch. KEEP 2 RC / GKEEP2STNOB00
Kit 5 Remote control, rolling code 2 ch. KITVICTOR / GVICTR2STNEC00	Key operated switch INDEX ONE / G1INDEXSTOB00	Digital switch with radio-controller keypad TACT RADIO / GTACTRADNOB00	Extruded aluminium column h 50 cm MAST 50 / GMAST005NOG00	Extruded aluminium column h 1 m for 2 photocells and control accessories MAST TWIN 100 / GMAST110NOG00

SAFETY ACCESSORIES from page 244 to 251

Flashing signal light SWFT ONE YELLOW / G1SWFTSYB00 SWFT ONE WHITE / G1SWFTSWB00	Photocells DART ONE / G1DARTSTNOB00	2 m curtain AC 590 / GLTGEDGE02W00	Reflective adhesive strips AC 660-30 pcs. / GLTSTRIP00W00	Signage table AC 40 / GSAFETYNOG00
--	--	---------------------------------------	--	---------------------------------------

LIMIT 800

24V Electromechanical barrier raising systems with encoder for residential, industrial or public use. For entrance up to 8 meters



TECHNICAL CHARACTERISTICS

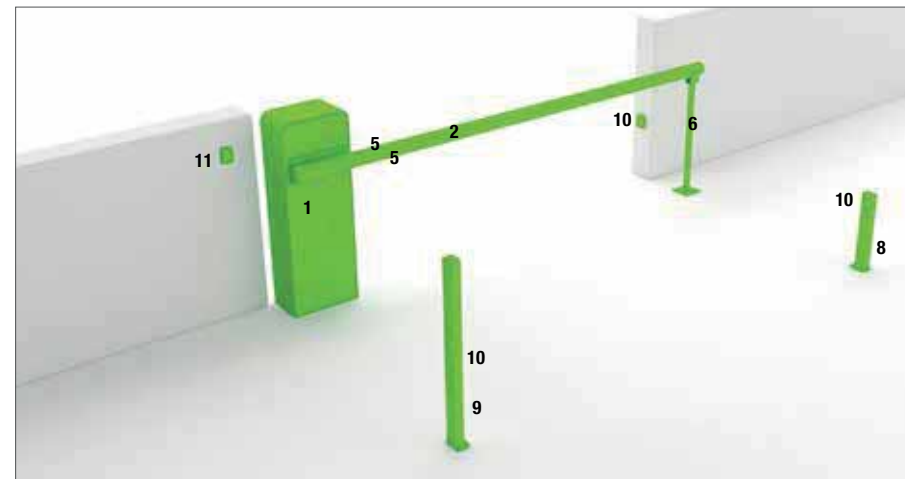
Electrical information	LIMIT 800
Power supply	230 VAC
Operating power supply	24 VDC
Power consumption	150 W
Current input	6,2 A
Torque	100 Nm
Duty cycle	40%
Protection rating (IP)	IP44
Insulation class	2
Working temperature	-20°C / +50°C

ARTICLE	COLOUR	CODE	DESCRIPTION	PACKAGE	WEIGHT	PALETTE
■ LIMIT 800 24V	■	GLT080EELOR00	Barrier with built-in control board 24V For entrance up to 8 m	1 pcs	95 kg	6
	■ On demand	GLT080EEL0B00				
	inox On demand	GLT080EELIS00				

BAR ASSEMBLY AND SPRING CHOICE

	LENGTH				
	6,00	6,50	7,00	7,50	8,00
Bar with joint, plug	●	●	●	●	●
Bar with joint, plug and lights	●	●	●	●	●
Bar with joint, plug and red barrier bar cover	●	●	●	●	●
Bar with joint, plug, red barrier bar cover and lights	●	●	●	●	●
Bar with joint, plug and swing down support	●	●	●	●	●
Bar with joint, plug, swing down support and lights	●	●	●	●	●
Bar with joint, plug, swing down support, lights and red barrier bar cover	●	●	●	●	●
Bar with joint, plug and curtain	●	●	●	●	●
Bar with joint, plug, curtain and lights	●	●	●	●	●
Bar with joint, plug, curtain, lights and swing down support	●	●	●	●	●

● Double spring AC 550



INSTALLATION CHART

- 1 LIMIT 800** - GLT080EELOR00
Barrier with built-in control board 24V veloce
- 2 AC 741 - 4 m** - GLTBA40TOW00
Circular barrier white RAL 9010
- 1 AC 510** - GLTANCHOB0G00
Foundation kit
- 1 AC 550** - GLTSPRINGH00
Spring for light bar
- 2 AC 681** - GBRTOPP40OR00
Red barrier bar cover, 4 m
- 1 AC 560** - GLTFIX000A00
Arm nesting post
- 1 AC 700** - GLTSTOPPERW00
Bar end plug
- 1 MAST 50** - GMAST005NOG00
Extruded aluminium column h 50 cm
- 1 MAST TWIN 100** - GMAST005NOG00
Extruded aluminium column h 1 meter for photocells and control accessories installation
- 2 DART** - GDARTSTDNOB00
Photocells per esterno
- 1 INDEX** - GINDEXSTNOB00
Key operated switch
- 1 AC-50** - GBATTERYLOG00
Battery kit
- 3 AC 800** - GLTLED5000W00
5 m LED strip
- 2 AC 770** - GLTSMFTNOG00
Internal LED lights
- 1 AC 660** - GLTSTRIP00W00
Reflective adhesive strips

LIMIT 800

ACCESSORIES from page 198 to 205

Outdoor antenna AC 30 / GANTENNANOG00	Foundation kit AC 510 / GLTANCHOB0G00	Spring for light bar AC 550 (heavy) / GLTSPRINGT000	Bar end plug AC 700 / GLTSTOPPERW00	Circular barrier white RAL 9010 AC 731-3m / GLTBA30TOW00 AC 741-4m / GLTBA40TOW00 AC 751-5m / GLTBA50TOW00
Round bar joint AC 765 / GLTJOINTOG00	Red barrier bar cover AC 681 - 5m / GLTOPP500R00	Swing down support for bar AC 570 / GLTSUPPORTG00	Round bar plug AC 719 / GLTPLUG040W00	

CONTROL ACCESSORIES from page 208 to 243

Battery kit AC 50 / GBATTERYLOG00	Inductive sensor AC 240 / GINDUCTONOG00	Internal LED lights AC 770 (packed 2 pcs) / GLTSMFTNOG00	8 m LED strip AC 778 / GLTLED80TOW00	Remote control, rolling code 2 ch. KEEP 2 RC / GKEEP2STNOB00
Kit 5 Remote control, rolling code 2 ch. KITVICTOR / GVICTR2STNE000	Key operated switch INDEX / GINDEXSTNOB00	Digital switch with radio-controller keypad TACT RADIO / GTACTRADNOB00	Extruded aluminium column h 50 cm MAST 50 / GMAST005NOG00	Extruded aluminium column h 1 m for 2 photocells and control accessory MAST TWIN 100 / GMAST110NOG00

SAFETY ACCESSORIES from page 244 to 251

Flashing signal lights SWIFT YELLOW / GSWIFTSTLYB00 SWIFT WHITE / GSWIFTSTLWB00	Photocells DART / GDARTSTDNOB00	2 m curtain AC 590 / GLTHEDGE02W00	Reflective adhesive strips AC 660-30 pcs. / GLTSTRIP00W00	Signage table AC 40 / GSAFETYNOG00

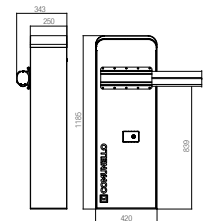
LIMIT 800 DUAL

24V Electromechanical double barrier raising systems with encoder for residential, industrial or public use For entrance up to 8 m



TECHNICAL CHARACTERISTICS

Electrical information	LIMIT 800
Power supply	230 VAC
Operating power supply	24 VDC
Power consumption	150 W
Current input	6,2 A
Torque	100 Nm
Duty cycle	40%
Protection rating (IP)	IP44
Insulation class	2
Working temperature	-20°C / +50°C

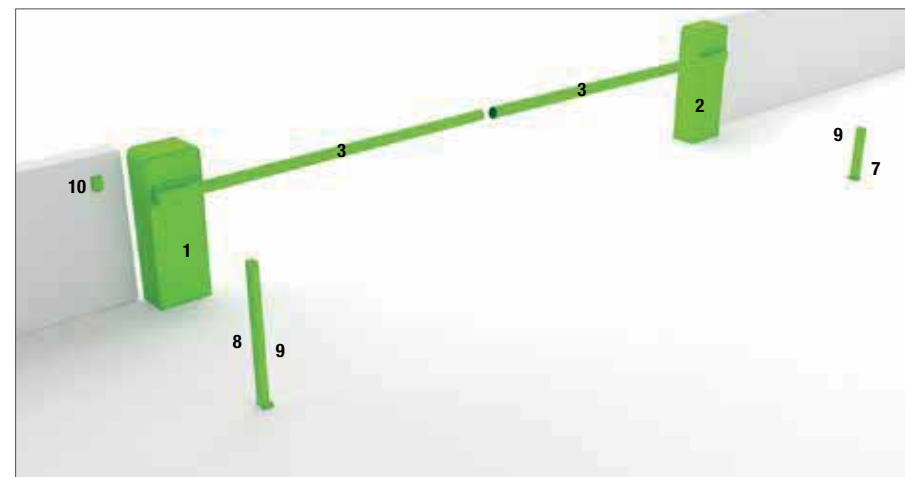


ARTICLE	COLOUR	CODE	DESCRIPTION	PACKAGE	WEIGHT	PALETTE
■ LIMIT 800 24V	■	GLT080EELOR00	Barrier with built-in control board 24V For entrance up to 8 m	1 pcs.	95 kg	6

BAR ASSEMBLY AND SPRING CHOICE

	LENGTH				
	6,00	6,50	7,00	7,50	8,00
Bar with joint, plug	●	●	●	●	●
Bar with joint, plug and lights	●	●	●	●	●
Bar with joint, plug and red barrier bar cover	●	●	●	●	●
Bar with joint, plug, red barrier bar cover and lights	●	●	●	●	●
Bar with joint, plug and swing down support	●	●	●	●	●
Bar with joint, plug, swing down support and lights	●	●	●	●	●
Bar with joint, plug, swing down support, lights and red barrier bar cover	●	●	●	●	●
Bar with joint, plug and curtain	●	●	●	●	●
Bar with joint, plug, curtain and lights	●	●	●	●	●
Bar with joint, plug, curtain, lights and swing down support	●	●	●	●	●

● Double spring AC 550



INSTALLATION CHART

- 2 LIMIT 800 DUAL** - GLT080EELOR00
Barrier with built-in control board 24V veloce
- 4 AC 741 - 4 m** - GLTBAR40TOW00
Circular barrier white RAL 9010
- 4 AC 681** - GBRTOPP40OR00
Red barrier bar cover, 4 m
- 2 AC 510** - GLTANCH080G00
Foundation kit
- 1 AC 550** - GLTSPRINGHG00
Spring for light bar
- 1 MAST 50** - GMAST005NOG00
Extruded aluminium column h 50 cm
- 1 MAST TWIN 100** - GMAST005NOG00
Extruded aluminium column h 1 meter for photocells and control accessories installation
- 2 DART** - GDARTSTDNOB00
Photocells per esterno
- 1 INDEX** - GINDEXSTNOB00
Key operated switch
- 1 AC-50** - GBATTERYLOG00
Battery kit
- 4 AC 800** - GLTLED5000W00
5 m LED strip
- 2 AC 770** - GLTSMFTNOG00
Internal LED lights
- 2 AC 560** - GLTFIX0000A00
Arm nesting post
- 2 AC 660** - GLTSTRIP00W00
Reflective adhesive strips

LIMIT 800 DUAL



ACCESSORIES from page 198 to 205

 Outdoor antenna AC 30 / GANTENNANOG00	 Foundation kit AC 510 / GLTANCH080G00	 Spring for light bar AC 550 (heavy) / GLTSPRINGHG00	 Bar end plug AC 700 / GLTSTOPPERW00	 Circular barrier white RAL 9010 AC 731-3m / GLTBAR30TOW00 AC 741-4m / GLTBAR40TOW00 AC 751-5m / GLTBAR50TOW00
 Round bar joint AC 765 / GLTJOINTG00	 Red barrier bar cover AC 690 - 5m / GLTOPP500R00	 Swing down support for bar AC 570 / GLTSUPPORTG00	 Round bar plug AC 719 / GLTPLUG040W00	

CONTROL ACCESSORIES from page 208 to 243

 Battery kit AC 50 / GBATTERYLOG00	 Inductive sensor AC 240 / GINDUCTONOG00	 Internal LED lights AC 770 (packed 2 pcs) / GLTSMFTNOG00	 8 m LED strip AC 778 / GLTLED80TOW00	 Remote control, rolling code 2 ch. KEEP 2 RC / GKEEP2STNOB00
 Kit 5 remote control, rolling code 2 ch. KITVICTOR / GVCTR2STNEC00	 Key operated switch INDEX / GINDEXSTNOB00	 Digital switch with radio-controller keypad TACT RADIO / GTACTRADNOB00	 Extruded aluminium column h 50 cm MAST 50 / GMAST005NOG00	 Extruded aluminium column h 1 m for 2 photocells and control accessories MAST TWIN 100 / GMAST110NOG00

SAFETY ACCESSORIES from page 244 to 251

 Flashing signal lights SWIFT YELLOW / GSWIFTSTLYB00 SWIFT WHITE / GSWIFTSTLWB00	 Photocells DART / GDARTSTDNOB00	 2 m curtain AC 590 / GLTHEDGE02W00	 Reflective adhesive strips AC 660-30 pcs. / GLTSTRIP00W00	 Signage table AC 40 / GSAFETYNOG00
--	---	--	---	--

5 Accessories



5.1
MECHANICAL ACCESSORIES 184



5.2
CONTROL UNIT 208



5.3
CONTROL ACCESSORIES 218



5.4
SAFETY ACCESSORIES 244



5.5
WIRING DIAGRAMS 252



AC 30

Outdoor antenna L = 3 m



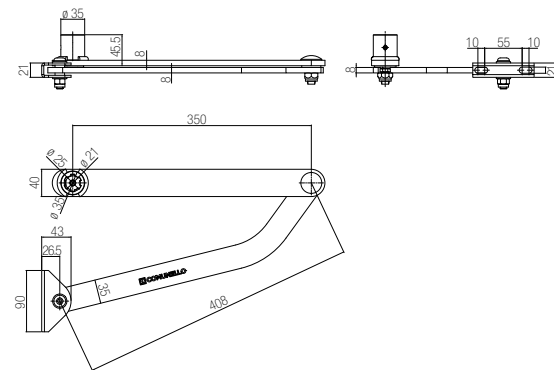
CODE	ARTICLE	PACKAGE	WEIGHT
GANTENNANOG00	AC 30	1 pcs.	0,20 kg

AC 100

Reversible long articulated arm



DIMENSIONS



only for CONDOR 500

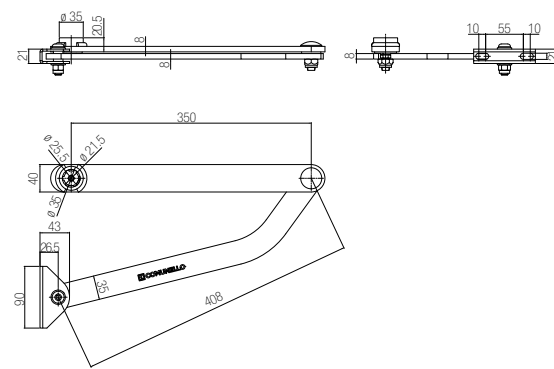
CODE	ARTICLE	PACKAGE	WEIGHT
GCR001BANOG00	AC 100	1 pcs.	2,90 kg

AC 101

Reversible long articulated arm



DIMENSIONS



only for CONDOR 220 / 300

CODE	ARTICLE	PACKAGE	WEIGHT
GCR004BANOG00	AC 101	1 pcs.	2,90 kg

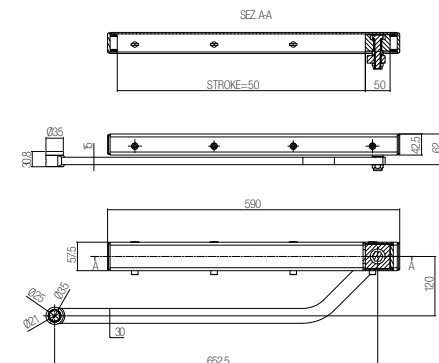
AC 108

Slide arm

CONDOR 220/350 SERIE

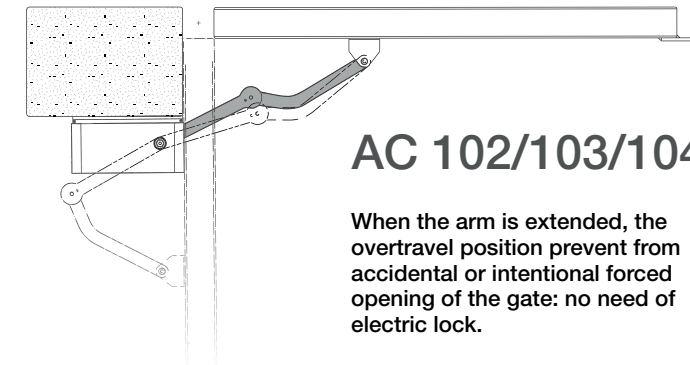


DIMENSIONS



For mechanical limit switch

CODE	ARTICLE	PACKAGE	WEIGHT
GCR008BANOB00	AC 108	1 pcs.	5,10 kg



AC 102/103/104

When the arm is extended, the overtravel position prevent from accidental or intentional forced opening of the gate: no need of electric lock.

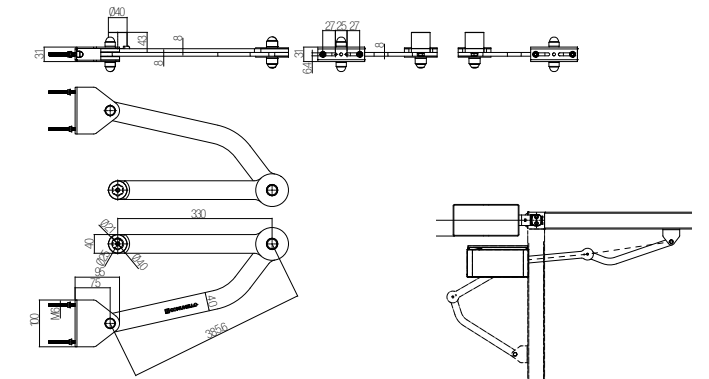
AC 102

Reversible long articulated arm

CONDOR 500 SERIE



DIMENSIONS



Coated, with blocking system. For mechanical limit switch

CODE	ARTICLE	PACKAGE	WEIGHT
GCR001BANOB00	AC 102	1 pcs.	6,30 kg

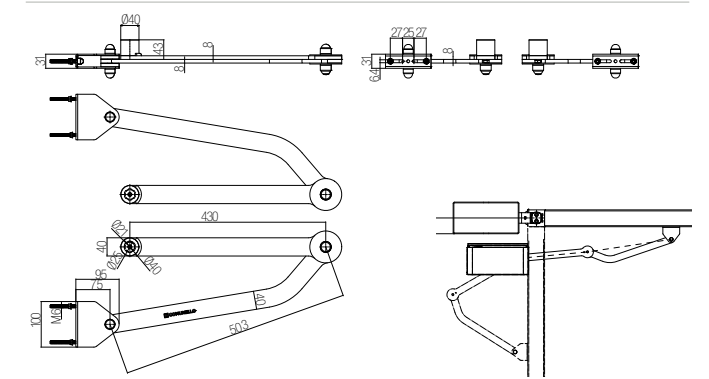
AC 103

Reversible long articulated arm

CONDOR 500 SERIE



DIMENSIONS



Coated, with blocking system. For mechanical limit switch

CODE	ARTICLE	PACKAGE	WEIGHT
GCR002BANOB00	AC 103	1 pcs.	7,40 kg

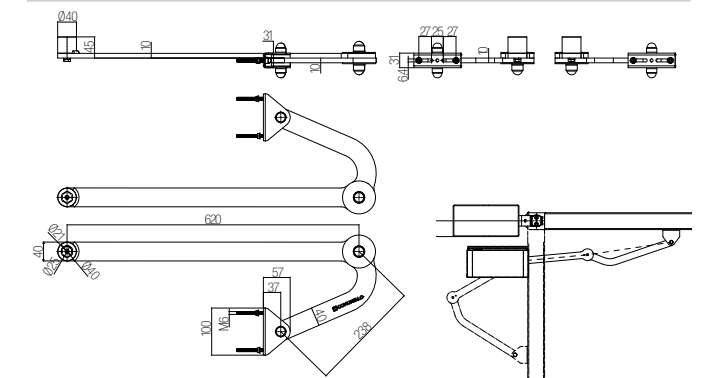
AC 104

Reversible long articulated arm

CONDOR 500 SERIE



DIMENSIONS



Coated, with blocking system. For mechanical limit switch

CODE	ARTICLE	PACKAGE	WEIGHT
GCR003BANOB00	AC 104	1 pcs.	8,20 kg

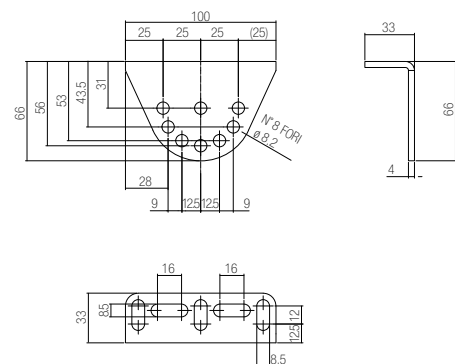


AC 60

Galvanized adjustable rear bracket



DIMENSIONS



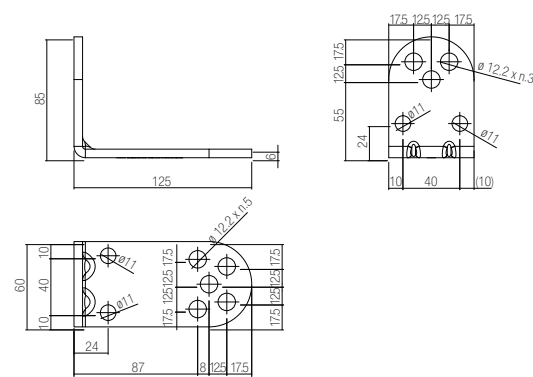
CODE	ARTICLE	PACKAGE	WEIGHT
GAS001ASN0600	AC 60	1 pcs.	0,17 kg

AC 70

Galvanized adjustable rear bracket



DIMENSIONS



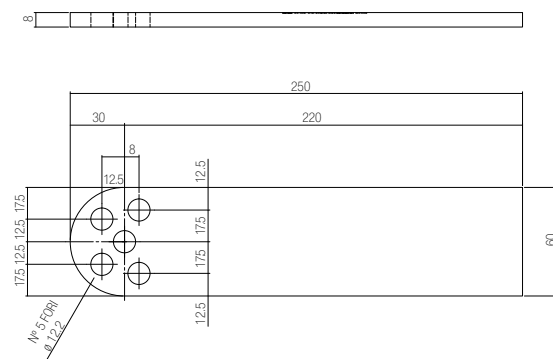
CODE	ARTICLE	PACKAGE	WEIGHT
GAS002ASN0600	AC 70	1 pcs.	0,50 kg

AC 80

Galvanized long rear bracket



DIMENSIONS



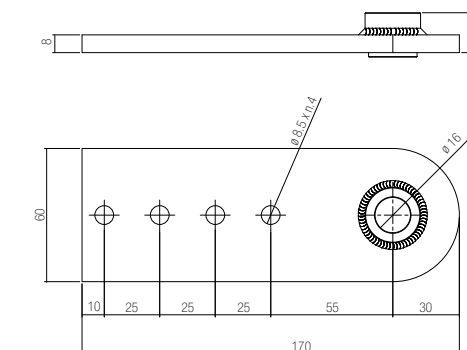
CODE	ARTICLE	PACKAGE	WEIGHT
GAS003ASN0600	AC 80	1 pcs.	0,90 kg

AC 85

Galvanized adjustable front bracket



DIMENSIONS



CODE	ARTICLE	PACKAGE	WEIGHT
GAS004ASN0600	AC 85	1 pcs.	0,90 kg



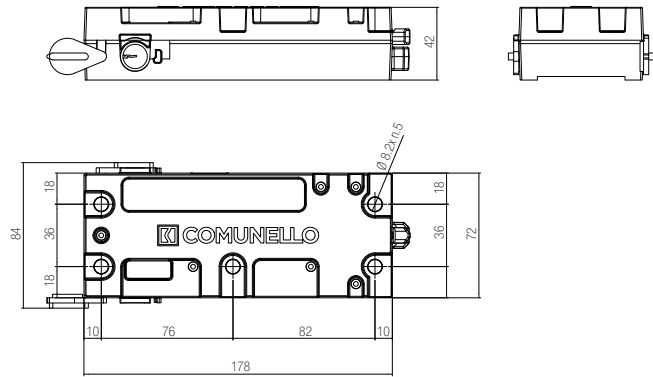
AC 150

Unlocking system with key



CODE	ARTICLE	PACKAGE	WEIGHT
GEE001SBN0G00	AC 150	1 pcs.	0,55 kg

DIMENSIONS



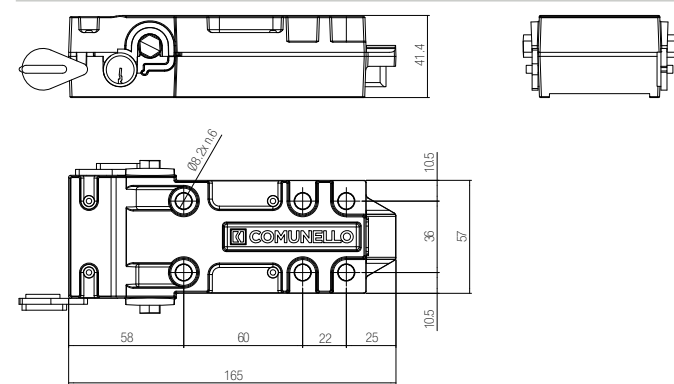
AC 160

Unlocking system with key and leverage



CODE	ARTICLE	PACKAGE	WEIGHT
GEE002SBN0G00	AC 160	1 pcs.	0,65 kg

DIMENSIONS



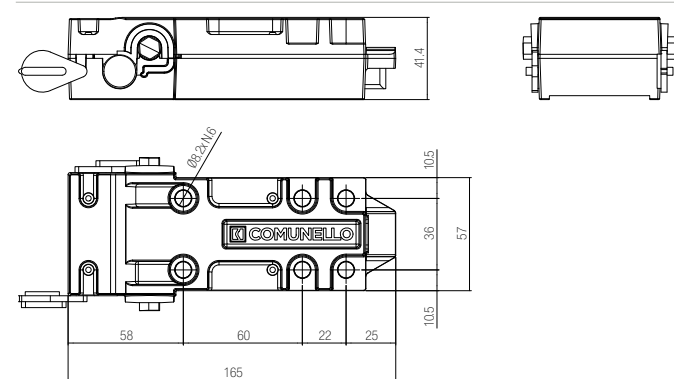
AC 170

Unlocking system with leverage



CODE	ARTICLE	PACKAGE	WEIGHT
GEE003SBN0G00	AC 170	1 pcs.	0,90 kg

DIMENSIONS



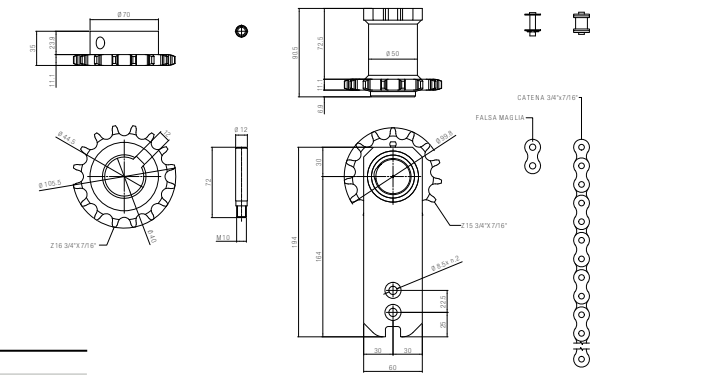
AC 180 - AC 185

360° opening set



CODE	ARTICLE	PACKAGE	WEIGHT
GEE360ASN0G00	AC 180	1 pcs.	3,80 kg
GEE360ASN0G01 (for motors post 2017)	AC 185	1 pcs.	3,80 kg

DIMENSIONS

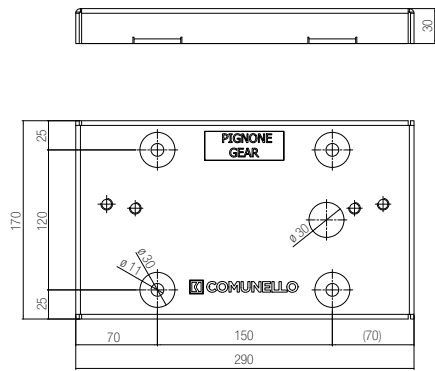


AC 220

Support



DIMENSIONS



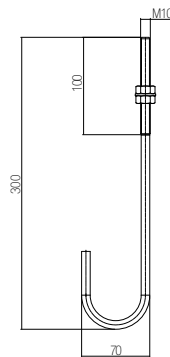
CODE	ARTICLE	PACKAGE	WEIGHT
GFT001AANOG00	AC 220	1 pcs.	1,80 kg

AC 230

Foundation kit



DIMENSIONS



included with actuator

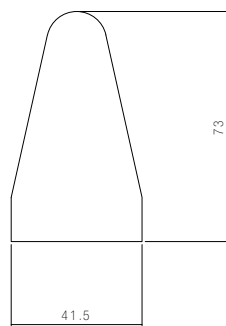
CODE	ARTICLE	PACKAGE	WEIGHT
GROD2M1ONOG00	AC 230	1 pcs.	0,45 kg

269

Pressure sensitive safety trim



DIMENSIONS



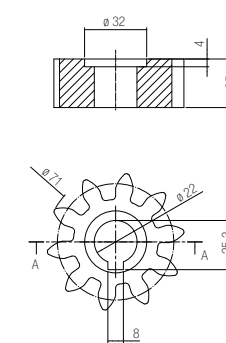
CODE	ARTICLE	PACKAGE	WEIGHT
10200101	269 L=1000	1 pcs.	1,70 kg
10200103	269 L=1500	1 pcs.	2,10 kg
10200105	269 L=2000	1 pcs.	2,60 kg
10200107	269 L=2500	1 pcs.	3,20 kg

AC 210

Module 6 sprocket



DIMENSIONS



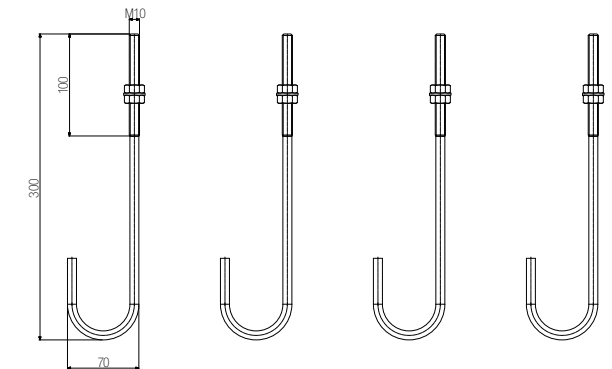
CODE	ARTICLE	PACKAGE	WEIGHT
GFT001CRNOG00	AC 210	1 pcs.	0,40 kg

AC 250

Kit 4 anchor bolts M10



DIMENSIONS



CODE	ARTICLE	PACKAGE	WEIGHT
GROD4M1ONOG00	AC 250	1 pcs.	0,98 kg



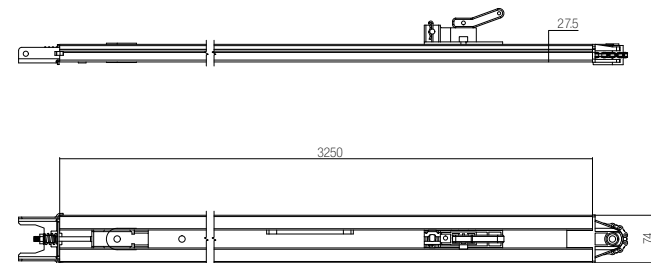


AC 400

3,25 m one-piece chain



DIMENSIONS



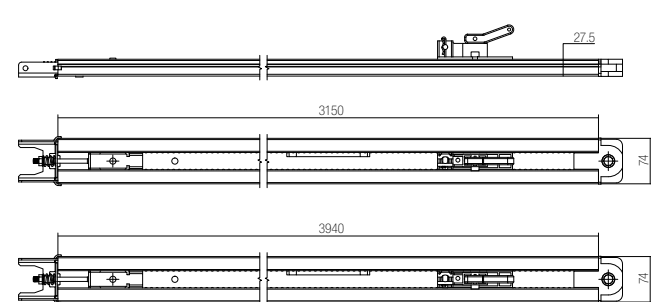
CODE	ARTICLE	PACKAGE	WEIGHT
GRT3250GDOG00	AC 400	1 pcs.	8,20 kg

AC 410 / AC 420 / AC 430

3,25 m split or one-piece belt guide



DIMENSIONS



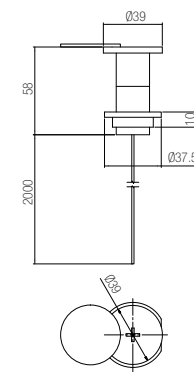
CODE	ARTICLE	PACKAGE	WEIGHT
GRT3250GBOG00	AC 410 - 2 x 1,65 m	1 pcs.	8,60 kg
GRT3250GDOG00	AC 420 - 1 x 3,25 m	1 pcs.	7,40 kg
GRT400GBOG00	AC 430 - 2 x 2,00 m	1 pcs.	9,60 kg

AC 440

Cable release for traction slide



DIMENSIONS



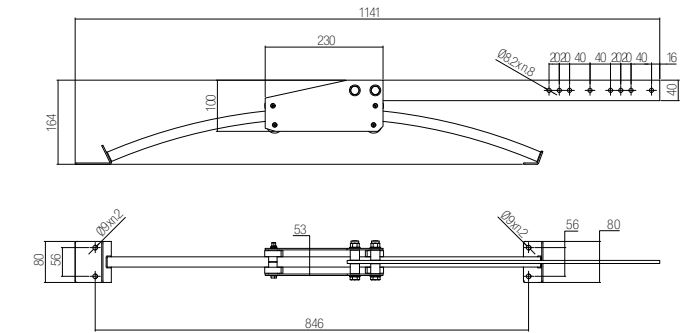
CODE	ARTICLE	PACKAGE	WEIGHT
GRTCORDONOG00	AC 440	1 pcs.	0,40 kg

AC 450

Galvanised swing arm



DIMENSIONS



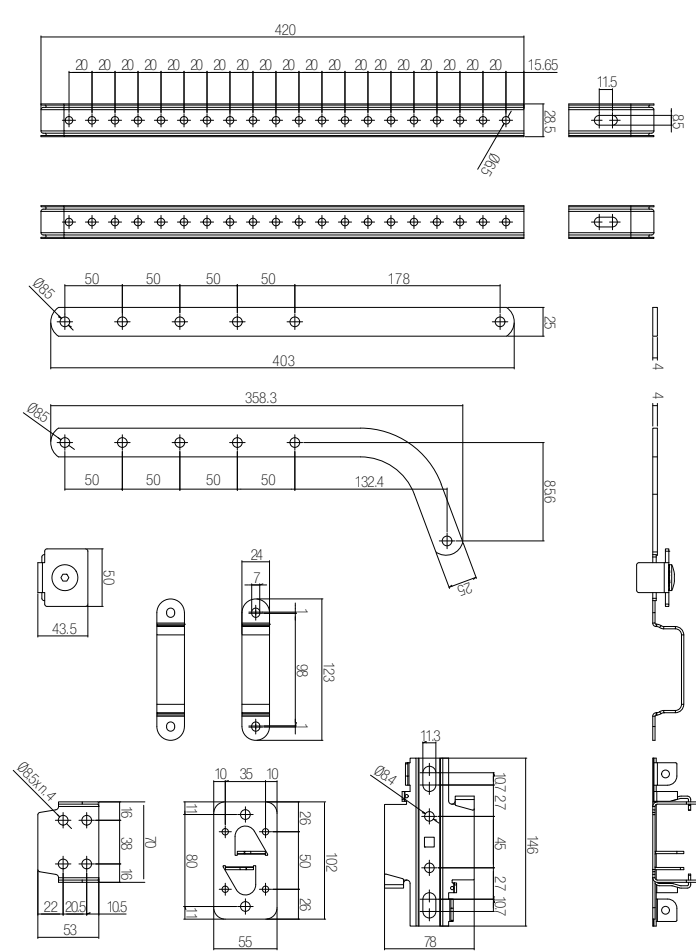
CODE	ARTICLE	PACKAGE	WEIGHT
GRT001ASNOG00	AC 450	1 pcs.	3,70 kg

AC 470

Support bracket kit



DIMENSIONS



CODE	ARTICLE	PACKAGE	WEIGHT
GRT001AANOG00	AC 470	1 pcs.	0,30 kg

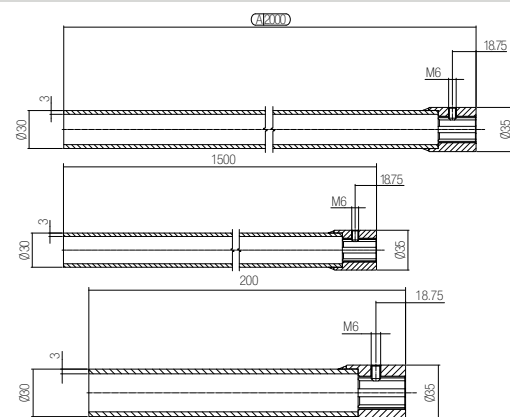


AC 360 / AC 370 / AC 375

Galvanised L2000 / L1500 / L200 return arms



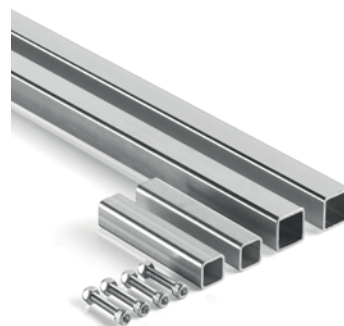
DIMENSIONS



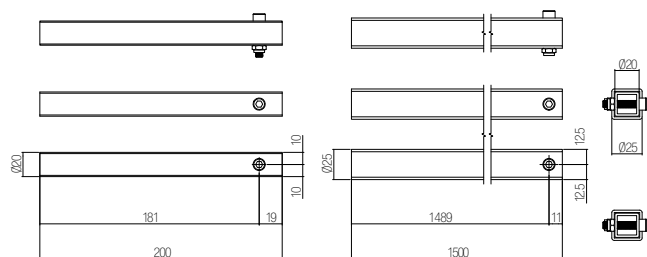
CODE	ARTICLE	PACKAGE	WEIGHT
GST001AANOG00	AC 360	1 pcs.	6,20 kg
GST002AANOG00	AC 370	1 pcs.	0,97 kg
GST003AANOG00	AC 375	1 pcs.	8 kg

AC 361 / AC 371 / AC 376

Square arms



DIMENSIONS



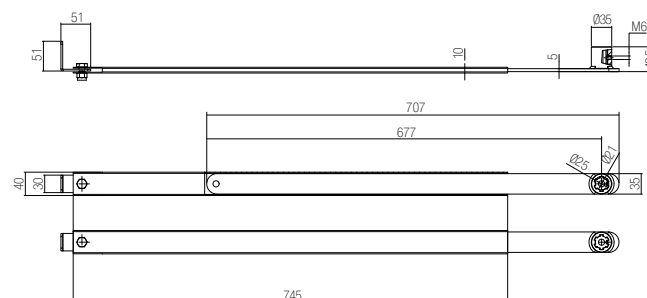
CODE	ARTICLE	PACKAGE	WEIGHT
GST001AQNOG00	AC 361	1 pcs.	6,20 kg
GST002AQNOG00	AC 371	1 pcs.	0,97 kg
GST003AQNOG00	AC 376	1 pcs.	6,20 kg

AC 310

Galvanised straight telescopic arms with ribbed bushings



DIMENSIONS



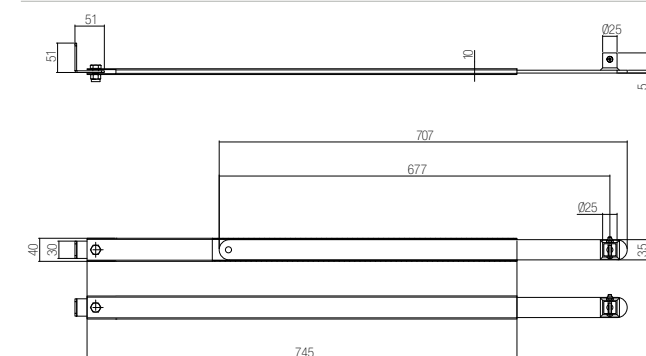
CODE	ARTICLE	PACKAGE	WEIGHT
GST001ASNOG00	AC 310	1 pcs.	4,10 kg

AC 311

Bracci dritti zincati con boccola scanalata



DIMENSIONS



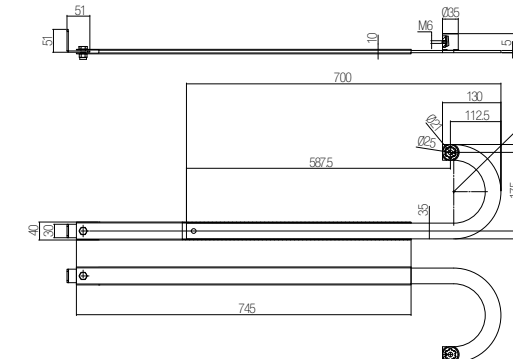
CODE	ARTICLE	PACKAGE	WEIGHT
GST001SQNOG00	AC 311	1 pcs.	4,10 kg

AC 320

Galvanised curved arms with ribbed bushings



DIMENSIONS



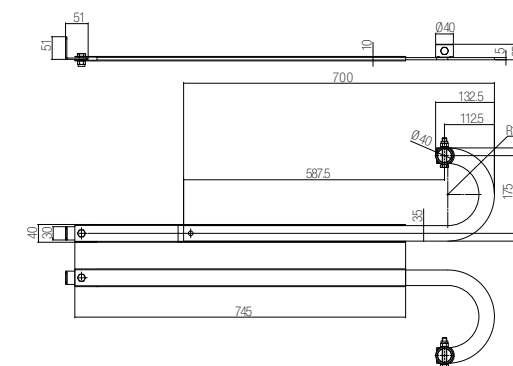
CODE	ARTICLE	PACKAGE	WEIGHT
GST002ASNOG00	AC 320	1 pcs.	4,60 kg

AC 340

Galvanised curved arms with round bushings



DIMENSIONS



CODE	ARTICLE	PACKAGE	WEIGHT
GST004ASNOG00	AC 340	1 pcs.	4,60 kg

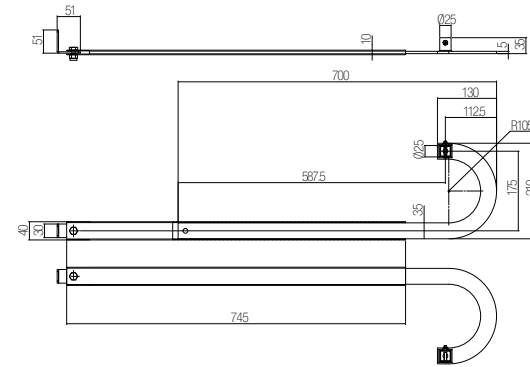


AC 321

Galvanised curved arms with ribbed bushings



DIMENSIONS



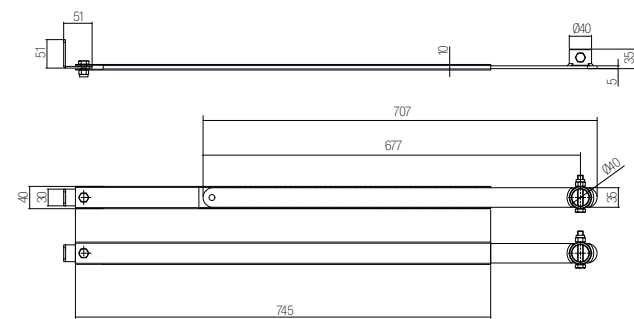
CODE	ARTICLE	PACKAGE	WEIGHT
GST002SQNOG00	AC 321	1 pcs.	4,60 kg

AC 330

Galvanised straight telescopic arms with round bushings



DIMENSIONS



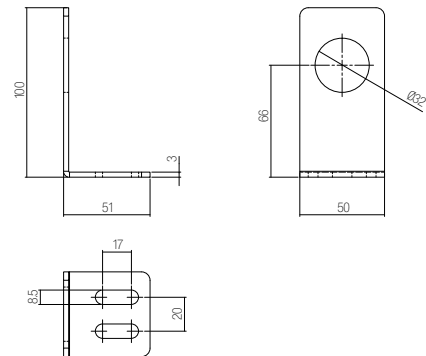
CODE	ARTICLE	PACKAGE	WEIGHT
GST003ASNOG00	AC 330	1 pcs.	4,10 kg

AC 350

Galvanised return arm support bracket



DIMENSIONS



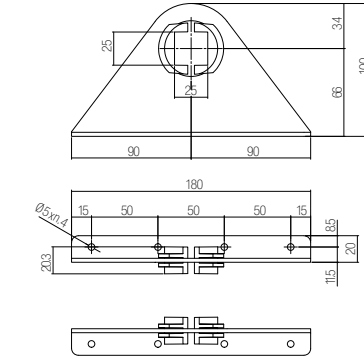
CODE	ARTICLE	PACKAGE	WEIGHT
GST005ASNOG00	AC 350	1 pcs.	0,30 kg

AC 351

Galvanised square arm support bracket



DIMENSIONS



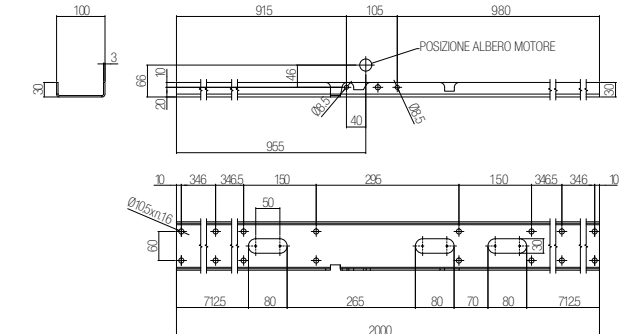
CODE	ARTICLE	PACKAGE	WEIGHT
GST005SQNOG00	AC 351	1 pcs.	0,30 kg

AC 300 / AC 305 / AC 307

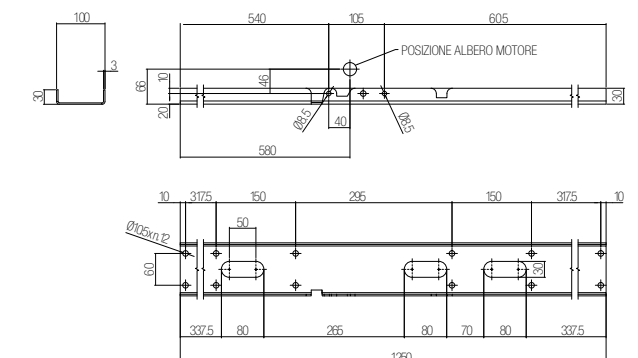
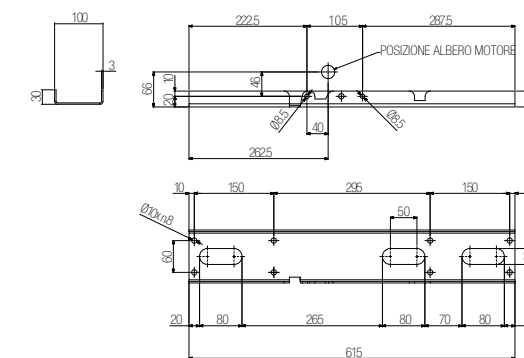
Galvanised support bracket 2000 mm



DIMENSIONS



CODE	ARTICLE	PACKAGE	WEIGHT
GST006ASNOG00	AC 300 - 615 mm	1 pcs.	2 kg
GST007ASNOG00	AC 305 - 1250 mm	1 pcs.	4,1 kg
GST008ASNOG00	AC 307 - 2000 mm	1 pcs.	6,5 kg



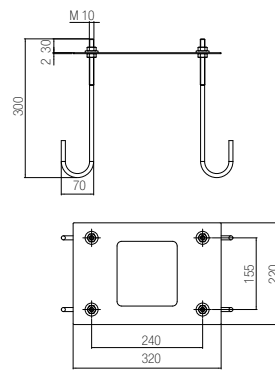
AC 500

Foundation kit



BORDER 400 SERIE
LIMIT 500 SERIE

DIMENSIONS



CODE	ARTICLE	PACKAGE	WEIGHT
GLTANCHOR000	AC 500	1 pcs.	1,80 kg

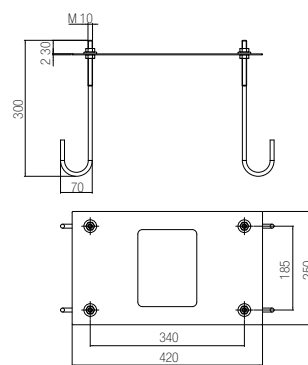
AC 510

Foundation kit



BORDER 600 SERIE
LIMIT 600 SERIE
LIMIT 800 SERIE

DIMENSIONS



CODE	ARTICLE	PACKAGE	WEIGHT
GLTANCHOR000	AC 510	1 pcs.	2,20 kg

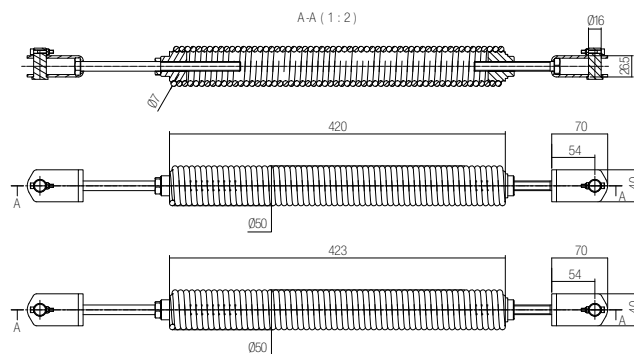
AC 530

Spring for light bar - 3000



BORDER 400 SERIE
BORDER 600 SERIE
LIMIT 500 SERIE
LIMIT 600 SERIE
LIMIT 800 SERIE

DIMENSIONS



CODE	ARTICLE	PACKAGE	WEIGHT
GLTSPRING000	AC 530 - light	1 pcs.	3,50 kg

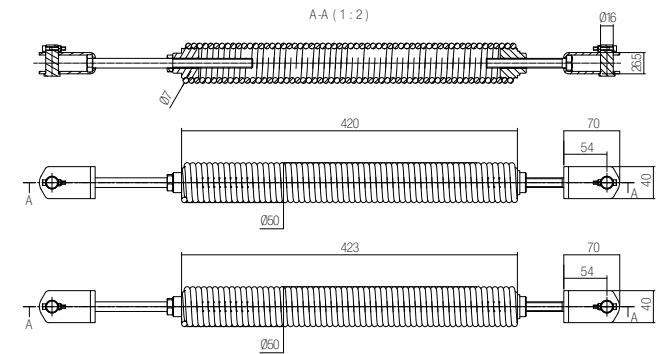
AC 540

Spring for light bar - 6000



LIMIT 500 SERIE
LIMIT 600 SERIE

DIMENSIONS



CODE	ARTICLE	PACKAGE	WEIGHT
GLTSPRING000	AC 540 - medium	1 pcs.	3,80 kg

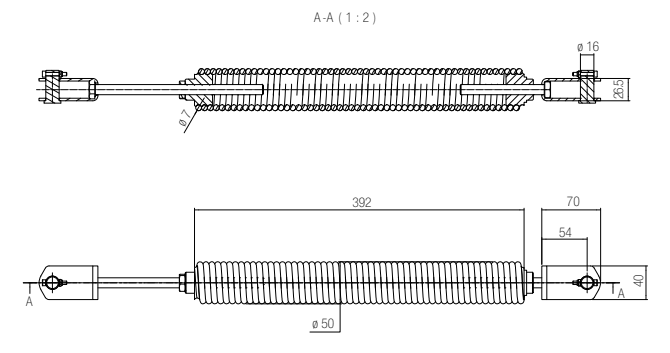
AC 545

Spring for light bar - 6000



BORDER 400 SERIE
BORDER 500 SERIE

DIMENSIONS



CODE	ARTICLE	PACKAGE	WEIGHT
GBRSPRING000	AC 545 - medium	1 pcs.	3,80 kg

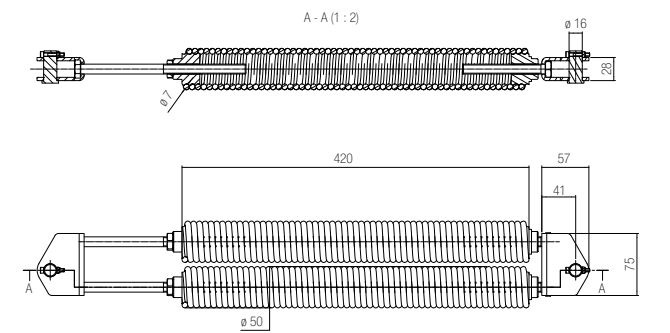
AC 550

Spring for light bar - 8000



LIMIT 500 SERIE
LIMIT 600 SERIE
LIMIT 800 SERIE

DIMENSIONS



CODE	ARTICLE	PACKAGE	WEIGHT
GLTSPRING000	AC 550 - heavy	1 pcs.	7,10 kg

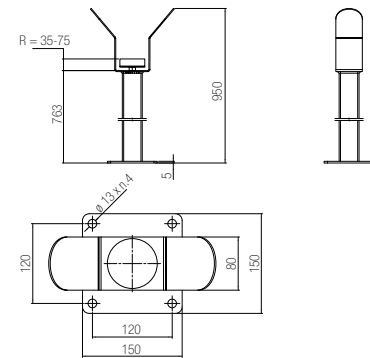
AC 560

Arm nesting post



BORDER 400 SERIE
BORDER 600 SERIE
LIMIT 500 SERIE
LIMIT 600 SERIE
LIMIT 700 SERIE
LIMIT 800 SERIE

DIMENSIONS



CODE	ARTICLE	PACKAGE	WEIGHT
GLTFIX0000A00	AC 560	1 pcs.	4,60 kg

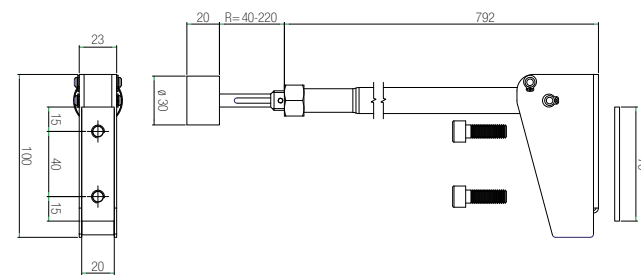
AC 570

Swing down support for bar



BORDER 400 SERIE
BORDER 600 SERIE
LIMIT 500 SERIE
LIMIT 600 SERIE
LIMIT 700 SERIE
LIMIT 800 SERIE

DIMENSIONS



CODE	ARTICLE	PACKAGE	WEIGHT
GLTSUPPORTG00	AC 570	1 pcs.	1 kg

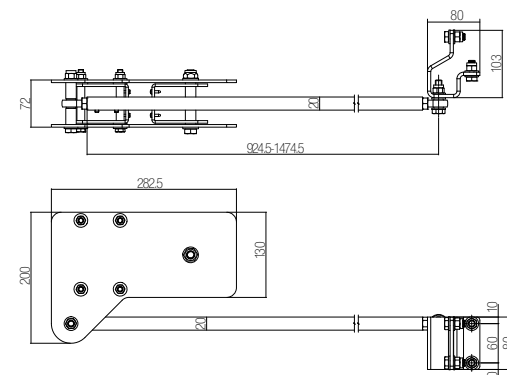
AC 580

90° jointed rod



BORDER 500 SERIE
BORDER 600 SERIE
LIMIT 500 SERIE
LIMIT 600 SERIE

DIMENSIONS



CODE	ARTICLE	PACKAGE	WEIGHT
GLIANG9000G00	AC 580	1 pcs.	6,70 kg

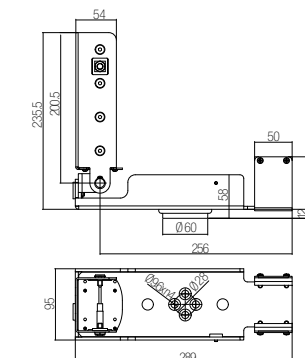
AC 620

clip-out bar connector



BORDER 400 SERIE

DIMENSIONS



CODE	ARTICLE	PACKAGE	WEIGHT
GBRSTRSRV0G00	AC 620	1 pcs.	2,70 kg

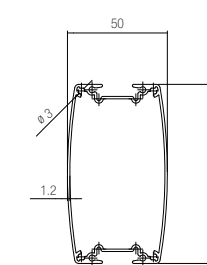
AC 630 / AC 640 / AC 650

Aluminium rectangular bar, RAL 9010



LIMIT 500 SERIE

DIMENSIONS



CODE	ARTICLE	PACKAGE	WEIGHT
GLTBAR3000W00	AC 630 - 3 m	1 pcs.	3,50 kg
GLTBAR4000W00	AC 640 - 4 m	1 pcs.	4,70 kg
GLTBAR5000W00	AC 650 - 5 m	1 pcs.	5,90 kg

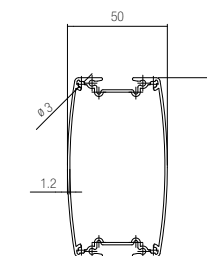
AC 655

Aluminium rectangular bar, RAL 9010



BORDER 600 SERIE
LIMIT 600 SERIE

DIMENSIONS



CODE	ARTICLE	PACKAGE	WEIGHT
GLTBAR6000W00	AC 655 - 6 m	1 pcs.	7 kg

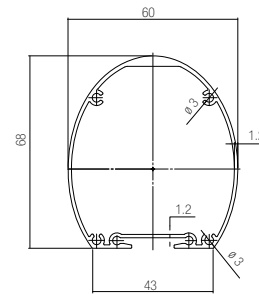
AC 631 / AC 641

Aluminium oval bar, RAL 9010



BORDER 400 SERIE

DIMENSIONS



CODE	ARTICLE	PACKAGE	WEIGHT
GBRBAR3000W00	AC 631 - 3 m	1 pcs.	2,90 kg
GBRBAR4000W00	AC 641 - 4 m	1 pcs.	3,90 kg

AC 670 / AC 680 / AC 690 / AC 695

Red barrier bar cover



BORDER 600 SERIE
LIMIT 500 SERIE
LIMIT 600 SERIE

CODE	ARTICLE	PACKAGE	WEIGHT
GLTTOPP300R00	AC 670 - 3 m	1 pcs.	0,85 kg
GLTTOPP400R00	AC 680 - 4 m	1 pcs.	1,20 kg
GLTTOPP500R00	AC 690 - 5 m	1 pcs.	1,50 kg
GLTTOPP600R00	AC 695 - 6 m	1 pcs.	1,70 kg

AC 671 / AC 681 / AC 691 / AC 696

Red barrier oval bar cover



BORDER 400 SERIE
LIMIT 800 SERIE

CODE	ARTICLE	PACKAGE	WEIGHT
GBRTOPP300R00	AC 671 - 3 m	1 pcs.	0,43 kg
GBRTOPP400R00	AC 681 - 4 m	1 pcs.	0,57 kg
GBRTOPP500R00	AC 691 - 5 m	1 pcs.	0,71 kg
GBRTOPP600R00	AC 696 - 6 m	1 pcs.	0,85 kg

AC 700

Bar end plug

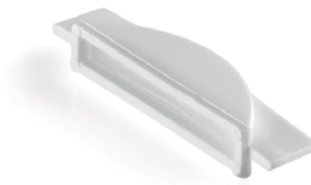


BORDER 600 SERIE
LIMIT 500 SERIE
LIMIT 600 SERIE
LIMIT 800 SERIE

CODE	ARTICLE	PACKAGE	WEIGHT
GLTSTOPPERW00	AC 700	1 pcs.	0,01 kg

AC 705

Tablet plug



BORDER 400 SERIE

CODE	ARTICLE	PACKAGE	WEIGHT
GBRPLUG030W00	AC 705	1 pcs.	0,03 kg

AC 710

Bar end plug



BORDER 600 SERIE
LIMIT 500 SERIE
LIMIT 600 SERIE

CODE	ARTICLE	PACKAGE	WEIGHT
GLTPLUG010W00	AC 710	1 pcs.	0,05 kg



AC 715

Bar end plug

BORDER 600 SERIE
LIMIT 500 SERIE
LIMIT 600 SERIE



CODE	ARTICLE	PACKAGE	WEIGHT
GLTPLUG020W00	AC 715	1 pcs.	0,04 kg

AC 717

Oval bar end plug

BORDER 400 SERIE



CODE	ARTICLE	PACKAGE	WEIGHT
GBRPLUG010W00	AC 717	1 pcs.	0,03 kg

AC 718

Oval bar end plug

BORDER 400 SERIE



CODE	ARTICLE	PACKAGE	WEIGHT
GBRPLUG020W00	AC 718	1 pcs.	0,03 kg

AC 719

Round bar end plug

LIMIT 800 SERIE



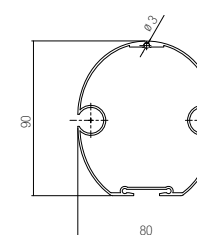
CODE	ARTICLE	PACKAGE	WEIGHT
GLTPLUG040W00	AC 719	1 pcs.	0,20 kg

AC 731 / AC 741 / AC 751

Round bar white RAL 9010

LIMIT 800 SERIE

DIMENSIONS



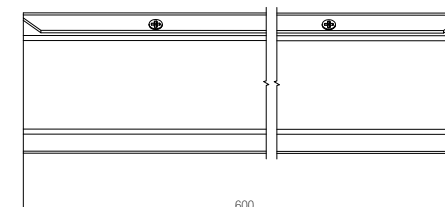
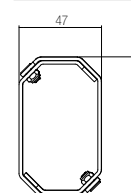
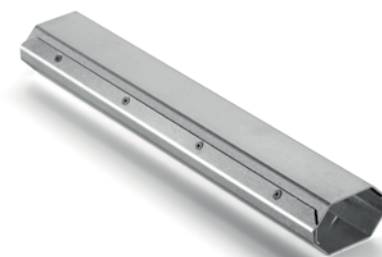
CODE	ARTICLE	PACKAGE	WEIGHT
GLTBAR30T0W00	AC 731 - 3 m	1 pcs.	3,70 kg
GLTBAR40T0W00	AC 741 - 4 m	1 pcs.	5,20 kg
GLTBAR50T0W00	AC 751 - 5 m	1 pcs.	6,50 kg

AC 765

Round bar joint

LIMIT 800 SERIE

DIMENSIONS



CODE	ARTICLE	PACKAGE	WEIGHT
GLTJOINT0G00	AC 765	1 pcs.	1,10 kg



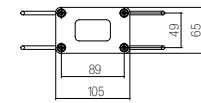
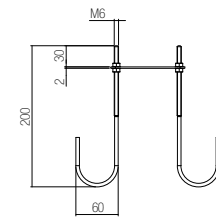
AC 850

Foundation kit for columns



MAST 50
MAST 100
MAST TWIN 100

DIMENSIONS



CODE	ARTICLE	PACKAGE	WEIGHT
GR0D4M08N0G00	AC 850	1 pcs.	0,90 kg

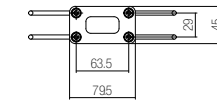
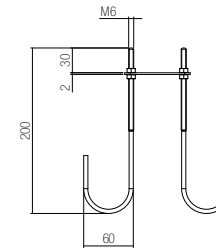
AC 860

Foundation kit for columns



MAST 50 SLIM

DIMENSIONS



CODE	ARTICLE	PACKAGE	WEIGHT
GR0D4S08N0G00	AC 860	1 pcs.	0,90 kg

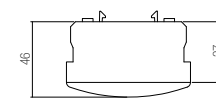
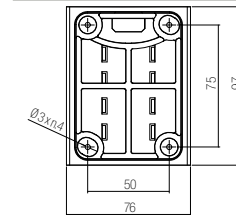
AC 870

Recessed mounting base for photocell DART



MAST 50
MAST 50 SLIM
MAST 100
MAST TWIN 100

DIMENSIONS



CODE	ARTICLE	PACKAGE	WEIGHT
GMAS0BSN0B00	AC 870	1 pcs.	0,17 kg

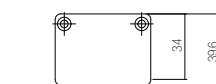
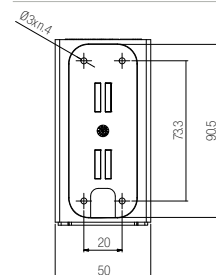
AC 875

Recessed mounting base for photocell DART SLIM



MAST 50 SLIM

DIMENSIONS



CODE	ARTICLE	PACKAGE	WEIGHT
GMAS0BSN0B00	AC 870	1 pcs.	0,075 kg



Accessories

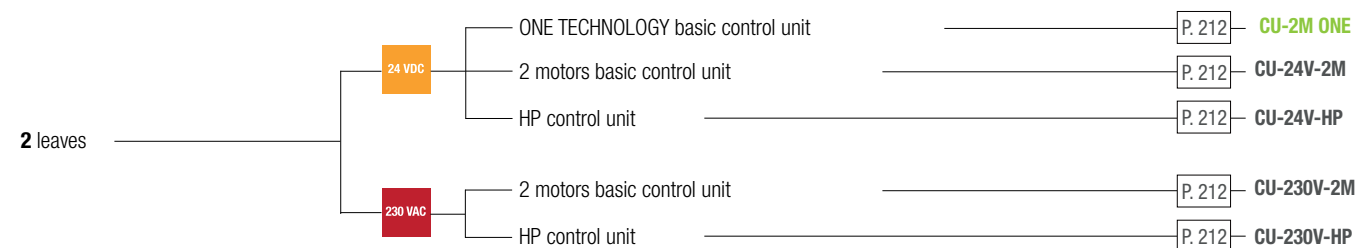
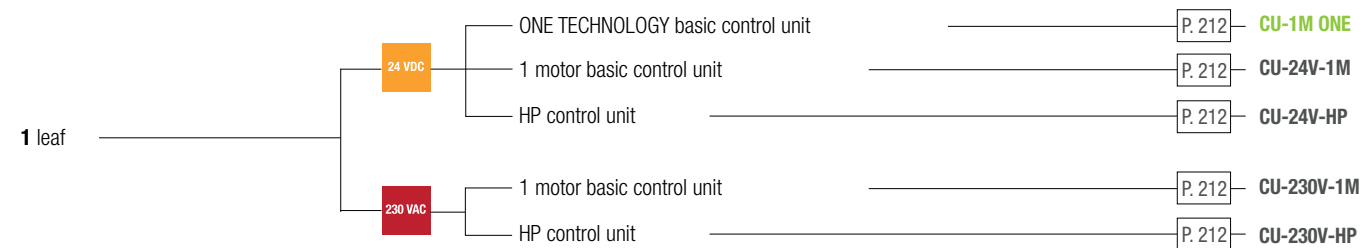
Selection guide



Accessories

5.2 Control units

QUAD



Control units

QUAD ONE

Control unit 1 or 2 motors

24 VDC



QUAD ONE

- 24 V version
- Microprocessor-based functions and encoder input. Combined LED, trimmer and dip switch programming, simple and easy to programme
- Control panel with 1 or 2 motors
- Obstacle detection feature. Power adjustment, slowing system, a wide range of features, simplified wiring and Bus connection for Accessories
- Equipped with built-in Radio receiver and removable code/settings memory card
- Manual or digital setup with wi-fi key K-ONE and tablet or smartphone (not included)

COMPATIBLE WITH



K-ONE

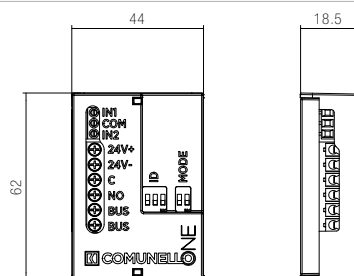
INTERFACE I/O ONE

Input/Output control board

	INTERFACE I/O ONE
Power supply	Powered by BUS
Output relay (dry contact)	24V 1A max (N.O.)
Output indicator	24VDC 20mA max
Input open-close	Dry contact

CODE	ARTICLE	PACKAGE	WEIGHT
G1INTERFL0B00	INTERFACCIA I/O ONE	1 pcs.	1 kg

DIMENSIONS



QUAD

Control unit 1 or 2 motors

24 VDC

230 VAC



QUAD 1 / QUAD 2

- 230 VAC & 24 VDC versions
- Microprocessor functioning logic. Simple and intuitive programming with LED, trimmer and dip switch
- Control panel with 1 or 2 motors
- Obstacle detection feature (24 VDC version). Power adjustment, slowing system, a wide range of features, inputs and outputs
- Equipped with built-in Radio receiver and removable code/settings memory card
- Limit switch output (1 motor version)
- Limit switch output (2 motors version)

QUAD HP

- Microprocessor-based functions, double encoder input and end stop for two motor outputs. Combined LED, trimmer and dip switch programming, simple and easy to programme
- Obstacle detection feature also for 230V motor with encoder. Power adjustment, slowing system, a wide range of features, inputs and outputs
- Equipped with built-in Radio receiver and removable code/settings memory card
- Automatic programming. Photo test. Wide range of features available
- Auxiliary radio channel
- Programmable 8K2 input

QUAD

Control unit

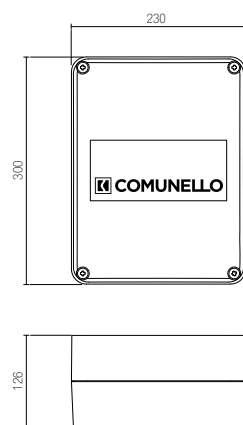


ONE TECHNOLOGY

ARTICLE	CODE	DESCRIPTION	PACKAGE	WEIGHT	PALLET
■ QUAD CU 1M ONE	G1QUAD1MLOG00	Control unit per 1 motore 24V ONE	1 pcs.	3,5 kg	66
■ QUAD CU 2M ONE	G1QUAD2MLOG00	Control unit per 2 motori 24V ONE	1 pcs.	3,5 kg	66

ARTICLE	CODE	DESCRIPTION	PACKAGE	WEIGHT	PALLET
■ QUAD 1M 24V	GQUADST1HOG00	Control unit per 1 motore 24V Basic	1 pcs.	3,5 kg	66
■ QUAD 1M 230V	GQUADST1HOG00	Control unit per 1 motore 230V Basic	1 pcs.	2,1 kg	66
■ QUAD 2M 24V	GQUADST2LOG00	Control unit per 2 motori 24V Basic	1 pcs.	3,6 kg	66
■ QUAD 2M 230V	GQUADST25OG00	Control unit per 2 motori 230V Basic	1 pcs.	2,2 kg	66
■ QUAD 24V HP	GQUADHP2LOG00	Control unit per 1/2 motori 24V HP	1 pcs.	3,7 kg	66
■ QUAD 230V HP	GQUADHP2HOG00	Control unit per 1/2 motori 230V HP	1 pcs.	3,1 kg	66

DIMENSIONS



TECHNICAL CHARACTERISTICS

Electrical information	QUAD CU 1M ONE	QUAD CU 2M ONE
Power supply	230 VAC 50-60Hz	230 VAC 50-60Hz
Operator outputs	24 VDC 50 W max	24 VDC 2x50 W max
Flashing light output	24 VAC 4W max	24 VAC 4W max
Electric lock output	1A max	1A max
Photocells power supply	4 VDC 5 W max	4 VDC 5 W max
Back-up battery input	24 VDC 7/Ah max	24 VDC 7/Ah max
Transmitter op.	18 bit or Rolling Code	18 bit or Rolling Code
Max TX codes stored in memory	400 (CODE PP / CODE PED/2°CH)	400 (CODE PP / CODE PED/2°CH)
Working temperature	-20°C / +50°C	-20°C / +50°C
Dimensions	100x105	100x105

TECHNICAL CHARACTERISTICS

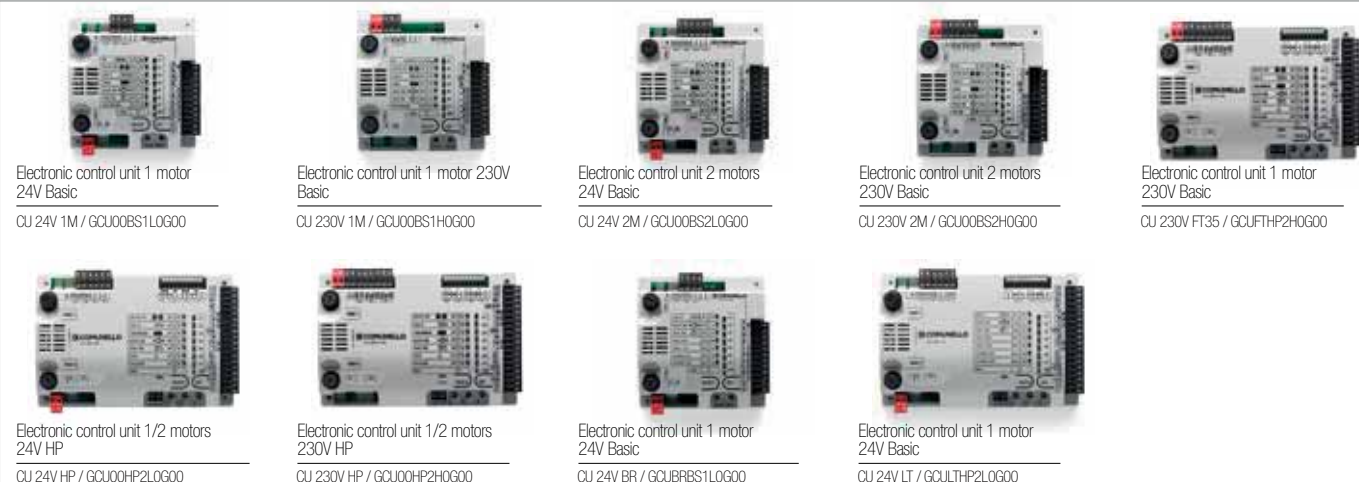
Electrical information	QUAD 24V 1M	QUAD 230V 1M	QUAD 24V 2M	QUAD 230V 2M	QUAD 24V HP	QUAD 230V HP
Power supply	230 VAC 50-60Hz	230 VAC 50-60Hz	230 VAC 50-60Hz	230 VAC 50Hz 1600W max	230 VAC 50-60Hz	230VAC 50Hz 1600W max
Operator outputs	24 VDC 50 W max	230 VAC 500 W max	24 VDC 2x50 W max	24 VAC 2x500 W max	24VDC 2x50 W max	230VAC 2x500 W max
Flashing light output	24 VAC 4W max	24 VAC 4W max	24 VAC 4W max	24 VAC 4W max	24 VDC 25 W max	24 VAC 4W max
Electric lock output	-	-	Dry contact 1A max	Dry contact 1A max	12 VDC 15 W max	12 VDC 15 W max
Warning lamp output	-	-	-	-	24 VDC 4 W max	24 VDC 4 W max
Photocells power supply	4 VDC 5 W max	4 VDC 5 W max	4 VDC 5 W max	4 VDC 5 W max	4 VDC 5 W max	4 VDC 5 W max
Back-up battery input	24 VDC 7/Ah max	-	24 VDC 7/Ah max	-	24 VDC 7A/h max	-
Transmitter op.	18 bit or Rolling Code	18 bit or Rolling Code	18 bit or Rolling Code	18 bit or Rolling Code	18 bit or Rolling Code	18 bit or Rolling Code
Max TX codes stored in memory	120 (Code o Code PED/2°CH)	120 (Code o Code PED/2°CH)	120 (Code o Code PED/2°CH)	120 (Code o Code PED/2°CH)	120 (Code o Code PED/2°CH)	120 (Code o Code PED/2°CH)
Working temperature	-20°C / +50°C	-20°C / +50°C	-20°C / +50°C	-20°C / +50°C	-20°C / +50°C	-20°C / +50°C
Dimensions	100x105	100x105	100x105	100x105	160x105	160x10

CU ONE



Electronic control unit 1 motor 24V ONE / CU 24V 1M ONE / G1U00HP1L0G00
 Electronic control unit 2 motors 24V ONE / CU 24V 2M ONE / G1U00HP2L0G00
 Electronic control unit 2 motors 24V ONE / CU 24V LT ONE / G1ULTHP2L0G00

CU



Electronic control unit 1 motor 24V Basic / CU 24V 1M / GQU00BS1L0G00
 Electronic control unit 1 motor 230V Basic / CU 230V 1M / GQU00BS1H0G00
 Electronic control unit 2 motors 24V Basic / CU 24V 2M / GQU00BS2L0G00
 Electronic control unit 2 motors 230V Basic / CU 230V 2M / GQU00BS2H0G00
 Electronic control unit 1 motor 230V Basic / CU 230V FT35 / GCUFTHP2H0G00
 Electronic control unit 1/2 motors 24V HP / CU 24V HP / GCU00HP2L0G00
 Electronic control unit 1/2 motors 230V HP / CU 230V HP / GCU00HP2H0G00
 Electronic control unit 1 motor 24V Basic / CU 24V BR / GCUBRBS1L0G00
 Electronic control unit 1 motor 24V Basic / CU 24V LT / GCUULTHP2L0G00

Control units comparison



Electrical info	FUNZIONI	CU 24V 1M	CU 24V 2M	CU 230V 1M	CU 230V 2M	CU 24V HP	CU 230V HP
Motors number		1	2	1	2	2	2
Motors output		24VDC 50W	24VDC 2x50W	230VAC 500W	230VAC 2x500W	24VDC 2x50W	230VAC 2x500W
Flashing/courtesy light output (24Vdc 4W)		•	•			• (25W)	• (indicator light)
Flashing/courtesy light output (24Vac 4W)				•	•		•
2nd flashing light output						• (indicator light)	• (230VAC)
Indicator light output (24Vdc 4W) Proportional Flash						•	•
User output (24Vdc 5W)						5W max	5W max
Photocells power supply (4Vdc 5W)		•	•	•	•	•	•
External Antenna		•	•	•	•	•	•
Electric Lock Output 12Vdc 15 W			• Voltage free contact		• Voltage free contact	•	•
Contact Output for 2nd RADIO CH (mono/bi-stable)						•	•
Emergency Battery connection		•	•			•	
Photocell 1 (DS1)		•	•	•	•	•	•
Photocell 2 (DS2)			•		•	•	•
Photocell 3 (DS3)						• Programmable	• Programmable
Emergency Stop Input (8k2/NC)		• (Only NC)		• (Only NC)		•	•
Pushbutton input		•	•	•	•	•	•
Pedestrian Pushbutton Input			•		•	•	•
Encoder						•	•
Opening/Closing Limit Switch Input (NC)		•		•		•	•
Battery 24V		•	•			•	
Menu							
Speed/Force Adjustment by trimmer	SPEED / FORCE	•	•	•	•	•	•
Sense Adjustment by trimmer	SENSE	•	•			•	•
Slowing Adjustment by trimmer	SLOWING	Menu 3	Menu 3	•	•	•	•
Opening direction		•		•		•	•
Motor delay order (2M)			Main menu		Main menu	By dip-switch	By dip-switch
Delay Time Adjustment (Delayed Opening/Closing)	DELAY		•		•		•
Quick inversion mode (Open-Close-Open)	AUTOMATIC	•	•	•	•	•	•
Step by step mode (Open-Stop-Close-Stop)	STEP BY STEP	•	•	•	•	•	•
Pause Time Adjustment (Automatic Closing)	PAUSE TIME	•	•	•	•	•	•
Open Only and Close Only buttons	PPED=APRI P/P=CHIUDI					•	•
Condominium Mode	CONDO	•	•	•	•	•	•
Running Time Adjustment (MOTOR TIME)	MOTOR TIME	•	•	•	•	•	•
Auto Programming (Running&Slowing time)	PRG AUTOM	•	•	•		•	•
Remote programming (self learning Radio code)	CODE TX	•	•	•	•	•	•
Hold-to-run (Maintained Action)	HOLD TO RUN	•	•	•	•	•	•
Partial Opening (Pedestrian) Adjustment	PEDESTRIAN TIME	•	•	•	•	•	•
Single Leaf Opening	SINGLE LEAF PUSHBUTTON					•	•
Fototest (Self diagnosis of safety devices)	FOTOTEST	•	•	•	•	•	•
DS1 (reversal of direction during closing)	PHOTOCELL DS1	•	•	•	•	•	•
DS1 (configuration with temporary stop in opening)	DS1 PARTIAL REVERSAL	•	•	•	•	•	•
DS2 (momentary stopping during opening - reversal of direction during closing)	PHOTOCELL DS2		•		•	•	•
DS2 (configuration with momentary stop in closing)	DS2 STP IN CLOSING					•	•
DS3 on PushButton	PEDESTRIAN PUSHBUTTON / DS3					•	•
Follow Me (close 5s after Photo)	FOLLOW ME	•	•	•	•	•	•
Security Closing (After Blackout)	ALWAYS CLOSE	•	•	•	•	•	•
Soft Start	SOFT START	•	•	•	•	•	•
Soft Stop	SOFT CLOSE	•	•	•	•	•	•
Deceleration Enable/Disable	DECELERATION	•	•	•	•	•	•
Electronic Brake	BRAKE	•	•	•	•	•	•
Release Stroke	RELEASE STROKE	•	•	•	•	•	•
Slam Lock	SLAM LOCK	•	•	•	•	•	•
Flashing in pause time	PAUSE FLASHING	•	•	•	•	•	•
Preflashing in opening and closing	PREFLASH	•	•	•	•	•	•

Barrier control units comparison



CARATTERISTICHE MECCANICHE	LIMIT	BORDER
Beam length	5; 6; 8	4; 6
Internal light	•	
Electronic board	24V HP	24V BASIC
Safety when open the front cover (microswitch)	•	
Opening-closing limit switch	Dip-switch on the lever	Dip-switch on the frame
Unlock	Front, key	Side handle
Synchronization of 2 barriers	•	
Led strip	•	
Encoder	•	
MENU		
Remote control programming	•	•
Barrier working time programming	•	•
Automatic closing	•	•
Setting force in opening cycle	•	•
Setting force in closing cycle	•	•
Setting force in opening slowdown cycle	•	•
Setting force in closing slowdown cycle	•	•
Remote radio control programming	•	•
Push button =open-close or push button =only close	•	
Automatic programming	•	•
Fototest	•	•
Emergency stop-8k2	•	
Opening direction	Dip-switch	Programmable
Photocell DS1 operate also during opening cycle	DS2	•
Electric lock	•	
Arm clamp	•	
Flashing light output control	•	•
Always close	•	•
Follow me	•	•
Preflash	•	•
Led output control (leds always working)	•	
Led output control (leds always with fix light)	•	

Control units compatibility



	CU 24V 1M	CU 24V 2M	CU 230V 1M	CU 230V 2M	CU 24V HP	CU 230V HP
--	-----------	-----------	------------	------------	-----------	------------

		CR220 24V FM	•	•			•		
		CR220 24V FE	•					•	
		CR220 24V FE E						•	
		CR220 24V FM SC	•	•				•	
		CR220 230V FM			•	•		•	
		CR220 230V FE			•			•	
		CR220 230V FE E						•	
		CR220 230V FM SC			•	•		•	
		CR350 24V FE E					•		
		CR350 24V FE E SC					•		
		CR500 24V FE					•		
		CR500 230V FE			•			•	
				AS220 24V FE	•				•
				AS220 24V FE E					•
				AS220 230V FM			•	•	
AS220 230V FM E								•	
AS300 24V FM	•			•				•	
AS300 24V FE	•							•	
AS300 230V FM					•	•		•	
AS300 230V FE					•			•	
AS300 230V FM E								•	
AS500 24V FE E							•		
AS500 230V FE			•			•			
AS500 230V FM E						•			
		EE 24V	•	•			•		
		EE24V EC					•		
		EE 230V			•	•		•	
		EE 230V EC						•	
		FT400 24V	•				•		
		FT500 230V			•			•	
		FT600 24V	•					•	
		FT700 230V			•			•	
		FT1000 24V	•					•	
		FT1000 24V MG E					•		
		FT1000 230V B			•			•	
		FT1000 230V MG E						•	
		FT1500 230V MG E						•	
		FT1000 230V MG SC						•	
		FT3500 230V MG						•	
FT3500 380V MG						•			
		ST 24V					•		
		ST24V SC					•		
		ST 230V			•			•	
		ST230V SC			•			•	
		ST SLOW 230V			•			•	
		ST SLOW 230V SC			•			•	



	CU 24V ONE 1M	CU 24V ONE 2M	CU 24V LT	CU 24V BR	CU 24V LT-ONE	CU 24V LT-ONE SLAVE
--	---------------	---------------	-----------	-----------	---------------	---------------------

		CONDOR 220 ONE	•	•				
		CONDOR 220 SLAVE ONE		•				
		CONDOR 350 ONE	•	•				
		CONDOR 350 SLAVE ONE		•				
		CONDOR 500 ONE	•	•				
				ABACUS 220 ONE	•	•		
				ABACUS 300 ONE	•	•		
				ABACUS 500 ONE	•	•		
				EAGLE ONE	•	•		
				FORT 400 ONE	•	•		
FORT 600 ONE	•			•				
FORT 1000 ONE	•			•				
FORT 1000 ONE MAGNETIC LIMIT	•			•				
				BORDER 400				•
		BORDER 600				•		
		LIMIT 500			•			
		LIMIT 600			•			
		LIMIT 800			•			
		LIMIT 500 ONE					•	
		LIMIT 500 SLAVE ONE					•	
		LIMIT 600 ONE					•	
		LIMIT 600 SLAVE ONE					•	
		LIMIT 800 ONE					•	
LIMIT 800 SLAVE ONE					•			

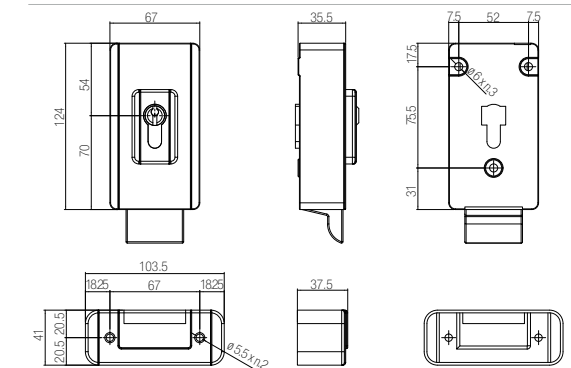
5.3 Control Accessories

AC 10

12V orizontal electric lock



DIMENSIONS



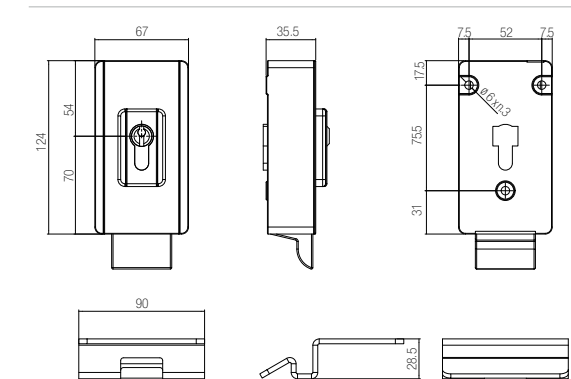
CODE	ARTICLE	PACKAGE	WEIGHT
GINDEXRMOG00	AC 10	1 pcs.	1,70 kg

AC 20

12V vertical electric lock



DIMENSIONS



CODE	ARTICLE	PACKAGE	WEIGHT
GINDEXRMOG00	AC 20	1 pcs.	1,40 kg

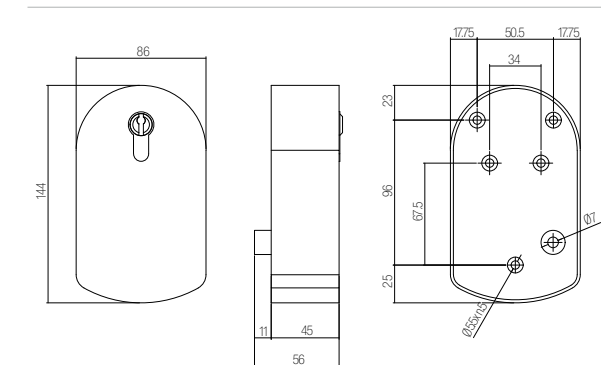
AC 110

Key operated emergency release



CONDOR SERIE

DIMENSIONS



CODE	ARTICLE	PACKAGE	WEIGHT
GCR001SON0G00	AC 110	1 pcs.	1,20 kg





AC 120 / AC 130

Kit Cable release for traction slide

CONDOR SERIE



CODE	ARTICLE	PACKAGE	WEIGHT
GCOR0025NOB00	AC 120 - 2,5 m	1 pcs.	0,20 kg
GCOR0090NOB00	AC 130 - 9 m	1 pcs.	0,70 kg

AC 190

Limit switch set for underground gate

EAGLE SERIE



CODE	ARTICLE	PACKAGE	WEIGHT	
GEE001FINOB00	AC 190	2 pcs.	0,2 kg	7

AC 200

Magnetic stops Kit

FORT SERIE



CODE	ARTICLE	PACKAGE	WEIGHT
GFT001FINOG00	AC 200	1 pcs.	0,80 kg

AC 205

Magnetic stops

FORT SERIE



CODE	ARTICLE	PACKAGE	WEIGHT
GFT002FINOG00	AC 205	1 pcs.	0,12 kg

AC 240

Inductive sensor



CODE	ARTICLE	PACKAGE	WEIGHT	
GINDUCTONOG00	AC 240	1 pcs.	0,28 kg	9

AC 380

Galvanised external release lever

SALIENT SERIE



CODE	ARTICLE	PACKAGE	WEIGHT
GST001SCNOG00	AC 380	1 pcs.	0,17 kg



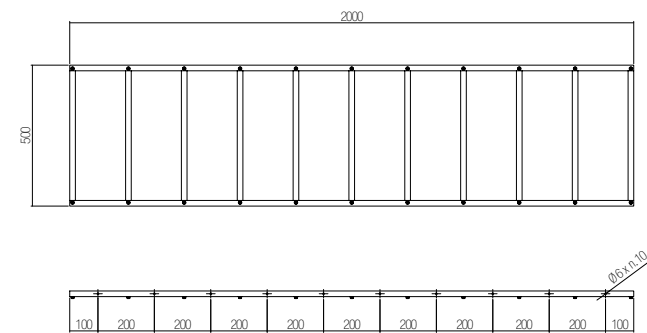
AC 590

2 m curtain



BORDER 600 SERIE
LIMIT 500 SERIE
LIMIT 600 SERIE
LIMIT 800 SERIE

DIMENSIONS



CODE	ARTICLE	PACKAGE	WEIGHT
GLTHEDGE02W00	AC 590	1 pcs.	1,70 kg

AC 660

Reflective stickers



BORDER 400 SERIE
BORDER 600 SERIE
LIMIT 500 SERIE
LIMIT 600 SERIE
LIMIT 800 SERIE

CODE	ARTICLE	PACKAGE	WEIGHT
GLTSTRIP00W00	AC 660	1 pcs.	0,01 kg

AC 770

Internal LED lights



LIMIT 500 SERIE
LIMIT 600 SERIE
LIMIT 800 SERIE

CODE	ARTICLE	PACKAGE	WEIGHT
GLTSWIFTN0G00	AC 770	1 pcs.	0,20 kg

AC 778

LED strip 8 m

LIMIT 800 SERIE



CODE	ARTICLE	PACKAGE	WEIGHT
GLTLED80T0W00	AC 778	1 pcs.	1,1 kg

AC 800

LED strip 5 m

LIMIT 500 SERIE
LIMIT 600 SERIE



CODE	ARTICLE	PACKAGE	WEIGHT
GLTLED5000W00	AC 800	1 pcs.	0,40 kg



ELECTRONIC CONTROL BOARD

Wi-fi Electronic control board



ARTICLE	CU 2M ONE	CU 1M ONE	CU LT ONE
CODE	G1U00HP2LOG00	G1U00HP1LOG00	G1ULTHP2LOG00
Power supply	230VAC 50-60Hz	230VAC 50-60Hz	230VAC 50-60Hz
Operator outputs	24VDC 2x50W max	24VDC 1x100W max	24VDC 1x50W max
Flashing light output	24VDC 200mA max	24VDC 200mA max	24VDC 200mA max
Led output	-	-	24VDC 50W max
Electric lock output	24VDC 200mA max	24VDC 200mA max	24VDC 200mA max
Warning light output	BUS Accessories	BUS Accessories	BUS Accessories
Photocells power supply	Powered by BUS	Powered by BUS	Powered by BUS
Back-up battery input	24VDC 7Ah	24VDC 7Ah	24VDC 7Ah
Radio command type	Fixed code and Rolling Code	Fixed code and Rolling Code	Fixed code and Rolling Code
Max codes stored in memory	400 codes	400 codes	400 codes
Working temperature	-20°C +50°C	-20°C +50°C	-20°C +50°C
Dimensions	170x107mm	170x107mm	170x107mm
Other accessories power supply	Powered by BUS	Powered by BUS	Powered by BUS



PACKAGE	WEIGHT
1 pcs.	0,250 kg

GENERAL INFORMATIONS

- All accessories have an extremely easy 2 input bus connection
- The intelligent One control board can identify all peripheral accessories.
- Standard set-up can be achieved with the touch of a button
- Standard set-up can be also achieved with the use of the K-ONE wi-fi key combined with the One App on smartphone or tablet

COMPATIBLE WITH



K-ONE



K-ONE

Wi-fi connection key



CODE	PACKAGE	WEIGHT	
G1KEYWIFLOG00	1 pcs.	0,02 kg	8

GENERAL INFORMATIONS

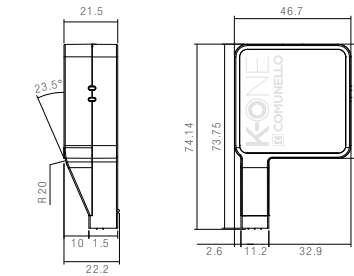
- High-speed bidirectional radio transmitter 2.5 GHz
- Communication based on proprietary protocol
- 20 m range in open air
- Dedicated power supply from the control board

COMPATIBLE WITH



ELETTRONIC CONTROL BOARD

DIMENSIONS



Tablet not included



INDEX ONE

INDEX

INDEX EURO

TACT

Standard key-operated switch



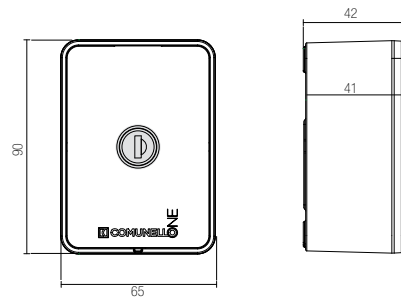
Euro key-operated switch



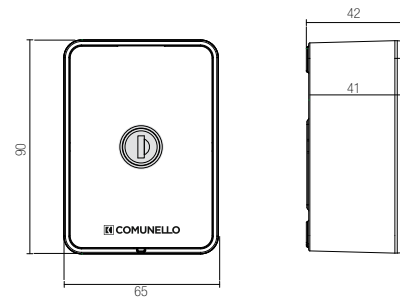
Digital switch with keypad



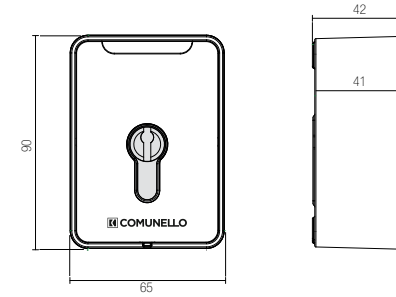
DIMENSIONS



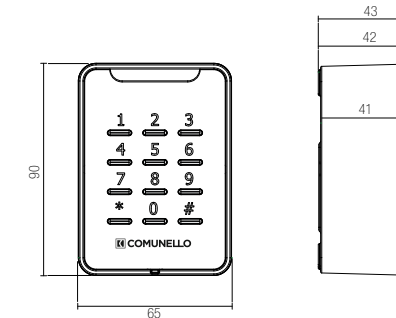
DIMENSIONS



DIMENSIONS



DIMENSIONS



CODE	PACKAGE	WEIGHT
G1INDEXST0B00	1 pcs.	0,248 kg

CODE	PACKAGE	WEIGHT
G1INDEXSTNOB00	1 pcs.	0,248 kg

CODE	PACKAGE	WEIGHT
G1INDEXEU0B00	1 pcs.	0,45 kg

CODE	PACKAGE	WEIGHT
GTACTSTDNOB00	1 pcs.	0,39 kg

GENERAL INFORMATIONS

- Key-operated switch with automatic return and euro style lock. Epoxy-coated cast aluminium casing
- Integrated electronic circuit board with 2 input Bus connections
- Polycarbonate panel hides installation screws
- Casing with key-operated lock for added security

GENERAL INFORMATIONS

- Key-operated switch with automatic return and euro style lock. Epoxy-coated cast aluminium casing
- Integrated electronic circuit board with 3 inputs for simple installation
- Polycarbonate panel hides installation screws
- Casing with key-operated lock for added security

GENERAL INFORMATIONS

- Key-operated switch with automatic return and euro style lock. Epoxy-coated cast aluminium casing
- Integrated electronic circuit board with 3 inputs for simple installation
- Polycarbonate panel hides installation screws
- Casing with key-operated lock for added security

GENERAL INFORMATIONS

- 12 key digital switch with 2-wire connection and protective seal to prevent circuit board oxidation 2 channels
- Rolling Code technology Cast vandal-proof casing
- Decoder compatible with keypad or transponder or a combination of the two

COMPATIBLE WITH



MAST 100 MAST TWIN 100

COMPATIBLE WITH



MAST 100 MAST TWIN 100

COMPATIBLE WITH



MAST 100 MAST TWIN 100

COMPATIBLE WITH



MAST 100 MAST TWIN 100 TACT DEC

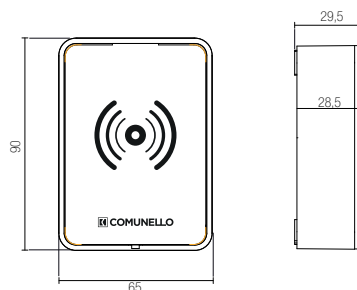


TACT CARD

Switch with transponder



DIMENSIONS



CODE	PACKAGE	WEIGHT
GTACTCARN000	1 pcs.	0,06 kg

GENERAL INFORMATIONS

- Switch with transponder and memory for codes. 2 channels which can be connected to 1 decoder with a cable
- Polymer casings with seal
- Used with a decoder for added security. The decoder can be used either with keypads or transponders or both

COMPATIBLE WITH

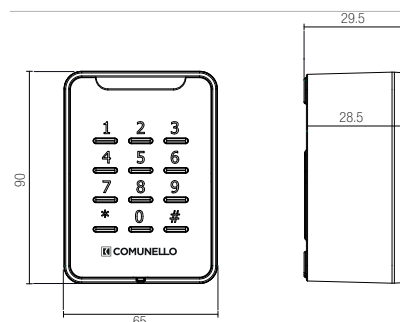


TACT RADIO

Digital switch with radio-controller keypad



DIMENSIONS



CODE	PACKAGE	WEIGHT
GTACTRADN000	1 pcs.	0,08 kg

GENERAL INFORMATIONS

- Digital radio-controlled switch with 2 transmission channels. Complete with protective seal to prevent circuit board oxidation
- No wiring necessary. 200m range outside without obstacles, 35m inside. Quick and easy to install even in locations where there is no existing wiring
- Rolling Code technology and low power consumption for extra-long battery life
- Courtesy light with light sensor for operation only during night-time hours

COMPATIBLE WITH

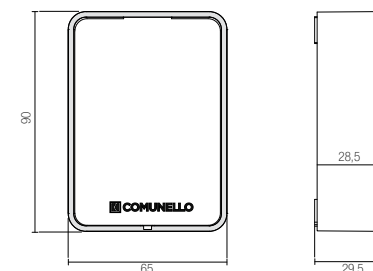


TACT DEC

Decoder



DIMENSIONS



CODE	PACKAGE	WEIGHT
GTACTDECN000	1 pcs.	0,08 kg

GENERAL INFORMATIONS

- The TACT DEC interface, allows connection of TACT CARD proximity readers and TACT keypad selectors for the transmission of commands generated by a transponder and via the digital keypad, for use in combination with electrical and electronic equipment in general
- Rolling Code technology
- The decoder can be used either with keypads or transponders or both

COMPATIBLE WITH



TACT BADGE

Badge



CODE	PACKAGE	WEIGHT
GTACTCRN000	1 pcs.	6 kg

TACT TOKEN

Badge



CODE	PACKAGE	WEIGHT
GTACTTKN000	1 pcs.	0,016 kg

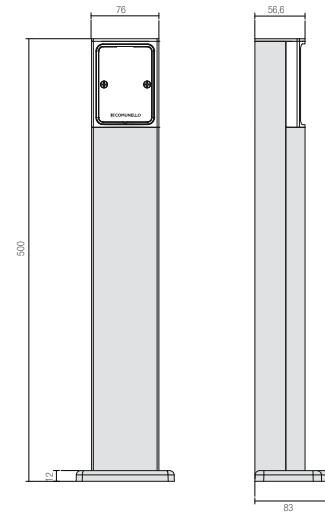
Control units



MAST 50

Extruded aluminium column h 50 cm

DIMENSIONS



CODE	PACKAGE	WEIGHT
GMAST005N0G00	1 pcs.	2,2 kg

GENERAL INFORMATIONS

- Robust extruded aluminium column and base for photocell installation in cases where there are no walls or other structures available. These columns may also be used as an attractive cover for power cables. The columns are modular and can be assembled by the installer as all profiles need only be cut straight. The columns come in two parts to facilitate wiring. The rear channel allows for the wires to be positioned without interfering with the supports

COMPATIBLE WITH



DART



DART ONE

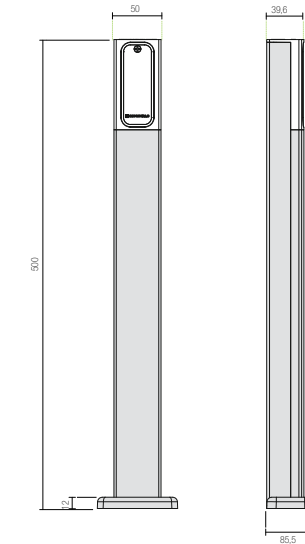


AC 850

MAST 50 SLIM

Extruded aluminium column h 50 cm, version slim

DIMENSIONS



CODE	PACKAGE	WEIGHT
GMAST505N0G00	1 pcs.	2 kg

GENERAL INFORMATIONS

- Robust extruded aluminium column and base for photocell installation in cases where there are no walls or other structures available. These columns may also be used as an attractive cover for power cables. The columns are modular and can be assembled by the installer as all profiles need only be cut straight. The columns come in two parts to facilitate wiring. The rear channel allows for the wires to be positioned without interfering with the supports

COMPATIBLE WITH



DART SLIM



DART SLIM ONE



AC 860

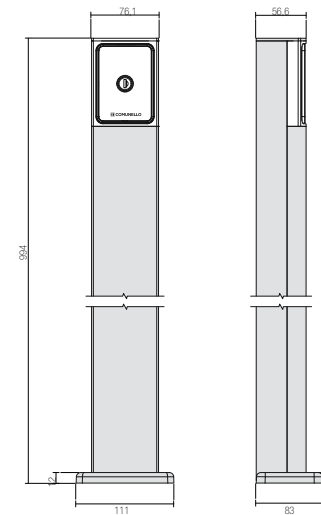


MAST 100

Extruded aluminium column h: 1 m



DIMENSIONS



CODE	PACKAGE	WEIGHT
GMAST010N0G00	1 pcs.	2,1 kg

GENERAL INFORMATIONS

■ Robust extruded aluminium column and base for photocells and control accessories installation in cases where there are no walls or other structures available. These columns may also be used as an attractive cover for power cables. The columns are modular and can be assembled by the installer as all profiles need only be cut straight. The columns come in two parts to facilitate wiring. The rear channel allows for the wires to be positioned without interfering with the supports

COMPATIBLE WITH



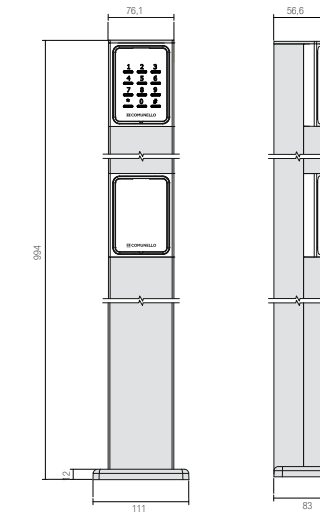
INDEX INDEX ONE INDEX EURO TACT CARD TACT / TACT RADIO AC 850

MAST TWIN 100

Extruded aluminium column h 1 meter for photocells and control accessories installation



DIMENSIONS



CODE	PACKAGE	WEIGHT
GMAST010N0G00	1 pcs.	2 kg

GENERAL INFORMATIONS

■ Robust extruded aluminium column and base for photocells and control accessories installation in cases where there are no walls or other structures available. These columns may also be used as an attractive cover for power cables. The columns are modular and can be assembled by the installer as all profiles need only be cut straight. The columns come in two parts to facilitate wiring. The rear channel allows for the wires to be positioned without interfering with the supports

COMPATIBLE WITH



INDEX INDEX ONE INDEX EURO TACT CARD TACT / TACT RADIO DART



DART ONE AC 850

Control units



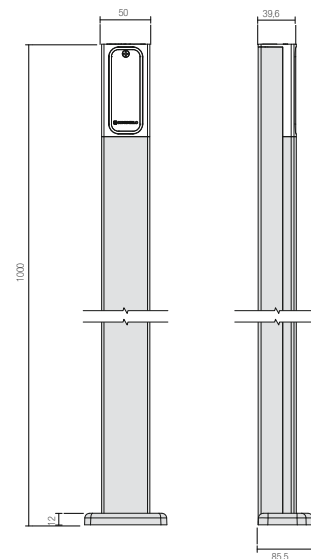
Control accessories

MAST 100 SLIM

Extruded aluminium column h 100 cm, slim version



DIMENSIONS



CODE	PACKAGE	WEIGHT
GMASTS10N0G00	1 pcs.	2,1 kg

GENERAL INFORMATION

■ Robust extruded aluminium column and base for photocells and control accessories installation in cases where there are no walls or other structures available. These columns may also be used as an attractive cover for power cables. The columns are modular and can be assembled by the installer as all profiles need only be cut straight. The columns come in two parts to facilitate wiring. The rear channel allows for the wires to be positioned without interfering with the supports

COMPATIBLE WITH



DART SLIM



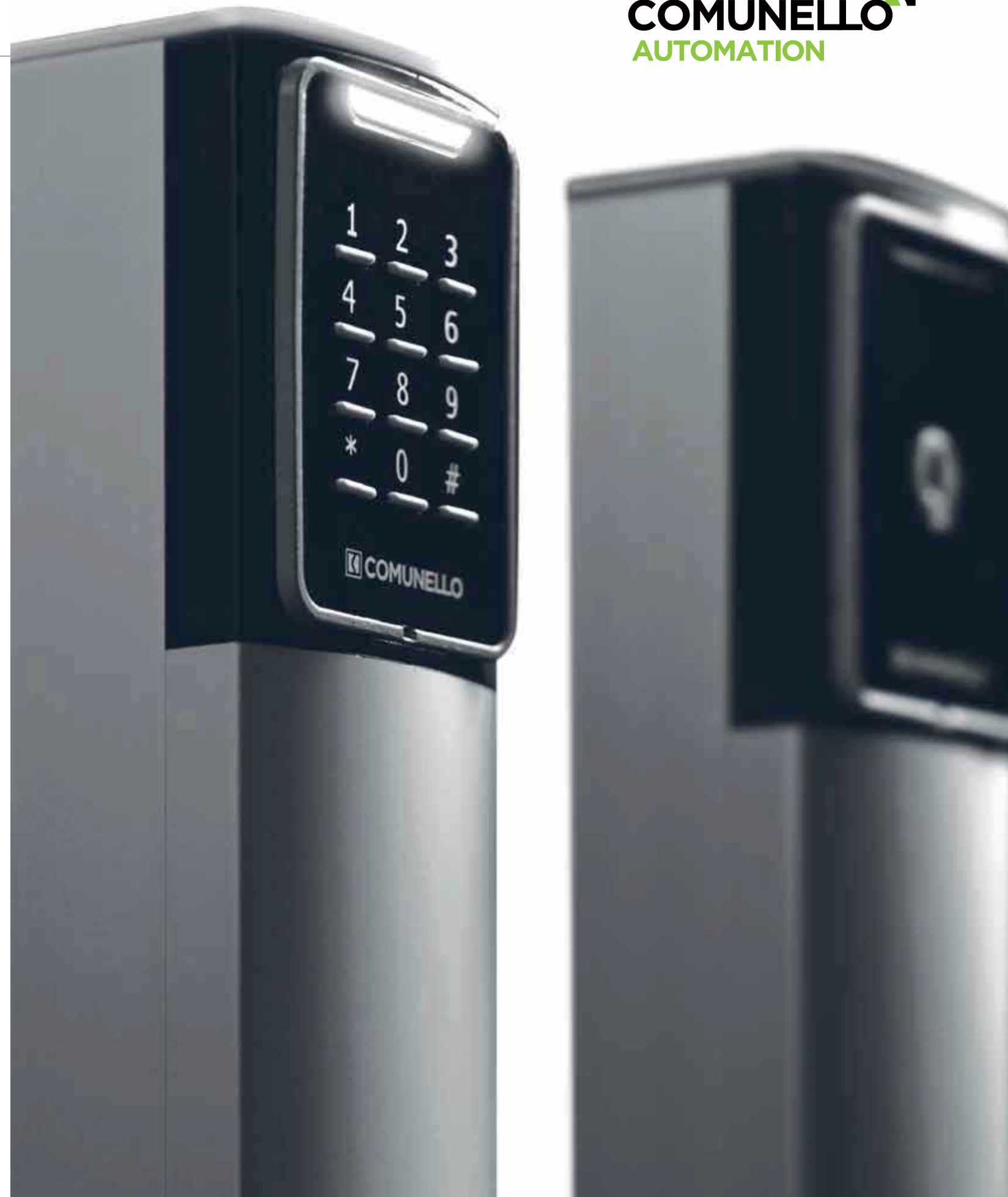
DART SLIM ONE



AC 850

COMUNELLO⁴

AUTOMATION



VICTOR
Choice is freedom.





VICTOR 2 RC

2 channel radio command Rolling Code

VICTOR 2 SYNC

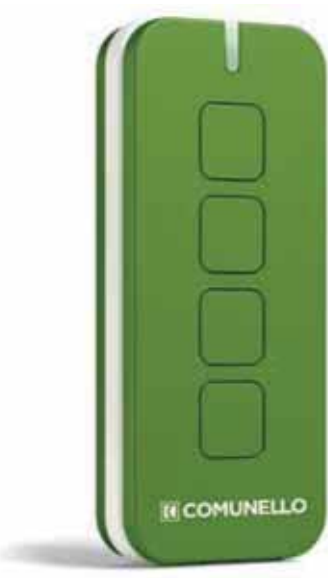
2 channels for the version with fixed code

VICTOR 4 RC

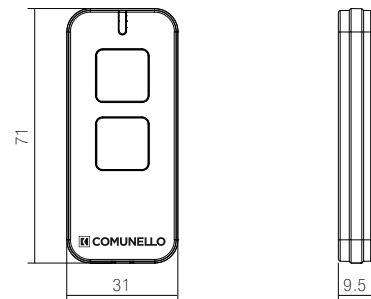
4 channel radio command Rolling Code

VICTOR 4 SYNC

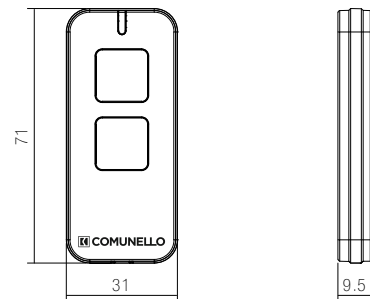
4 channels for the version with fixed code



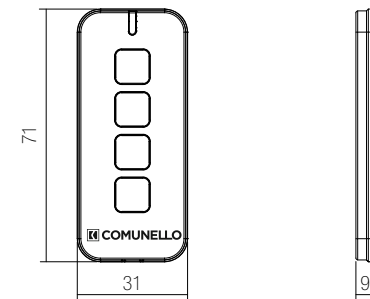
DIMENSIONS



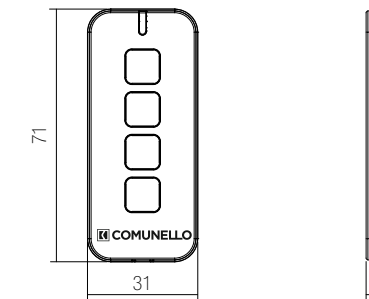
DIMENSIONS



DIMENSIONS



DIMENSIONS



PACKAGE	WEIGHT
1 pcs.	0,02 kg

PACKAGE	WEIGHT
1 pcs.	0,02 kg

PACKAGE	WEIGHT
1 pcs.	0,02 kg

PACKAGE	WEIGHT
1 pcs.	0,02 kg

GENERAL INFORMATIONS

- With 433.92 Mhz frequencies with rolling-code and fixed code with code copying function. Over 18 million possible combinations guarantee the highest levels of security
- 2 channel Rolling Code technology transmitter
- Soft-touch keys. Elegant, ergonomic design
- Range is over 100 mt in open air, powered by a single 3 VDC battery
- Available in 5 versions

GENERAL INFORMATIONS

- 433.92 MHz fixed code radio control system with self-learning copy feature and the facility to copy the code from another fixed-code device. Over 18 million possible combinations guarantee the highest levels of security
- 2 channel Rolling Code technology transmitter
- Soft-touch keys. Elegant, ergonomic design
- Range is over 100 mt in open air, powered by a single 3 VDC battery
- Available in 5 versions

GENERAL INFORMATIONS

- With 433.92 Mhz frequencies with rolling-code and fixed code with code copying function. Over 18 million possible combinations guarantee the highest levels of security
- 4 channel Rolling Code technology transmitter
- Soft-touch keys. Elegant, ergonomic design
- Range is over 100 mt in open air, powered by a single 3 VDC battery
- Available in 5 versions

GENERAL INFORMATIONS

- 433.92 MHz fixed code radio control system with self-learning copy feature and the facility to copy the code from another fixed-code device. Over 18 million possible combinations guarantee the highest levels of security
- 4 channel Rolling Code technology transmitter
- Soft-touch keys. Elegant, ergonomic design
- Range is over 100 mt in open air, powered by a single 3 VDC battery
- Available in 5 versions



Woodland green
GVCTR2STNOV00

Ocean blue
GVCTR2STNOLO0

Saffron yellow
GVCTR2STNOY00

Velvet red
GVCTR2STNOR00

Ardesia
GVCTR2STNOG00



Woodland green
GVCTR4STNOV00

Ocean blue
GVCTR4STNOLO0

Saffron yellow
GVCTR4STNOY00

Velvet red
GVCTR4STNOR00

Ardesia
GVCTR4STNOG00



VICTOR 2 868

2 channel radio command Rolling Code 868,46 MHz

VICTOR 4 868

4 channel radio command Rolling Code 868,46 MHz

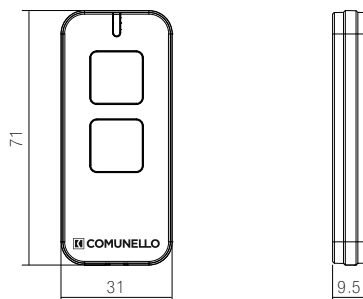
KIT VICTOR

Kit 5 radio command rolling code, 2 channels



Use with RECEIVER 868 (pag. 249)

DIMENSIONS



PACKAGE	WEIGHT
1 pcs.	0,02 kg

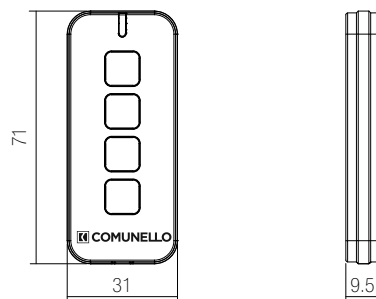
GENERAL INFORMATIONS

- With 433.92 and 868.46 Mhz frequencies with rolling-code and fixed code with code copying function. Over 18 million possible combinations guarantee the highest levels of security.
- 2 channel Rolling Code technology transmitter
- Soft-touch keys. Elegant, ergonomic design
- Range is over 100 mt in open air, powered by a single 3 VDC battery
- Available in 5 versions



Use with RECEIVER 868 (pag. 249)

DIMENSIONS



PACKAGE	WEIGHT
1 pcs.	0,02 kg

GENERAL INFORMATIONS

- With 433.92 and 868.46 Mhz frequencies with rolling-code and fixed code with code copying function. Over 18 million possible combinations guarantee the highest levels of security.
- 4 channel Rolling Code technology transmitter
- Soft-touch keys. Elegant, ergonomic design
- Range is over 100 mt in open air, powered by a single 3 VDC battery
- Available in 5 versions



CODE	PACKAGE	WEIGHT
GVCTR2STN5C00	1 kit	0,10 kg

KIT VICTOR 2 RC KIT CONTEN

- 1 x Woodland green
- 1 x Ocean blue
- 1 x Saffron yellow
- 1 x Velvet red
- 1 x Ardesia



Woodland green
2 channels - GVCTR2S8N0V00
4 channels - GVCTR4S8N0V00



Ocean blue
2 channels - GVCTR2S8N0L00
4 channels - GVCTR4S8N0L00



Saffron yellow
2 channels - GVCTR2S8N0Y00
4 channels - GVCTR4S8N0Y00



Velvet red
2 channels - GVCTR2S8N0R00
4 channels - GVCTR4S8N0R00



Ardesia
2 channels - GVCTR2S8N0G00
4 channels - GVCTR4S8N0G00



Control units

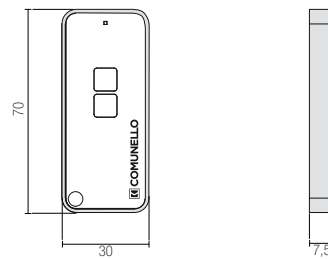


KEEP 2 RC

2 channel radio command Rolling Code



DIMENSIONS



CODE	ARTICLE	PACKAGE	WEIGHT
GKEEP2STNOW00	KEEP 2-RC-W	1 pcs.	0,02 kg
GKEEP2STNOB00	KEEP 2-RC-B	1 pcs.	0,02 kg

GENERAL INFORMATIONS

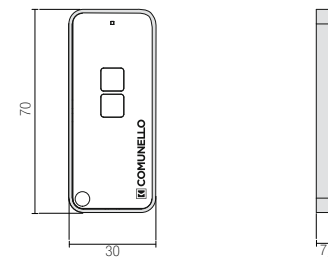
- With 433.92 and 868.46 Mhz frequencies with rolling-code and fixed code with code copying function. Over 18 million possible combinations guarantee the highest levels of security
- 2 channel Rolling Code technology transmitters
- Soft-touch keys. Elegant, ergonomic design
- Easy to replace long-life battery
- Available in black or white

KEEP 2 SYNC

2 channels for the version with fixed code



DIMENSIONS



CODE	ARTICLE	PACKAGE	WEIGHT
GKEEP2SYNOW00	KEEP 2-SY-W	1 pcs.	0,02 kg 1,00
GKEEP2SYNOB00	KEEP 2-SY-B	1 pcs.	0,02 kg 1,00

GENERAL INFORMATIONS

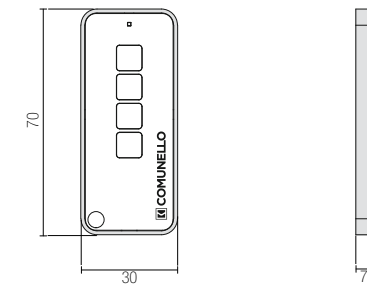
- 433.92 MHz rolling code remote control units with auto-learning system and sequential code. Code can be entered by remote via a programming key on the control board
- 2 channel Rolling Code technology transmitters
- Soft-touch keys. Elegant, ergonomic design
- Easy to replace long-life battery
- Available in black or white

KEEP 4 RC

4 channel radio command Rolling Code



DIMENSIONS



CODE	ARTICLE	PACKAGE	WEIGHT
GKEEP4STNOW00	KEEP 4-RC-W	1 pcs.	0,022 kg
GKEEP4STNOB00	KEEP 4-RC-B	1 pcs.	0,022 kg

GENERAL INFORMATIONS

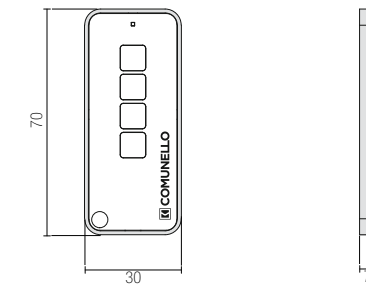
- With 433.92 and 868.46 Mhz frequencies with rolling-code and fixed code with code copying function. Over 18 million possible combinations guarantee the highest levels of security
- 4 channel Rolling Code technology transmitter
- Soft-touch keys. Elegant, ergonomic design
- Easy to replace long-life battery
- Available in black or white

KEEP 4 SYNC

4 channels for the version with fixed code



DIMENSIONS



CODE	ARTICLE	PACKAGE	WEIGHT
GKEEP4SYNOW00	KEEP 4S-W	1 pcs.	0,022 kg 6,00
GKEEP4SYNOB00	KEEP 4S-B	1 pcs.	0,022 kg 6,00

GENERAL INFORMATIONS

- 433.92 MHz rolling code remote control units with auto-learning system and sequential code. Code can be entered by remote via a programming key on the control board
- 4 channel Rolling Code technology transmitter
- Soft-touch keys. Elegant, ergonomic design
- Easy to replace long-life battery
- Available in black or white

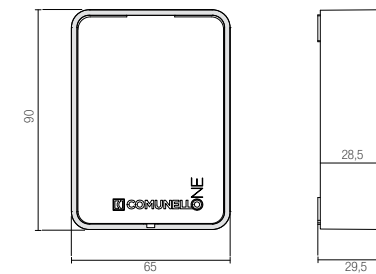


DART ONE

Photocells



DIMENSIONS



CODE	PACKAGE	WEIGHT
G1DARTSTNOB00	1 kit	0,15 kg

GENERAL INFORMATIONS

- 2 input Bus connection
- Simple, reliable and affordable electronics which adapt to suit every kind of system and environment
- Casing with seal to limit water access. Red impact-resistant polycarbonate panel to avoid sun damage etc!
- Hidden fixing screws
- Security in line with EN 12453 standards for all uses and activation

COMPATIBLE WITH



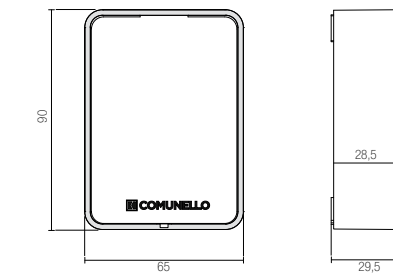
MAST 100 MAST TWIN 100

DART

Photocells



DIMENSIONS



CODE	PACKAGE	WEIGHT
GDARTSTDNOB00	1 kit	0,15 kg

GENERAL INFORMATIONS

- 2 input Bus connection
- Simple, reliable and affordable electronics which adapt to suit every kind of system and environment
- Casing with seal to limit water access. Red impact-resistant polycarbonate panel to avoid sun damage etc!
- Hidden fixing screws
- Security in line with EN 12453 standards for all uses and activation

COMPATIBLE WITH



MAST 100 MAST TWIN 100

Accessories

5.4 SAFETY ACCESSORIES

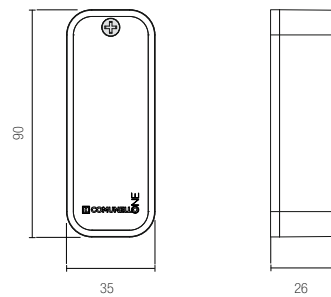


DART SLIM ONE

Photocells, slim version



DIMENSIONS



CODE	PACKAGE	WEIGHT	
G1DARTSLNOB00	1 kit	0,12 kg	0

GENERAL INFORMATIONS

- 2 input Bus connection
- Simple, reliable and affordable electronics which adapt to suit every kind of system and environment
- Digital technology which prevents interference issue
- Casing with seal to limit water access. Red impact-resistant polycarbonate panel to avoid sun damage etcl
- Security in line with EN 12453 standards for all uses and activation

COMPATIBLE WITH



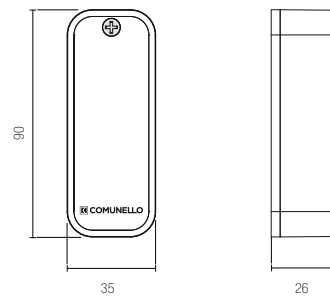
MAST 50 SLIM

DART SLIM

Photocells, slim version



DIMENSIONS



CODE	PACKAGE	WEIGHT	
GDARTSLMNOB00	1 kit	0,12 kg	

GENERAL INFORMATIONS

- 2 input Bus connection
- Simple, reliable and affordable electronics which adapt to suit every kind of system and environment
- Digital technology which prevents interference issue
- Casing with seal to limit water access. Red impact-resistant polycarbonate panel to avoid sun damage etcl
- Security in line with EN 12453 standards for all uses and activation

COMPATIBLE WITH



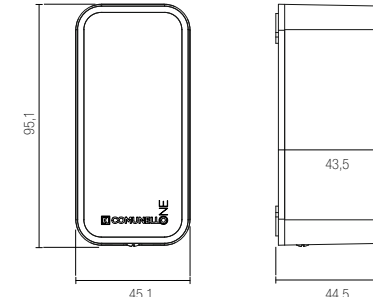
MAST 50 SLIM

DART ADJUSTABLE ONE

Adjustable Photocells



DIMENSIONS



CODE	PACKAGE	WEIGHT	
G1DARTADNOB00	1 kit	0,12 kg	1

GENERAL INFORMATIONS

- Sensor adjustable 180° horizontal and 10° vertical. Solves installation problems in cases where lining up the sensors is difficult

COMPATIBLE WITH



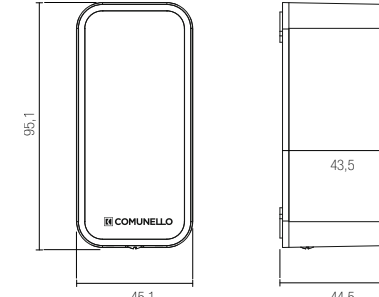
MAST 50 SLIM

DART ADJUSTABLE

Adjustable Photocells



DIMENSIONS



CODE	PACKAGE	WEIGHT	
GDARTADJNOB00	1 kit	0,16 kg	0

GENERAL INFORMATIONS

- Sensor adjustable 180° horizontal and 10° vertical. Solves installation problems in cases where lining up the sensors is difficult

COMPATIBLE WITH



MAST 50 SLIM

Control units

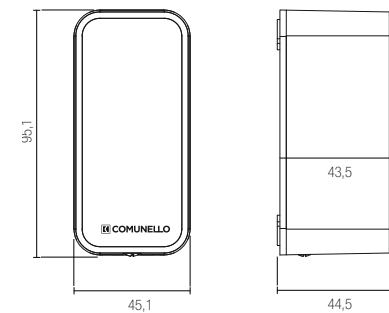


DART BATTERY

Battery powered adjustable external photocells



DIMENSIONS



CODE	PACKAGE	WEIGHT
GDARTBMNOB00	1 kit	0,2 kg

GENERAL INFORMATION

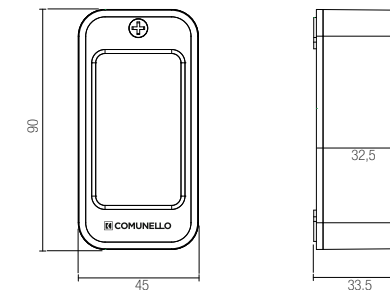
- Simplified installation of touch-sensitive strips (active safety edge) on the mobile leaf. 8k2 input ready for connection to the strip. If the contact is closed or the cable broken the strip is interrupted and detected by the receiver. The photocell prevents impact before the safety edge is applied
- Long-life battery
- Also works with photocell

RECEIVER

Radio receiver



DIMENSIONS



CODE	PACKAGE	WEIGHT
GRESIVERNOG00	1 pcs.	0,2 kg

GENERAL INFORMATION

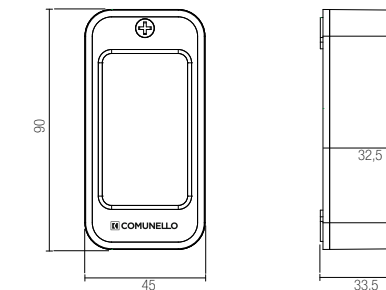
- Dual-channel Radio receiver
- Allows the activation of remote control of electrical equipment through one or more transmitters

RECEIVER 868

Radio receiver 868,46 MHz



DIMENSIONS



PACKAGE	WEIGHT
1 pcs.	0,2 kg

GENERAL INFORMATION

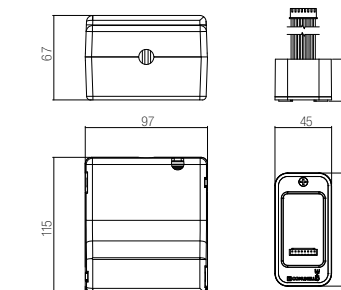
- Dual-channel Radio receiver
- Allows the activation of remote control of electrical equipment through one or more transmitters

AC-51 BATTERY KIT

ONE battery kit



DIMENSIONS



CODE	PACKAGE	WEIGHT
G1BATTERLOG00	1 pcs.	1,3 kg

GENERAL INFORMATION

- Two batteries 12V / 1.2Ah standard.
- An interface checks the short circuits and directs the power to the whole system (Control board, BUS and Motor).
- A pre-cable wire makes an easy connection between the batteries and the interface.

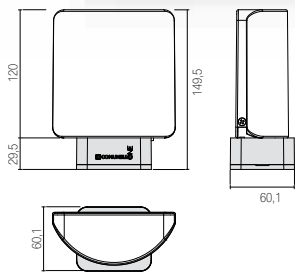


SWIFT LED ONE

Flashing signal lights



DIMENSIONS



CODE	ARTICLE	PACKAGE	WEIGHT
G1SWIFTSTYB00	SWIFT-Y	1 pcs.	0,26 kg
G1SWIFTSTWB00	SWIFT-W	1 pcs.	0,26 kg

GENERAL INFORMATIONS

White Yellow

- 2 input Bus connection
- Universal LED version which can be fitted both vertically and horizontally (with optional support bar)
- Built-in 433.92 MHz antenna for all versions
- Built-in flashing system
- Optional jumper activated fixed light available
- Energy efficient thanks to led technology

COMPATIBLE WITH



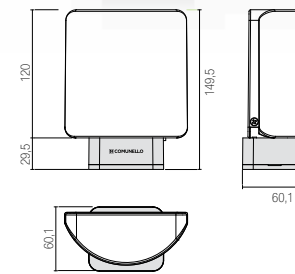
SWIFT BASE

SWIFT LED

Flashing signal lights



DIMENSIONS



CODE	ARTICLE	PACKAGE	WEIGHT
G1SWIFTSTLYB00	SWIFT-Y	1 pcs.	0,26 kg
G1SWIFTSTLWB00	SWIFT-W	1 pcs.	0,26 kg

GENERAL INFORMATIONS

White Yellow

- 2 input Bus connection
- Universal LED version which can be fitted both vertically and horizontally (with optional support bar)
- Built-in 433.92 MHz antenna for all versions
- Built-in flashing system
- Optional jumper activated fixed light available
- Energy efficient thanks to led technology

COMPATIBLE WITH



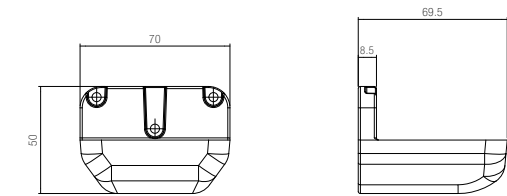
SWIFT BASE

SWIFT BASE

Support for Flashing signal lights



DIMENSIONS

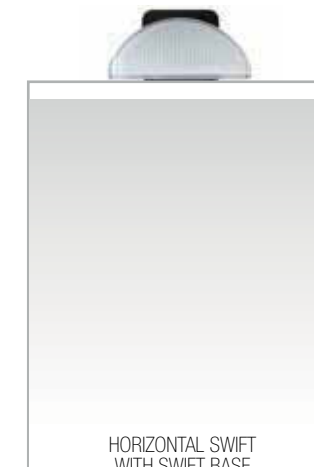


CODE	ARTICLE	PACKAGE	WEIGHT
G1SWIFTSUPOB00	SWIFT BASE	1 pcs.	0,05 kg

APPLICATIONS



SWIFT



HORIZONTAL SWIFT
WITH SWIFT BASE



VERTICAL SWIFT
WITH SWIFT BASE

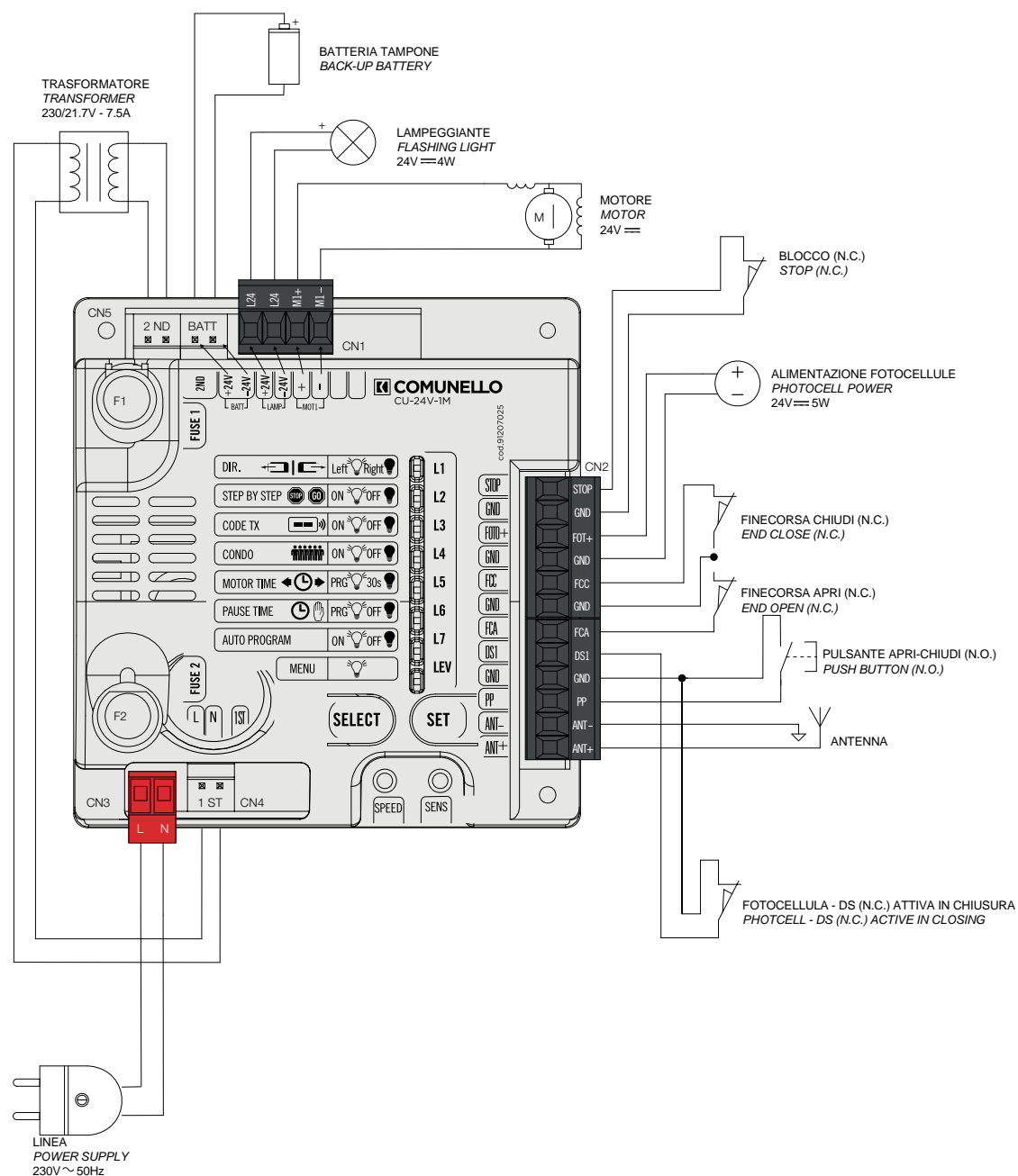
5.5

Wiring diagrams



CU 24V 1M Control Unit 24V 1 motor

Wiring diagram



FUNCTIONS

MAIN MENU	LED OFF	LED ON	Description
DIR	Right opening	Left opening	Adjustment of delay between two leaves
STEP BY STEP	Automatic	Step-by-step	Step-by-step function: open close stop close
CODE TX	No code	Code entered	Radio control memory function
CONDO	OFF	ON	Apartment block function
MOTOR TIME	30 sec.	Selected time	Motor time adjustment
PAUSE TIME	W/O automatic closing	With automatic closing	Leaf pause time
AUTO PROGRAM	OFF	ON	Automatic programming function
MENU	ON		Menu selection

Extended Menu 1 is activated by selecting the LEV LED via the SELECT button and pressing the SET button once

EXTENDED MENU 1	LED OFF	LED ON	Description
PGM CODE	OFF	ON	Remote programming function
PHOTOTEST	OFF	ON	Phototest
SLOW DOWN	OFF	ON	Slow down
DELAY	OFF	ON	Adjustment of delay between two leaves
WATER HAMMER	OFF	ON	Water hammer function
POWER CLOSE	OFF	ON	Full power closing for 1 second
COURTESY LIGHT	OFF	ON	Pre-flash or courtesy light function
LEV	1 FLASH		Menu selection

Extended Menu 2 is activated by selecting the LEV LED via the SELECT button and pressing the SET button twice

EXTENDED MENU 2	LED OFF	LED ON	Description
SOFT STOP	OFF	ON	Soft stop
SOFT START	OFF	ON	Soft start (from 0 to the selected level)
SAFE 1 OPENING	OFF	ON	Closing sensor activated during opening
MANNED	OFF	ON	Manned function
FOLLOW ME	OFF	ON	Follow me (reduced opening time once the sensor has been passed)
PAUSE LIGHT	OFF	ON	Activation of flashing light when gate paused
ALWAYS CLOSE	OFF	ON	Always close
LEV	2 FLASHES		Menu selection

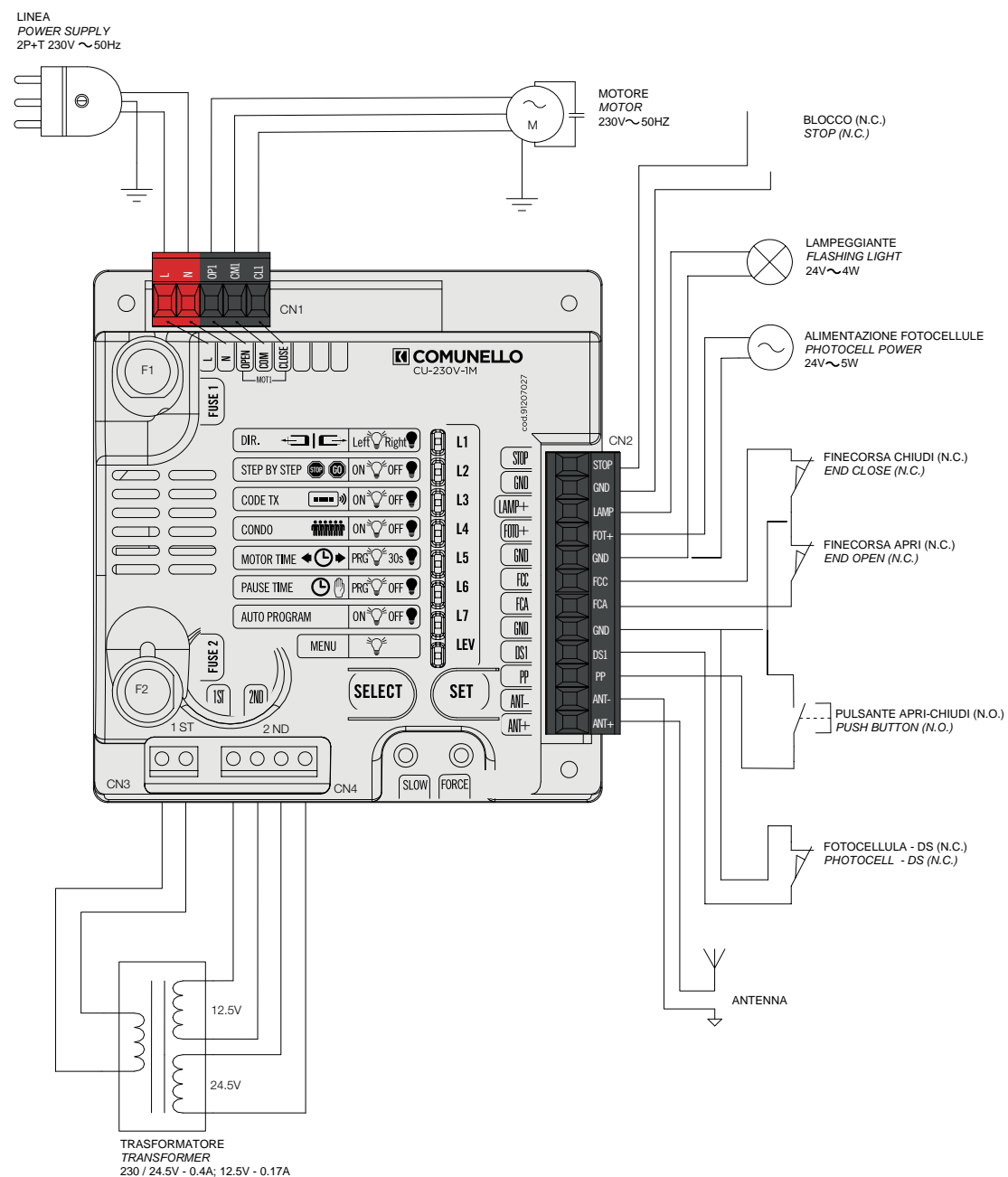
Extended Menu 3 is activated by selecting the LEV LED via the SELECT button and pressing the SET button three times

EXTENDED MENU 3	LED ON	Description
SLOW DOWN POWER	ON	Power level adjustment during motor slow down phase
LEV	3 FLASHES	Menu selection

In case of using 1 added stop input we recommend to use of the control unit CU 24V HP

CU 230V 1M Control Unit 230V 1 motor

Wiring diagram



FUNCTIONS

MAIN MENU	LED OFF	LED ON	Description
DIR	Right opening	Left opening	Opening direction
STEP BY STEP	Automatic	Step-by-step	Step-by-step function: open close stop close
CODE TX	No code	Code entered	Radio control memory function
CONDO	OFF	ON	Apartment block function
MOTOR TIME	30 sec.	Selected time	Motor time adjustment
PAUSE TIME	W/O automatic closing	With automatic closing	Leaf pause time
AUTO PROGRAM	OFF	ON	Automatic programming function
MENU	ON		Menu selection

Extended Menu 1 is activated by selecting the LEV LED via the SELECT button and pressing the SET button once

EXTENDED MENU 1	LED OFF	LED ON	Description
PHOTOTEST	OFF	ON	Phototest
PED. TIME	Ped. time 10s	Programmed Ped. Time	Automatic programming function
SLOW DOWN	OFF	ON	Slow down function
BRAKE	OFF	ON	Motor braking
WATER HAMMER	OFF	ON	Water hammer function
POWER CLOSE	OFF	ON	Full power closing for 1 second
COURTESY LIGHT	OFF	ON	Pre-flash or courtesy light function
LEV	1 FLASH		Menu selection

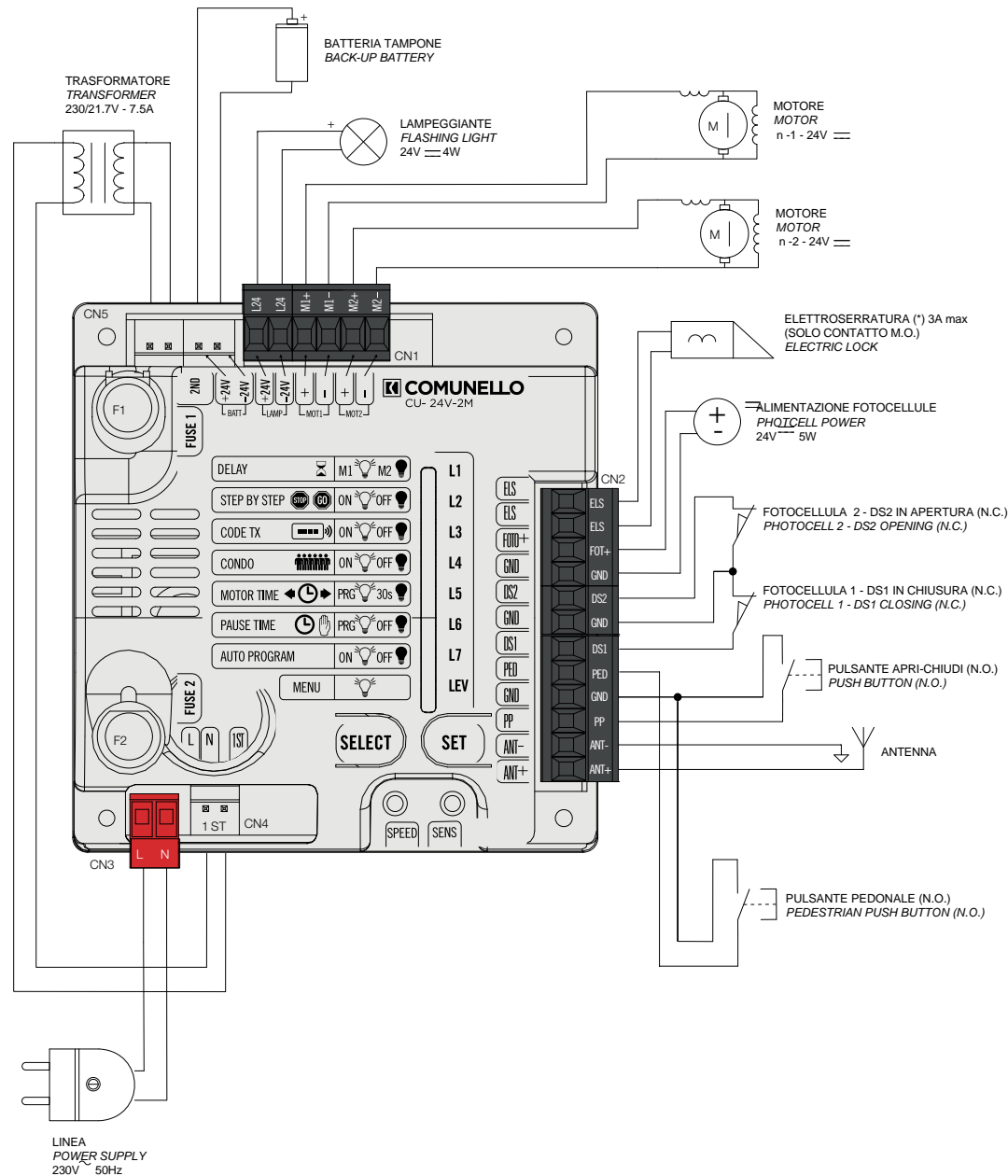
Extended Menu 2 is activated by selecting the LEV LED via the SELECT button and pressing the SET button twice

EXTENDED MENU 2	LED OFF	LED ON	Description
SOFT STOP	OFF	ON	Soft stop
SOFT START	OFF	ON	Soft start (from 0 to the selected level)
DS1 OPENING	OFF	ON	Closing sensor activated during opening
MANNED	OFF	ON	Manned function
FOLLOW ME	OFF	ON	Follow me (reduced opening time once the sensor has been passed)
PAUSE LIGHT	OFF	ON	Activation of flashing light when gate paused
ALWAYS CLOSE	OFF	ON	Always close
LEV	2 FLASHES		Menu selection

In caso di utilizzo di 1 ingresso stop aggiuntivo si consiglia l'utilizzo della centrale CU 230V HP

CU 24V 2M Control Unit 24V 2 motors

Wiring diagram



FUNCTIONS

MAIN MENU	LED OFF	LED ON	Description
DELAY	Motor delay 2	Motor delay 1	Leaf selection
STEP BY STEP	Automatic	Step-by-step	Step-by-step function: open close stop close
CODE TX	No code	Code entered	Radio control memory function
CONDO	OFF	ON	Apartment block function
MOTOR TIME	30 sec.	Selected time	Motor time adjustment
PAUSE TIME	W/O automatic closing	With automatic closing	Leaf pause time
PED. TIME	Ped. time 10s	Programmed Ped. Time	Automatic programming function
MENU	ON		Menu selection

Extended Menu 1 is activated by selecting the LEV LED via the SELECT button and pressing the SET button once

EXTENDED MENU 1	LED OFF	LED ON	Description
PGM CODE	OFF	ON	Remote programming function
PHOTOTEST	OFF	ON	Phototest
SLOW DOWN	OFF	ON	Slow down
DELAY	OFF	ON	Adjustment of delay between two leaves
WATER HAMMER	OFF	ON	Water hammer function
POWER CLOSE	OFF	ON	Full power closing for 1 second
COURTESY LIGHT	OFF	ON	Pre-flash or courtesy light function
LEV	1 FLASH		Menu selection

Extended Menu 2 is activated by selecting the LEV LED via the SELECT button and pressing the SET button twice

EXTENDED MENU 2	LED OFF	LED ON	Description
SOFT STOP	OFF	ON	Soft stop
SOFT START	OFF	ON	Soft start (from 0 to the selected level)
SAFE 1 OPENING	OFF	ON	Closing sensor activated during opening
MANNED	OFF	ON	Manned function
FOLLOW ME	OFF	ON	Follow me (reduced opening time once the sensor has been passed)
PAUSE LIGHT	OFF	ON	Activation of flashing light when gate paused
ALWAYS CLOSE	OFF	ON	Always close
LEV	2 FLASHES		Menu selection

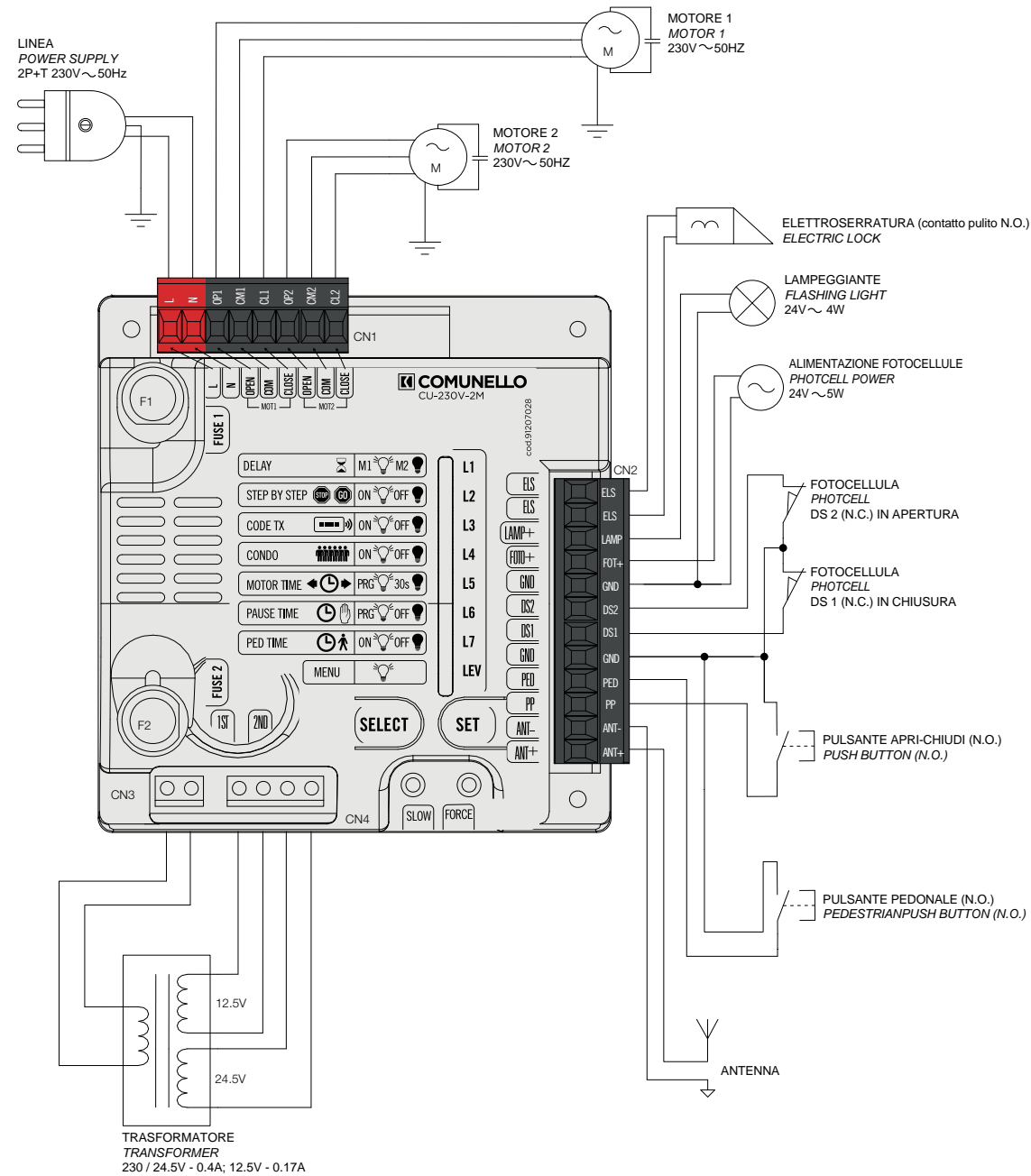
Extended Menu 3 is activated by selecting the LEV LED via the SELECT button and pressing the SET button three times

EXTENDED MENU 3	LED ON	Description
SLOW DOWN POWER	ON	Power level adjustment during motor slow down phase
LEV	3 FLASHES	Menu selection

In case of using 1 added stop input we recommend to use of the control unit CU 24V HP

CU 230V 2M Control Unit 230V 2 motors

Wiring diagram



FUNCTIONS

MAIN MENU	LED OFF	LED ON	Description
DELAY	Motor delay 2	Motor delay 1	Leaf selection
STEP BY STEP	Automatic	Step-by-step	Step-by-step function: open close stop close
CODE TX	No code	Code entered	Radio control memory function
CONDO	OFF	ON	Apartment block function
MOTOR TIME	30 sec.	Selected time	Motor time adjustment
PAUSE TIME	W/O automatic closing	With automatic closing	Leaf pause time
PED. TIME	Ped. time 10s	Programmed Ped. Time	Automatic programming function
MENU	ON		Menu selection

Extended Menu 1 is activated by selecting the LEV LED via the SELECT button and pressing the SET button once

EXTENDED MENU 1	LED OFF	LED ON	Description
PGM CODE	OFF	ON	Remote programming function
PHOTOTEST	OFF	ON	Phototest
SLOW DOWN	OFF	ON	Slow down
DELAY	OFF	ON	Adjustment of delay between two leaves
WATER HAMMER	OFF	ON	Water hammer function
POWER CLOSE	OFF	ON	Full power closing for 1 second
COURTESY LIGHT	OFF	ON	Pre-flash or courtesy light function
LEV	1 FLASH		Menu selection

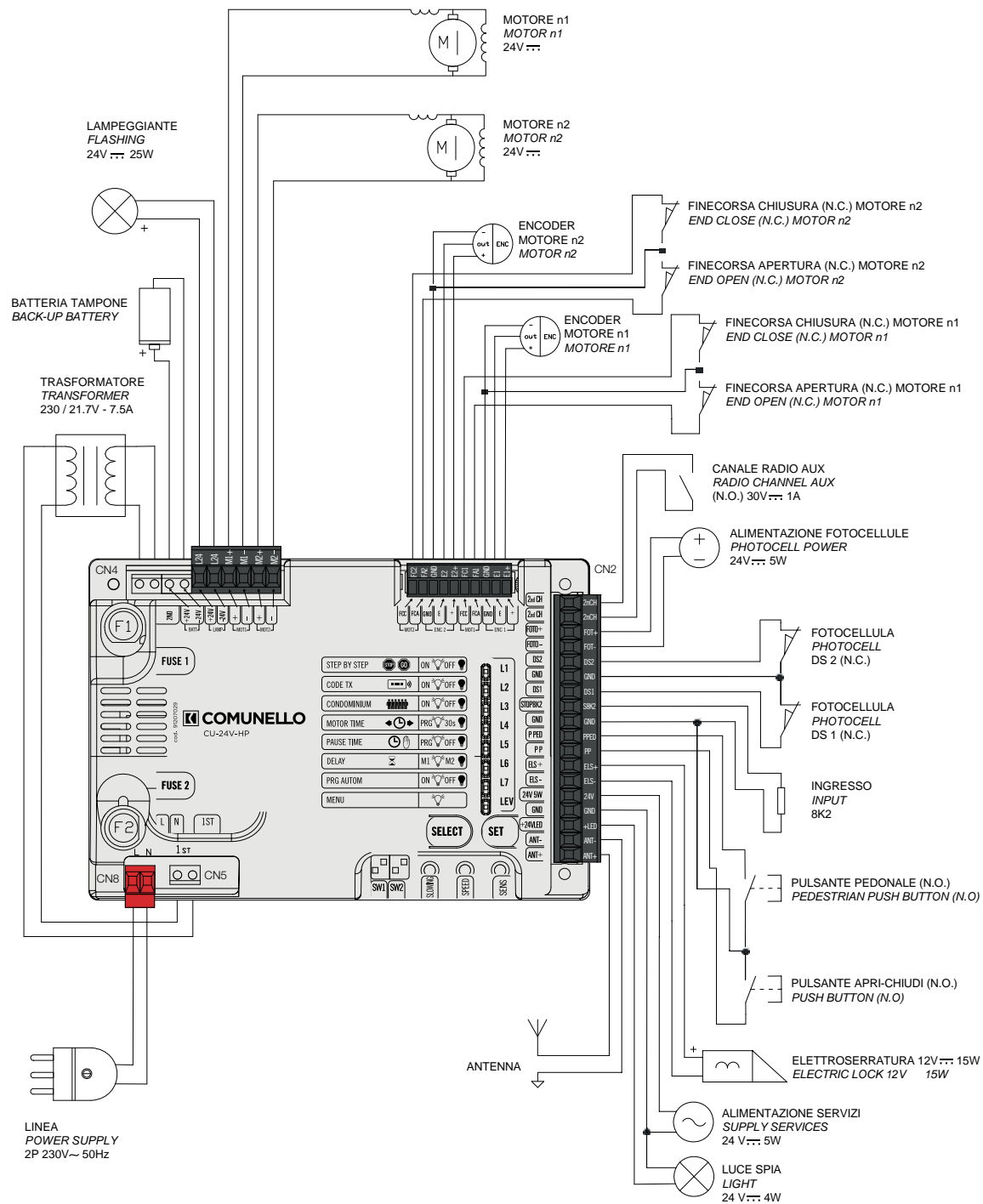
Extended Menu 2 is activated by selecting the LEV LED via the SELECT button and pressing the SET button twice

EXTENDED MENU 2	LED OFF	LED ON	Description
SOFT STOP	OFF	ON	Soft stop
SOFT START	OFF	ON	Soft start (from 0 to the selected level)
DS1 OPENING	OFF	ON	Closing sensor activated during opening
MANNED	OFF	ON	Manned function
FOLLOW ME	OFF	ON	Follow me (reduced opening time once the sensor has been passed)
PAUSE LIGHT	OFF	ON	Activation of flashing light when gate paused
ALWAYS CLOSE	OFF	ON	Always close
LEV	2 FLASHES		Menu selection

In case of using 1 added stop input we recommend to use of the control unit CU 230V HP

CU 24V HP Control Unit 24V 1/2 motors

Wiring diagram



FUNCTIONS

MAIN MENU	LED OFF	LED ON	Description
STEP BY STEP	Automatic	Step-by-step	Step-by-step function: open close stop close
CODE TX	No code	Code entered	Radio control memory function
CONDO	OFF	ON	Apartment block function
MOTOR TIME	30 sec.	Selected time	Motor time adjustment function
PAUSE TIME	W/O automatic closing	With automatic closing	Leaf pause time function
DELAY	OFF	ON	Adjustment of delay between two leaves
AUTOMATIC PROGRAMMING	OFF	ON	Automatic programming function
MENU	ON		Menu selection

Extended Menu 1 is activated by selecting the LEV LED via the SELECT button and pressing the SET button once

EXTENDED MENU 1	LED OFF	LED ON	Description
MANNED	OFF	ON	Manned function
PEDESTRIAN BUTTON / SINGLE LEAF	Pedestrian button	Pedestrian leaf	Single leaf opening
PEDESTRIAN BUTTON / DS3	Pedestrian button	DS3	Third sensor function
PHOTOTEST	OFF	ON	Phototest
DS2 STOP IN CLOSING	OFF	ON	DS2 sensor use during closing
DS1 PARTIAL INVERSION	OFF	ON	Partial inversion during closing
8K2 RELEASE	OFF	ON	8K2 release function
LEV	1 FLASH		Menu selection

Extended Menu 2 is activated by selecting the LEV LED via the SELECT button and pressing the SET button twice

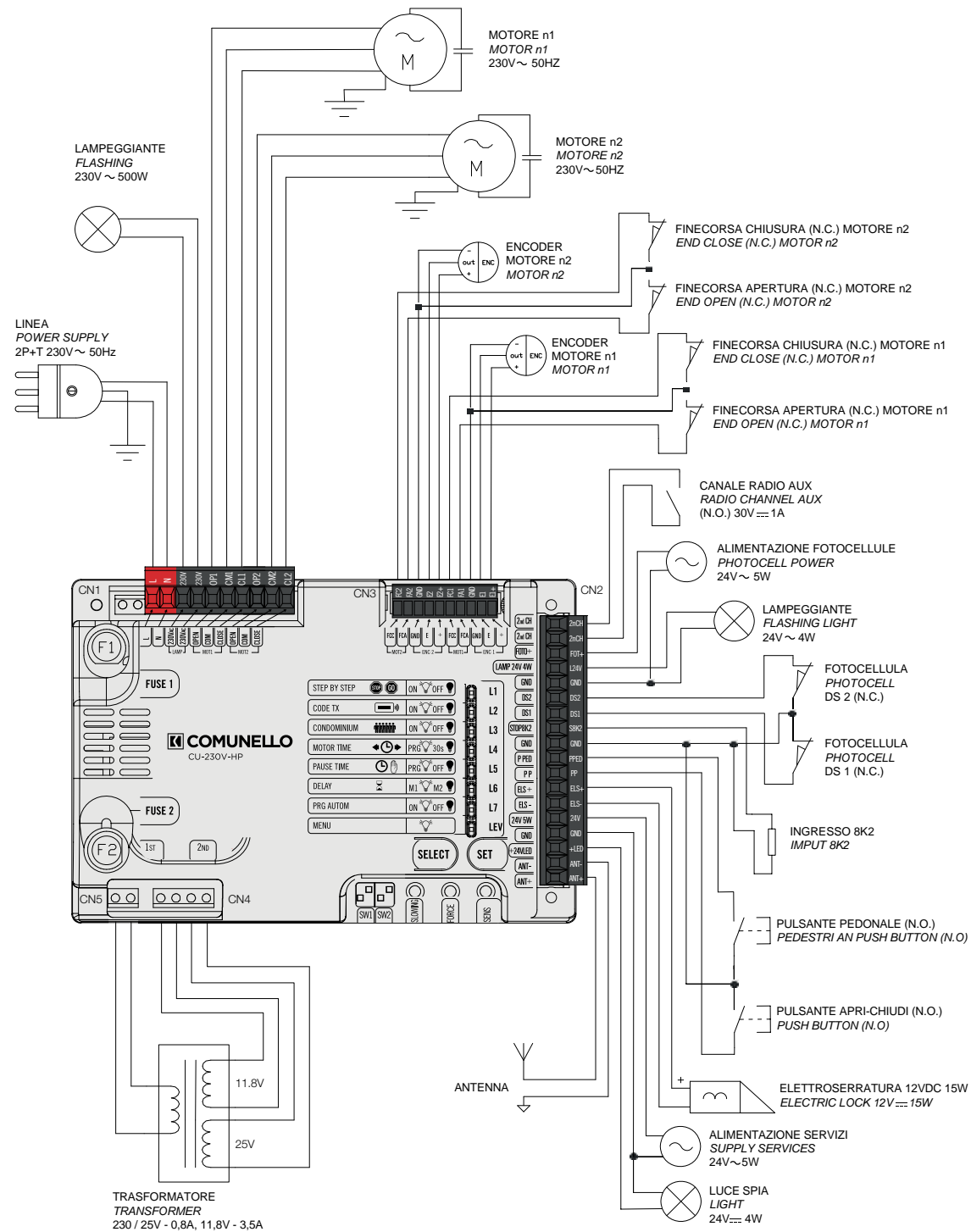
EXTENDED MENU 2	LED OFF	LED ON	Description
BRAKE	OFF	ON	Motor braking
SLOW DOWN	OFF	ON	Slow down
ALWAYS CLOSE	OFF	ON	Always close
FOLLOW ME	OFF	ON	Follow me (reduced opening time once the sensor has been passed)
PEDESTRIAN TIME	10 Sec	Selected time	Time the pedestrian leaf stays open
FIXED CODE AUX CHANNEL	OFF	ON	Auxiliary channel functioning system
REMOTE PROGRAMMING	OFF	ON	Remote programming function
LEV	2 FLASHES		Menu selection

Extended Menu 3 is activated by selecting the LEV LED via the SELECT button and pressing the SET button three times

EXTENDED MENU 3	LED OFF	LED ON	Description
SOFT STOP	OFF	ON	Soft stop
SOFT START	OFF	ON	Soft start (from 0 to the selected level)
WATER HAMMER	OFF	ON	Water hammer function
POWER CLOSE	OFF	ON	Full power closing for 1 second
ELS / CMD PED	OFF	ON	Electronic lock activation
INACTIVITY LIGHT	OFF	ON	Activation of flashing light when gate inactive
COURTESY LIGHT	OFF	ON	Pre-flash or courtesy light function
LEV	3 FLASHES		Menu selection

CU 230V HP Control Unit 230V 1/2 motors

Wiring diagram



FUNCTIONS

MAIN MENU	LED OFF	LED ON	Description
STEP BY STEP	Automatic	Step-by-step	Step-by-step function: open close stop close
CODE TX	No code	Code entered	Radio control memory function
CONDO	OFF	ON	Apartment block function
MOTOR TIME	30 sec.	Selected time	Motor time adjustment function
PAUSE TIME	W/O automatic closing	With automatic closing	Leaf pause time function
DELAY	OFF	ON	Adjustment of delay between two leaves
AUTOMATIC PROGRAMMING	OFF	ON	Automatic programming function
MENU	ON		Menu selection

Extended Menu 1 is activated by selecting the LEV LED via the SELECT button and pressing the SET button once

EXTENDED MENU 1	LED OFF	LED ON	Description
MANNED	OFF	ON	Manned function
PEDESTRIAN BUTTON / SINGLE LEAF	Pedestrian button	Pedestrian leaf	Single leaf opening
PEDESTRIAN BUTTON / DS3	Pedestrian button	DS3	Third sensor function
PHOTOTEST	OFF	ON	Phototest
DS2 STOP IN CLOSING	OFF	ON	DS2 sensor use during closing
DS1 PARTIAL INVERSION	OFF	ON	Partial inversion during closing
8K2 RELEASE	OFF	ON	8K2 release function
LEV	1 FLASH		Menu selection

Extended Menu 2 is activated by selecting the LEV LED via the SELECT button and pressing the SET button twice

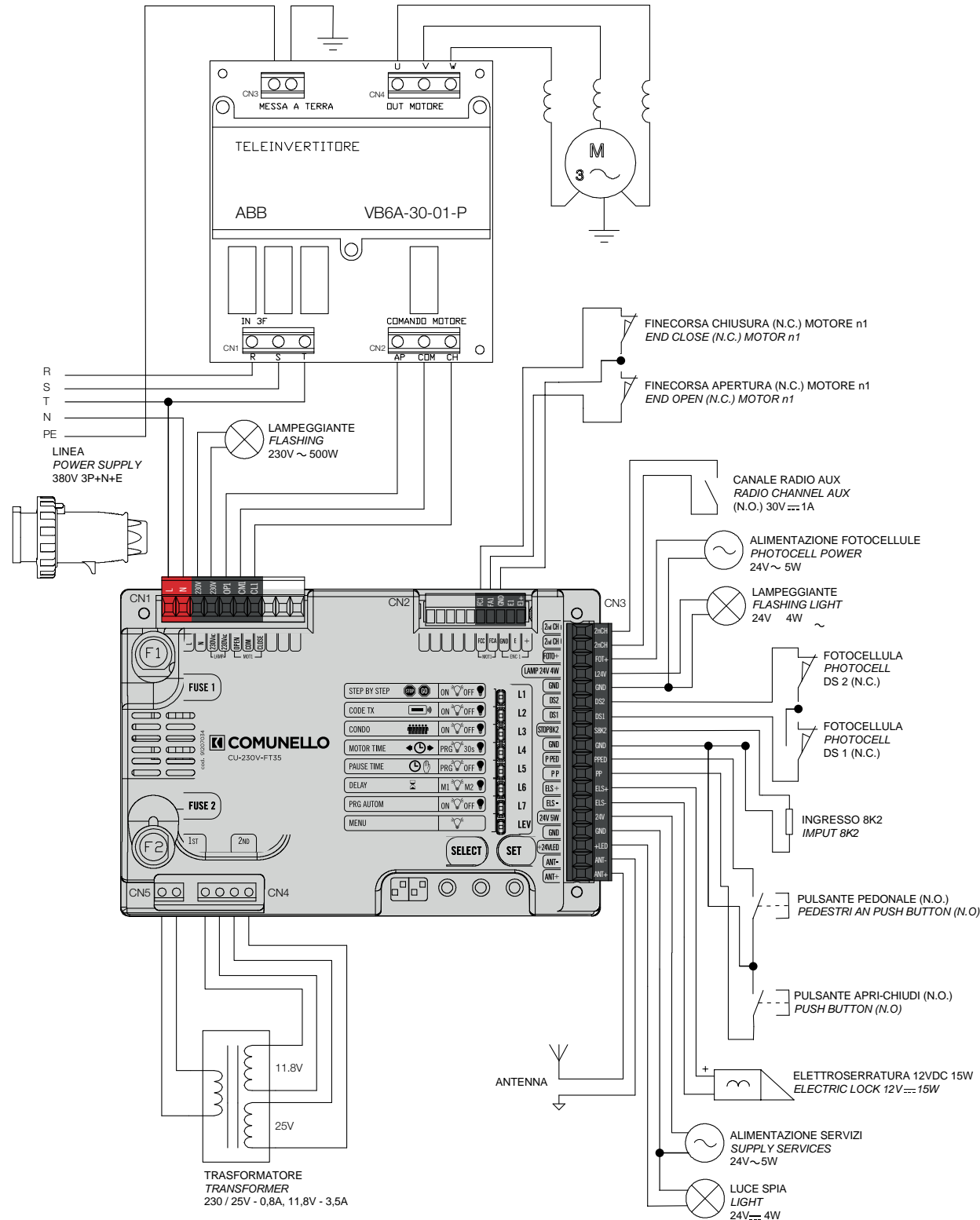
EXTENDED MENU 2	LED OFF	LED ON	Description
BRAKE	OFF	ON	Motor braking
SLOW DOWN	OFF	ON	Slow down
ALWAYS CLOSE	OFF	ON	Always close
FOLLOW ME	OFF	ON	Follow me (reduced opening time once the sensor has been passed)
PEDESTRIAN TIME	10 Sec	Selected time	Time the pedestrian leaf stays open
FIXED CODE AUX CHANNEL	OFF	ON	Auxiliary channel functioning system
REMOTE PROGRAMMING	OFF	ON	Remote programming function
LEV	2 FLASHES		Menu selection

Extended Menu 3 is activated by selecting the LEV LED via the SELECT button and pressing the SET button three times

EXTENDED MENU 3	LED OFF	LED ON	Description
SOFT STOP	OFF	ON	Soft stop
SOFT START	OFF	ON	Soft start (from 0 to the selected level)
WATER HAMMER	OFF	ON	Water hammer function
POWER CLOSE	OFF	ON	Full power closing for 1 second
ELS / CMD PED	OFF	ON	Electronic lock activation
INACTIVITY LIGHT	OFF	ON	Activation of flashing light when gate inactive
COURTESY LIGHT	OFF	ON	Pre-flash or courtesy light function
LEV	3 FLASHES		Menu selection

CU 230V FT35/HP 380V Control Unit 230V Fort 3500

Wiring diagram



FUNCTIONS

MAIN MENU	LED OFF	LED ON	Description
STEP BY STEP	Automatic	Step-by-step	Step-by-step function: open close stop close
CODE TX	No code	Code entered	Radio control memory function
CONDO	OFF	ON	Apartment block function
MOTOR TIME	30 sec.	Selected time	Motor time adjustment function
PAUSE TIME	W/O automatic closing	With automatic closing	Leaf pause time function
DELAY	OFF	ON	Adjustment of delay between two leaves
AUTOMATIC PROGRAMMING	OFF	ON	Automatic programming function
MENU	ON		Menu selection

Extended Menu 1 is activated by selecting the LEV LED via the SELECT button and pressing the SET button once

EXTENDED MENU 1	LED OFF	LED ON	Description
MANNED	OFF	ON	Manned function
PEDESTRIAN BUTTON / SINGLE LEAF	Pedestrian button	Pedestrian leaf	Single leaf opening
PEDESTRIAN BUTTON / DS3	Pedestrian button	DS3	Third sensor function
PHOTOTEST	OFF	ON	Phototest
DS2 STP IN CLOSING	OFF	ON	Ds2 sensor use during closing
DS1 PARTIAL INVERSION	OFF	ON	Partial inversion during closing
8K2 RELEASE	OFF	ON	8K2 release function
LEV	1 FLASH		Menu selection

Extended Menu 2 is activated by selecting the LEV LED via the SELECT button and pressing the SET button twice

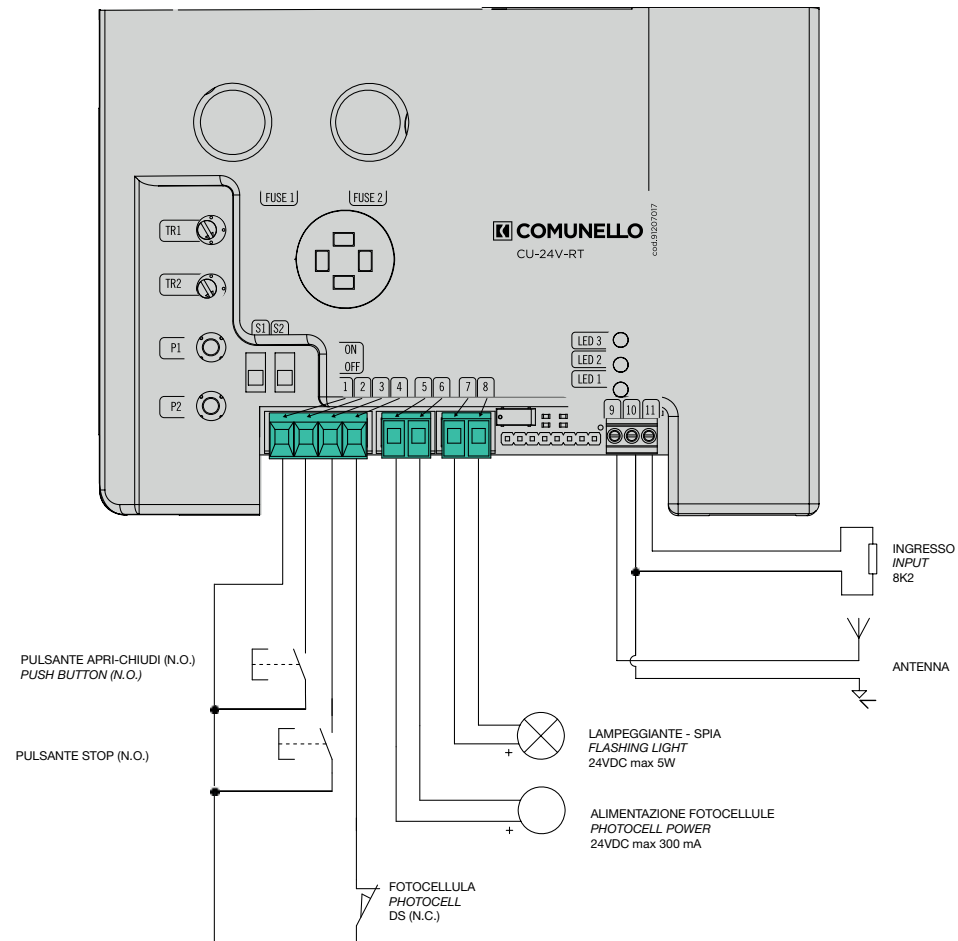
EXTENDED MENU 2	LED OFF	LED ON	Description
BRAKE	-	-	DO NOT USE
SLOW DOWN	-	-	DO NOT USE
ALWAYS CLOSE	OFF	ON	Always close
FOLLOW ME	OFF	ON	Follow me (reduced opening time once the sensor has been passed)
PEDESTRIAN TIME	10 Sec	Selected time	Time the pedestrian leaf stays open
FIXED CODE AUX CHANNEL	OFF	ON	Auxiliary channel functioning system
REMOTE PROGRAMMING	OFF	ON	Remote programming function
LEV	2 FLASHES		Menu selection

Extended Menu 3 is activated by selecting the LEV LED via the SELECT button and pressing the SET button three times

EXTENDED MENU 3	LED OFF	LED ON	Description
SOFT STOP	-	-	DO NOT USE
SOFT START	-	-	DO NOT USE
WATER HAMMER	OFF	ON	Water hammer function
POWER CLOSE	OFF	ON	Full power closing for 1 second
ELS / CMD PED	OFF	ON	Electronic lock activation
INACTIVITY LIGHT	OFF	ON	Activation of flashing light when gate inactive
COURTESY LIGHT	OFF	ON	Pre-flash or courtesy light function
LEV	3 FLASHES		Menu selection

CU 24V RT/RAMPART Control Unit 24V Rampart

Wiring diagram

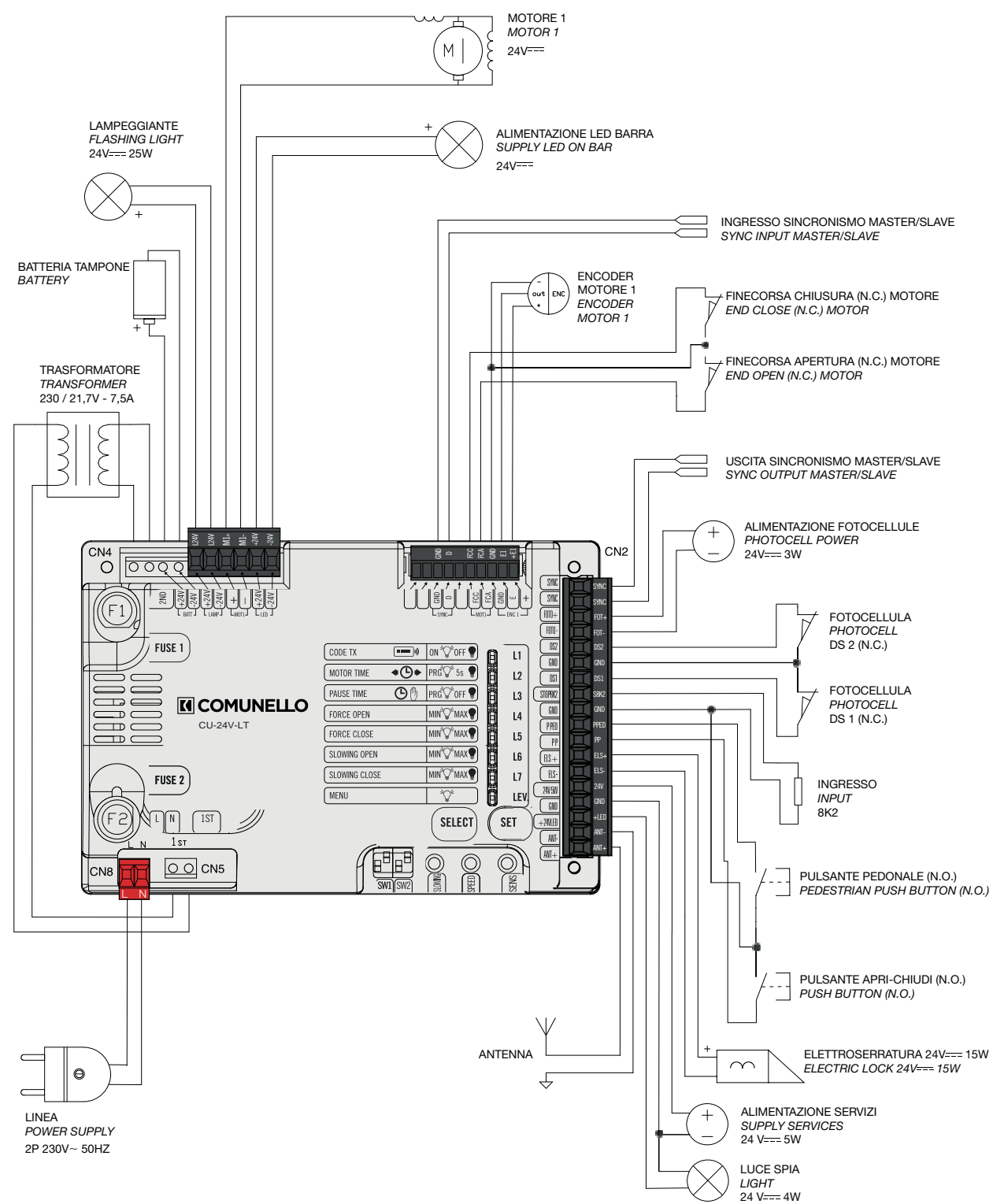


FUNCTIONS

FEATURES AVAILABLE
LEARN MAX. OPENING
LEARN / DELETE A REMOTE CONTROL DEVICE
AUTO CLOSE
AUTO OR STEP-BY-STEP MODE
POWER ADJUSTMENT VIA TRIMMER
SLOW DOWN SPEED ADJUSTMENT VIA TRIMMER
OBSTACLE DETECTION
COURTESY LIGHT

CU 24V LT / LIMIT HP Control Unit 24V Limit

Wiring diagram



FUNCTIONS

MAIN MENU	LED OFF	LED ON	Description
CODE TX	No code	Code entered	Radio control memory function
MOTOR TIME	30 sec.	Selected time	Motor time adjustment function
PAUSE TIME	W/O automatic closing	With automatic closing	Leaf pause time function
POWER DURING OPENING	Max	Med / Min	Adjustment of power output, Maximum, Medium or Minimum, set by the Trimmer
PWER DURING CLOSING	Max	Med / Min	Adjustment of power output, Maximum, Medium or Minimum, set by the Trimmer
SLOW DOWN - OPENING	Max	Med / Min	Adjustment of slowing, Maximum, Medium or Minimum, set by the Trimmer
SLOW DOWN - CLOSING	Max	Med / Min	Adjustment of slowing, Maximum, Medium or Minimum, set by the Trimmer
MENU	ON		Menu selection

Extended Menu 1 is activated by selecting the LEV LED via the SELECT button and pressing the SET button once

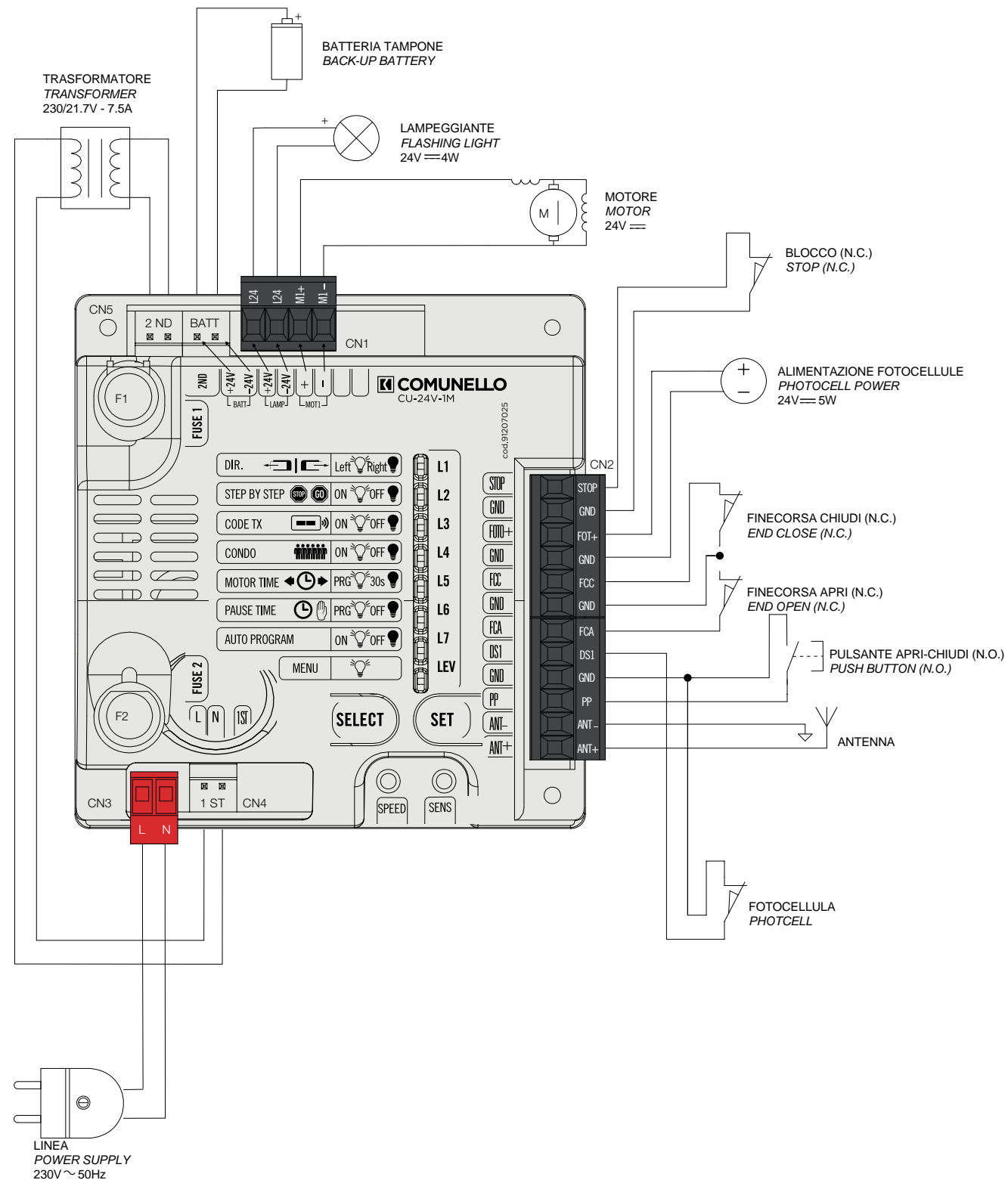
EXTENDED MENU 1	LED OFF	LED ON	Description
AUTOMATIC PROGRAMMING	OFF	ON	Manned function
BUTTON	Open/close button	Close button	Activation of button: open/close or close
PEDESTRIAN BUTTON / DS3	-	-	DO NOT USE
PHOTOTEST	OFF	ON	Phototest
DS2 STP IN CLOSING	-	-	DO NOT USE
DS1 PARTIAL INVERSION	-	-	DO NOT USE
8K2 RELEASE	OFF	ON	8K2 release function
LEV	1 FLASH		Menu selection

Extended Menu 2 is activated by selecting the LEV LED via the SELECT button and pressing the SET button twice

EXTENDED MENU 2	LED OFF	LED ON	Description
ELECTROLOCK / ELECTROBLOCK	ELECTROLOCK	ELECTROBLOCK	Activation of electrolock or electroblock
LAMP	BLINK	FIX	Activation of flashing light
ALWAYS CLOSE	OFF	ON	Always close
FOLLOW ME	OFF	ON	Follow me (reduced opening time once the sensor has been passed)
PRE-FLASH	OFF	ON	Pre-flash function
LED STRIP CONFIGURATION	ACTIVE WITH MOTOR ON	ALWAYS ACTIVE	Activation of LED strip
LED STRIP CONFIGURATION	FLASHING	FIXED	Activation of LED strip
LEV	2 FLASHES		Menu selection

CU 24V 1M / BORDER Control Unit 24V Border

Wiring diagram



FUNCTIONS

MAIN MENU	LED OFF	LED ON	Description
DIR	Opens to the right	Opens to the left	Opening direction
STEP BY STEP	Automatic	Step-by-step	Step-by-step function: open close stop close
CODE TX	No code	Code entered	Radio control memory function
CONDO	OFF	ON	Apartment block function
MOTOR TIME	30 sec.	Selected time	Motor time adjustment function
PAUSE TIME	W/O automatic closing	With automatic closing	Leaf pause time function
AUTOMATIC PROGRAMMING	OFF	ON	Automatic programming function
MENU	ON		Menu selection

Extended Menu 1 is activated by selecting the LEV LED via the SELECT button and pressing the SET button once

EXTENDED MENU 1	LED OFF	LED ON	Description
PHOTOTEST	OFF	ON	Phototest
SLOW DOWN	OFF	ON	Slow down
PGM CODE REMOTE	OFF	ON	Programming remote control
COURTESY LIGHT	OFF	ON	Pre-flash or courtesy light function
LEV	1 FLASH		Menu selection

Extended Menu 2 is activated by selecting the LEV LED via the SELECT button and pressing the SET button twice

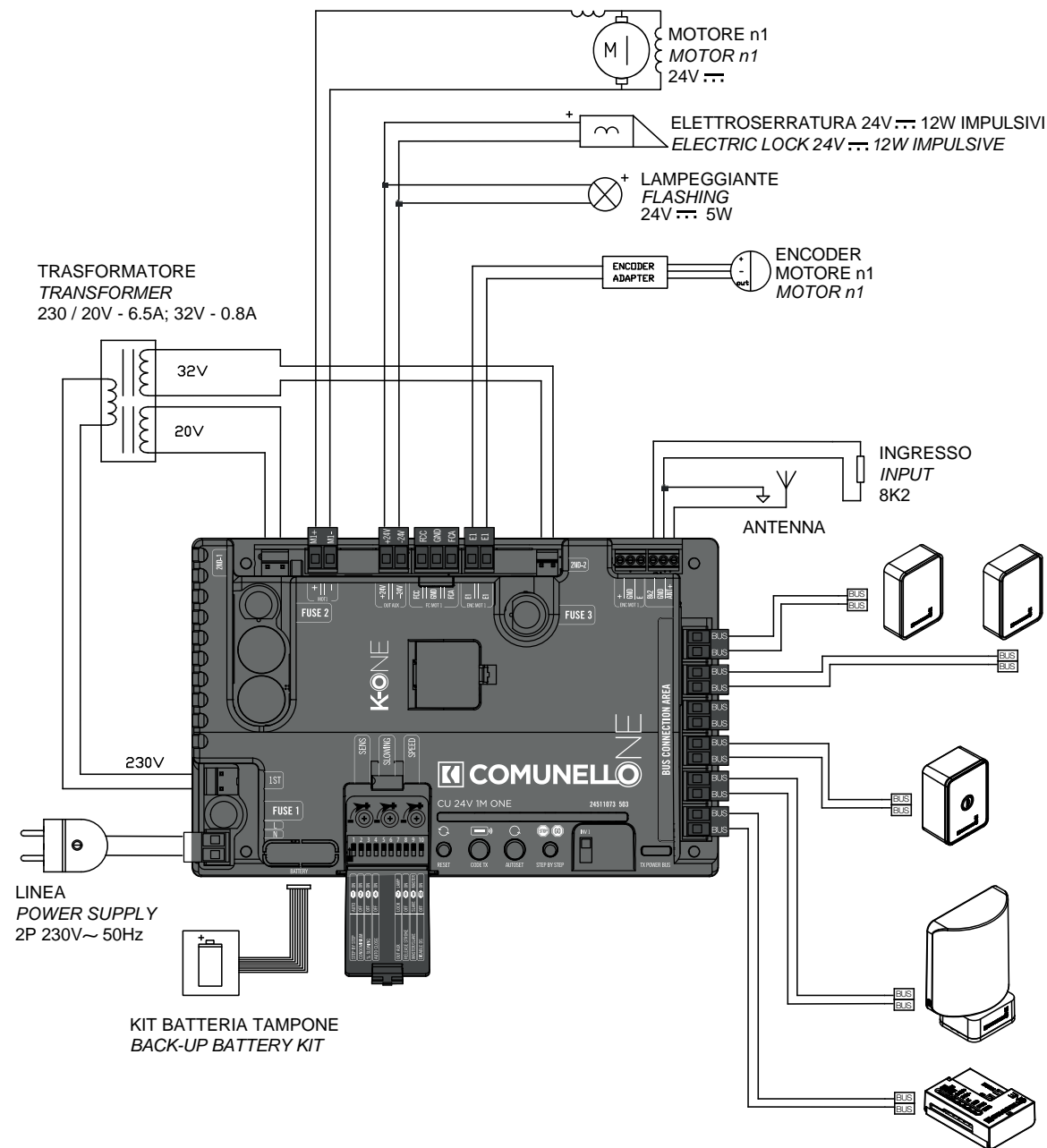
EXTENDED MENU 2	LED OFF	LED ON	Description
DS1 OPENS	OFF	ON	Presence of closure photocell also in opening
MANNED	OFF	ON	Manned function
FOLLOW ME	OFF	ON	Follow me (reduced opening time once the sensor has been passed)
PAUSE LIGHT	OFF	ON	Activation of flashing light when gate paused
ALWAYS CLOSE	OFF	ON	Always close
LEV	2 FLASHES		Menu selection

Extended Menu 3 is activated by selecting the LEV LED via the SELECT button and pressing the SET button three times

EXTENDED MENU 3	LED OFF	LED ON	Description
SLOWING POWER / OPENING POWER	ON		Regulation of power during motor slowing phase
LEV	3 FLASHES		Menu selection

CU 24V ONE 1M Control Unit 24V One

Wiring diagram

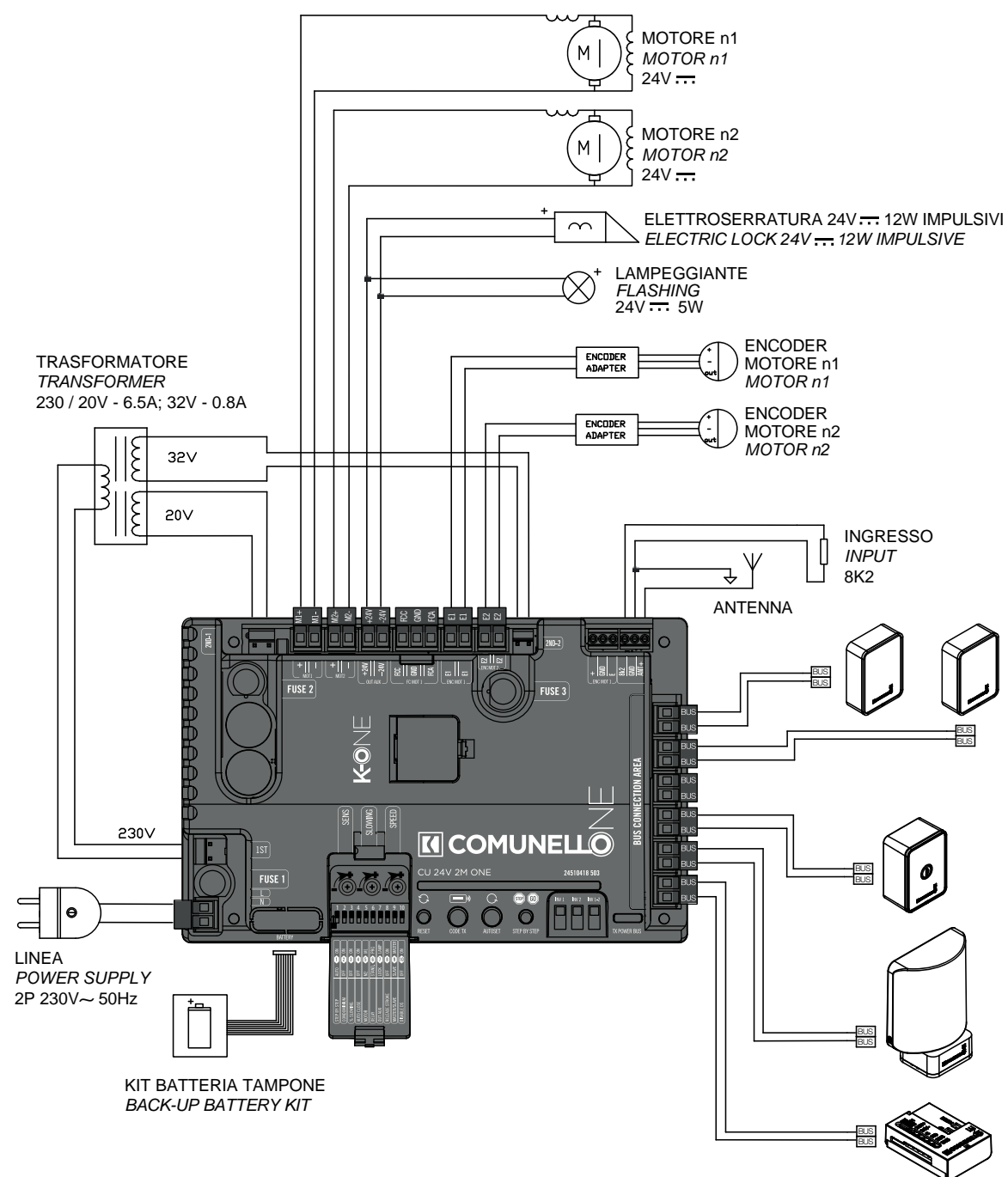


FUNCTIONS

ADDITIONAL ADJUSTMENTS FROM THE APP:	
Guided procedure to check direction of rotation of the operators and change their settings.	
Commands	
Set the pause time (automatic closing)	(0"-.40 min)
Enable Permanent Close.	
Force/Speed	
Adjust maximum operator speed during opening cycle	(10%..100%)
Adjust maximum operator speed during closing cycle	(10%..100%)
Adjust deceleration speed during opening cycle	(10%..100%)
Adjust deceleration speed during closing cycle	(10%..100%)
Start Operator 1 deceleration during opening cycle	(0%..100%)
Start Operator 1 deceleration during closing cycle	(0%..100%)
Adjust pedestrian opening	(10%..100%)
Enable/Disable Operator Brake	
Enable/Disable Soft Stop	
Enable/Disable Soft Start	
Enable/Disable Release Stroke	
Enable/Disable Slam Lock	
Remote controls	
Read saved codes and set function	
Assign a text string for each code	
Delete single code	
Add a new code	
Check the presence of a code	
Photocells	
Enable/Disable Partial Inversion during Closing cycle	
Enable/Disable Partial Inversion during Opening cycle	
Enable/Disable Follow-Me	
Operation test	
Assign a text string for each photocell	
Set the MODE (operation) of each photocell	
Key switches	
Operation test	
Assign a text string for each key switch	
Set the MODE (operation) of each key switch	
Flashing lights	
Enable/Disable Closing Pre-Flash	
Enable/Disable Opening Pre-Flash	
Enable/Disable Fast Flash during Opening cycle	
Enable/Disable Fast Flash during Closing cycle	
Enable/Disable Flash during Pause	
Operation test	
Assign a text string for each key flashing light	
I/O Interface	
Operation test	
Assign a text string for each I/O interface	
Set the MODE (operation) of each I/O interface	
Utility output	
Set Electric lock activation time	(1"-.20")
Diagnostics	
Display the number of Manoeuvres Performed	
Display the number of Operator hours of operation	
Display the number of System Life Hours	
Display the number of Resets	
Display the number of Stops (STOP commands)	
Display the number of Encoder notches	

CU 24V ONE 2M Control Unit 24V One

Wiring diagram



FUNCTIONS

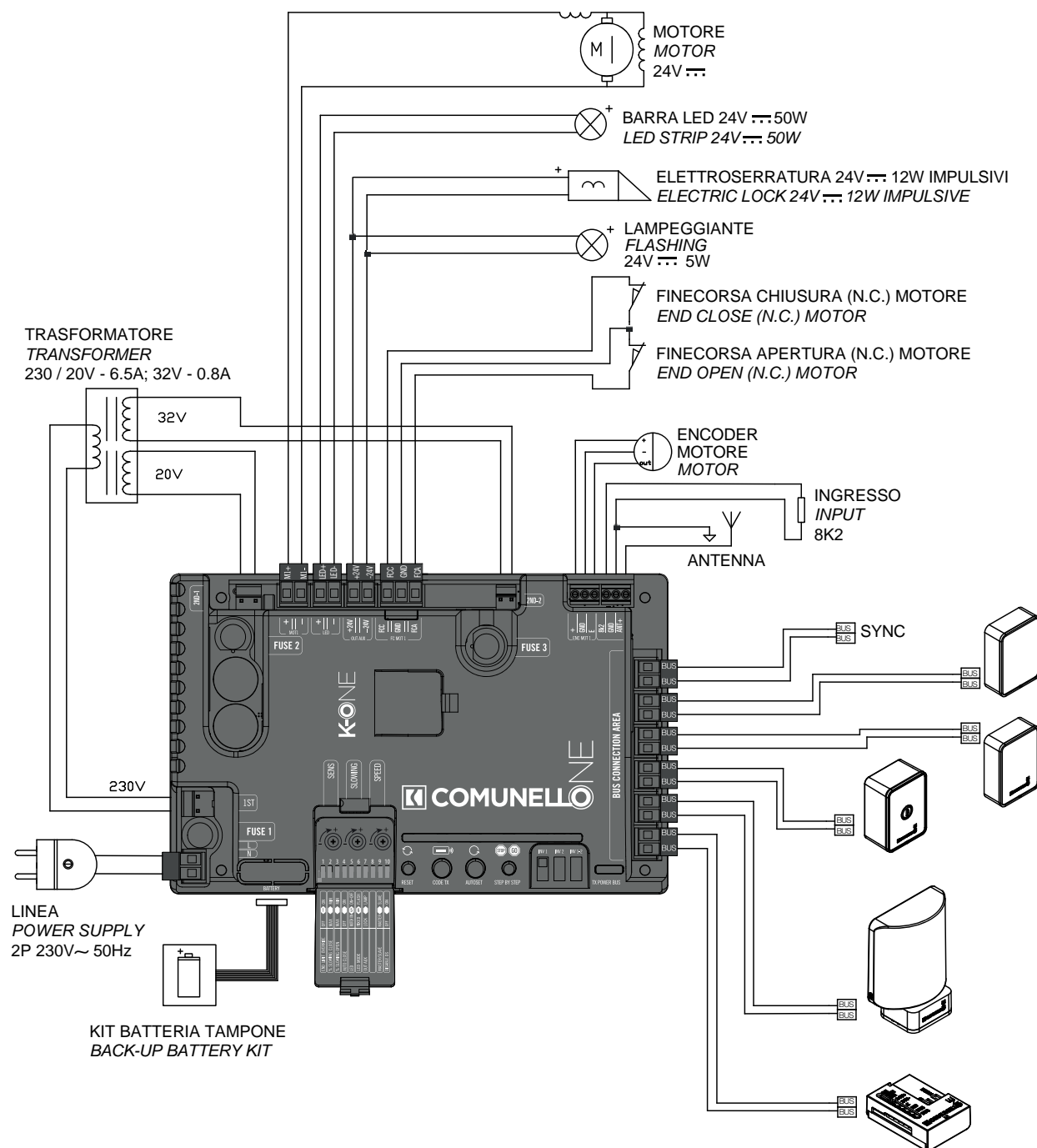
ADDITIONAL ADJUSTMENTS FROM THE APP:	
Guided procedure to check direction of rotation of the operators and change their settings.	
Commands	
Set the pause time (automatic closing)	(0"-.40 min)
Enable Permanent Close.	(0"-.40 min)
Force/Speed	
Adjust maximum operator speed during opening cycle	(10%..100%)
Adjust maximum operator speed during closing cycle	(10%..100%)
Adjust deceleration speed during opening cycle	(10%..100%)
Adjust deceleration speed during closing cycle	(10%..100%)
Start Operator 1 deceleration during opening cycle	(0%..100%)
Start Operator 1 deceleration during closing cycle	(0%..100%)
Start Operator 2 deceleration during opening cycle	(0%..100%)
Start Operator 2 deceleration during closing cycle	(0%..100%)
Adjust pedestrian opening	
Enable/Disable Operator Brake	
Enable/Disable Soft Stop	
Enable/Disable Soft Start	
Enable/Disable Release Stroke	
Enable/Disable Slam Lock	
Remote controls	
Read saved codes and set function	
Assign a text string for each code	
Delete single code	
Add a new code	
Check the presence of a code	
Photocells	
Enable/Disable Partial Inversion during Closing cycle	
Enable/Disable Partial Inversion during Opening cycle	
Enable/Disable Follow-Me	
Operation test	
Assign a text string for each photocell	
Set the MODE (operation) of each photocell	
Key switches	
Operation test	
Assign a text string for each key switch	
Set the MODE (operation) of each key switch	
Flashing lights	
Enable/Disable Closing Pre-Flash	
Enable/Disable Opening Pre-Flash	
Enable/Disable Fast Flash during Opening cycle	
Enable/Disable Fast Flash during Closing cycle	
Enable/Disable Flash during Pause	
Operation test	
Assign a text string for each key flashing light	
Interface I/O	
Operation test	
Assign a text string for each Interface I/O	
Set the MODE (operation) of each Interface I/O	
Utility output	
Set Electric lock activation time	(1"-.20")
Diagnostics	
Display the number of Manoeuvres Performed	
Display the number of Operator Hours of operation	
Display the number of System Life Hours	
Display the number of Resets	
Display the number of Stops (STOP commands)	
Display the number of Encoder notches	

CU 24V ONE LT Control Unit 24V One - Limit

Wiring diagram

MASTER - G1ULTHP2L0G00

SLAVE - G1ULTSL0L0G00


FUNCTIONS

ADDITIONAL ADJUSTMENTS FROM THE APP:	
Guided procedure to check direction of rotation of the operators and change their settings.	
Commands	
Pause Time Setting (Automatic closure)	(0" ..40 min)
Activation of Always Close function.	
Force/Speed	
Adjust maximum operator speed during opening cycle	(10%..100%)
Adjust maximum operator speed during closing cycle	(10%..100%)
Adjust deceleration speed during opening cycle	(10%..100%)
Adjust deceleration speed during closing cycle	(10%..100%)
Start Operator 1 deceleration during opening cycle	(0%..100%)
Start Operator 1 deceleration during closing cycle	(0%..100%)
Adjust pedestrian opening	(10%..100%)
Enable/Disable Operator Brake	(0%..100%)
Enable/Disable Soft Stop	(10%..100%)
Enable/Disable Soft Start	(10%..100%)
LED strip control	
Remote controls	
Read saved codes and set function	
Assign a text string for each code	
Delete single code	
Add a new code	
Check the presence of a code	
Photocells	
Activation/Deactivation of Partial Inversion on Close	
Activation/Deactivation of Partial Inversion on Open	
Activation/Deactivation of Follow-Me	
Operation test	
Assign a text string for each photocell	
Set the MODE (operation) of each photocell	
Key switches	
Operation test	
Assign a text string for each I/O Interface	
Set the MODE (operation) of each I/O Interface	
Flashing lights	
Enable/Disable Pre-Flash on Closing	
Enable/Disable Pre-Flash on Opening	
Enable/Disable Fast Flash on Opening	
Enable/Disable Fast Flash on Closing	
Enable/Disable Flash on Pause	
Operation test	
Assign a text string for each flashing light	
I/O Interface	
Operation test	
Assign a text string for each I/O interface	
Set the MODE (operation) of each I/O interface	
Utility output	
Set Electric lock activation time	(1" ..20")
Diagnostics	
Display the number of Manoeuvres Performed	
Display the number of Operator Hours of operation	
Display the number of System Life Hours	
Display the number of Resets	
Display the number of Stops	
Display the number of Encoder notches	



Inddex

Swing gates

ARTICLE	ARTICLE	CODE	PAG.
ABACUS	ABACUS 220-ONE	G1A220MEL0800	48
ABACUS	ABACUS 300-ONE	G1A300MEL0800	54
ABACUS	ABACUS 500-ONE	G1A500MEL0800	60
ABACUS	ABACUS 220-24V-FE	GAS220EEL0800	50
ABACUS	ABACUS 220-24V-FE-E	GAS220EEL0800	50
ABACUS	ABACUS 220-24V-FM	GAS220MOL0800	50
ABACUS	ABACUS 220-230V-FM	GAS220MOL0800	50
ABACUS	ABACUS 220-230V-FM-E	GAS220MOL0800	50
ABACUS	ABACUS 300-230V-FE	GAS300EEL0800	56
ABACUS	ABACUS 300-24V-FE	GAS300EEL0800	56
ABACUS	ABACUS 300-230V-FM	GAS300MOL0800	56
ABACUS	ABACUS 300-24V-FM	GAS300MOL0800	56
ABACUS	ABACUS 300-230V-FM-E	GAS300MOL0800	56
ABACUS	ABACUS 500-230V-FE	GAS500EEL0800	62
ABACUS	ABACUS 500-24V-FE-E	GAS500EEL0800	62
ABACUS	ABACUS 500-230V-FM-E	GAS500MOL0800	62
ABACUS KIT	KIT ABACUS 220-ONE	GK1A220MEL0800	52
ABACUS KIT	KIT ABACUS 300-ONE	GK1A300MEL0800	58
ABACUS KIT	KIT ABACUS 500-ONE	GK1A500MEL0800	64
ABACUS KIT	KIT ABACUS 220-230V	GKAS220MOL0800	53
ABACUS KIT	KIT ABACUS 220-24V	GKAS220MOL0800	53
ABACUS KIT	KIT ABACUS 300-230V	GKAS300MOL0800	59
ABACUS KIT	KIT ABACUS 300-24V	GKAS300MOL0800	59
ABACUS KIT	KIT ABACUS 500-230V	GKAS500MOL0800	65
ABACUS KIT	KIT ABACUS 500-24V	GKAS500MOL0800	65
CONDOR	CONDOR 220-ONE-24V-SC	G1C220M1L0800	68
CONDOR	CONDOR 220-ONE-24V-FM	G1C220M1L0800	68
CONDOR	CONDOR 350-ONE-24V-SC	G1C350M1L0800	74
CONDOR	CONDOR 350-ONE-24V-FM	G1C350M1L0800	74
CONDOR	CONDOR 500-ONE-24V	G1C500M1L0800	82
CONDOR	CONDOR 220-230V-FE	GCR220EEL0800	70
CONDOR	CONDOR 220-24V-FE	GCR220EEL0800	70
CONDOR	CONDOR 220-230V-FE-E	GCR220EEL0800	70
CONDOR	CONDOR 220-24V-FE-E	GCR220EEL0800	70
CONDOR	CONDOR 220-230V-FM-SC	GCR220MOL0800	70
CONDOR	CONDOR 220-24V-FM-SC	GCR220MOL0800	70
CONDOR	CONDOR 220-230V-FM	GCR220MOL0800	70
CONDOR	CONDOR 220-24V-FM	GCR220MOL0800	70
CONDOR	CONDOR 350-24V-FE-E-SC	GCR350E1L0800	76
CONDOR	CONDOR 350-24V-FE-E	GCR350EEL0800	76
CONDOR	CONDOR 500-230V-FE	GCR500EEL0800	84
CONDOR	CONDOR 500-24V-FE	GCR500EEL0800	84
CONDOR KIT	KIT CONDOR 220-ONE	GK1C220M1L0800	72
CONDOR KIT	KIT CONDOR 350-ONE	GK1C350M1L0800	78
CONDOR KIT	KIT CONDOR 500-ONE	GK1C500M1L0800	86
CONDOR KIT	KIT CONDOR 220-230V	GKCR220MOL0800	73
CONDOR KIT	KIT CONDOR 220-24V	GKCR220MOL0800	73
CONDOR KIT	KIT CONDOR 350-24V	GKCR350EEL0800	79
CONDOR KIT	KIT CONDOR 500-230V	GKCR500EEL0800	87
CONDOR KIT	KIT CONDOR 500-24V	GKCR500EEL0800	87
EAGLE	EAGLE-ONE	G1E0350EEL0800	38
EAGLE	EAGLE-BOX-B	GEE000BNN0800	44
EAGLE	EAGLE-BOX-INOX	GEE000BNN0800	44
EAGLE	EAGLE-230V	GEE0350OH0800	40
EAGLE	EAGLE-24V	GEE0350OH0800	40
EAGLE	EAGLE-230V-FC	GEE0350EH0800	40
EAGLE	EAGLE-24V-FC	GEE0350EH0800	40
EAGLE KIT	KIT EAGLE-ONE	GK1E035ELG000	42
EAGLE KIT	KIT EAGLE-230V	GKEE035OH0800	43
EAGLE KIT	KIT EAGLE-24V	GKEE035OH0800	43
ACCESSORIES	AC-20	GNDXVPMNOG00	199
ACCESSORIES	AC-60	GAS001ASN0800	186
ACCESSORIES	AC-70	GAS002ASN0800	186
ACCESSORIES	AC-80	GAS003ASN0800	186
ACCESSORIES	AC-85	GAS004ASN0800	187
ACCESSORIES	AC-100	GCR001BAN0800	184
ACCESSORIES	AC-101	GCR004BAN0800	184
ACCESSORIES	AC-102	GCR001BAN0800	185
ACCESSORIES	AC-103	GCR002BAN0800	185
ACCESSORIES	AC-104	GCR003BAN0800	185
ACCESSORIES	AC-108	GCR008BAN0800	184
ACCESSORIES	AC-110	GCR001SCNOG00	199
ACCESSORIES	AC-120	GCR002SCNOG00	220
ACCESSORIES	AC-130	GCR009SCNOG00	220
ACCESSORIES	AC-150	GEE001SBN0800	188
ACCESSORIES	AC-160	GEE002SBN0800	188
ACCESSORIES	AC-170	GEE003SBN0800	188
ACCESSORIES	AC-180	GEE360ASN0800	189
ACCESSORIES	AC-185	GEE360ASN0800	189
ACCESSORIES	AC-190	GEE001FBN0800	220

Sliding gates

ARTICLE	ARTICLE	CODE	PAG.
FORT	FORT 400-24V-ONE	G1F040MEL0800	102
FORT	FORT 600-24V-ONE	G1F060MEL0800	110
FORT	FORT 1000-24V-MG-ONE	G1F100GEL0800	110
FORT	FORT 1000-24V-ONE	G1F100MEL0800	110
FORT	FORT 400-24V	GFT040MCL0800	104
FORT	FORT 500-230V	GFT050MCH0800	104
FORT	FORT 600-24V	GFT060MCL0800	112
FORT	FORT 700-230V	GFT070MCH0800	112
FORT	FORT 1000-230V-MG-SC	GFT100GCH0800	112
FORT	FORT 1000-230V-MG	GFT100GCH0800	112
FORT	FORT 1000-24V-MG	GFT100GCL0800	112
FORT	FORT 1000-230V	GFT100MCL0800	112
FORT	FORT 1000-24V	GFT100MCL0800	112
FORT	FORT 1500-230V-MG	GFT150GCH0800	112
FORT	FORT 3500-380V-MG	GFT350G3080800	122
FORT	FORT 3500-230V-MG	GFT350G3080800	122
FORT KIT	KIT FORT 400-24V-ONE	GK1F040MEL0800	106
FORT KIT	KIT FORT 600-24V-ONE	GK1F060MEL0800	114
FORT KIT	KIT FORT 1000-24V-MG-ONE	GK1F100GEL0800	114
FORT KIT	KIT FORT 1000-ONE-24V-B	GK1F100MEL0800	114
FORT KIT	KIT FORT 400-24V	GKFT040MCL0800	107
FORT KIT	KIT FORT 500-230V	GKFT050MCH0800	107
FORT KIT	KIT FORT 600-24V	GKFT060MCL0800	115
FORT KIT	KIT FORT 700-230V	GKFT070MCH0800	115
FORT KIT	KIT FORT 1000-230V-DUAL	GKFT100DHL0800	118
FORT KIT	KIT FORT 1000-230V	GKFT100MHL0800	115
FORT KIT	KIT FORT 1000-24V-B	GKFT100MEL0800	115
ACCESSORIES	AC-200	GFT001FBN0800	220
ACCESSORIES	AC-205	GFT002FBN0800	221
ACCESSORIES	AC-210	GFT001CPNOG00	191
ACCESSORIES	AC-220	GFT001AANOG00	190
ACCESSORIES	AC-230	GROD2M10N0800	190
ACCESSORIES	AC-250	GROD4M10N0800	191

Garage doors

ARTICLE	ARTICLE	CODE	PAG.
RAMPART	RAMPART 600-24V	GRT0600EOL0800	130
RAMPART	RAMPART 600-24V	GRT0600EOL0800	130
RAMPART	RAMPART 1000-24V	GRT1000EOL0800	130
RAMPART	RAMPART 1000-24V	GRT1000EOL0800	130
RAMPART KIT	KIT RAMPART 600	GKRT060BLW000	132
RAMPART KIT	KIT RAMPART 600	GKRT060CLW000	132
RAMPART KIT	KIT RAMPART 1000	GKRT100BLW000	133
RAMPART KIT	KIT RAMPART 1000	GKRT100CLW000	133
SALIENT	SALIENT-230V-SC	GST0F0E0H0800	136
SALIENT	SALIENT-24V-SC	GST0F0E0L0800	136
SALIENT	SALIENT-230V	GST0F0E0H0800	136
SALIENT	SALIENT-24V	GST0F0E0L0800	136
SALIENT	SALIENT-SLOW-230V-SC	GST0S0E0H0800	136
SALIENT	SALIENT-SLOW-230V	GST0S0E0H0800	136
SALIENT	SALIENT-230V-SC	GST0F0E0H0800	136
SALIENT	SALIENT-24V-SC	GST0F0E0L0800	136
SALIENT	SALIENT-230V	GST0F0E0H0800	136
SALIENT	SALIENT-24V	GST0F0E0L0800	136
SALIENT	SALIENT-SLOW-230V-SC	GST0S0E0H0800	136
SALIENT	SALIENT-SLOW-230V	GST0S0E0H0800	136
ACCESSORIES	AC-300	GST006ASN0800	197
ACCESSORIES	AC-305	GST007ASN0800	197
ACCESSORIES	AC-307	GST008ASN0800	197
ACCESSORIES	AC-310	GST001ASN0800	194
ACCESSORIES	AC-311	GST001SQNOG00	195
ACCESSORIES	AC-320	GST002ASN0800	195
ACCESSORIES	AC-321	GST002SQNOG00	196
ACCESSORIES	AC-330	GST003ASN0800	196
ACCESSORIES	AC-340	GST004ASN0800	196
ACCESSORIES	AC-350	GST005ASN0800	197
ACCESSORIES	AC-351	GST005SQNOG00	197
ACCESSORIES	AC-360	GST001AANOG00	194
ACCESSORIES	AC-361	GST001AANOG00	194
ACCESSORIES	AC-370	GST002AANOG00	194
ACCESSORIES	AC-371	GST002AANOG00	194
ACCESSORIES	AC-375	GST003AANOG00	194
ACCESSORIES	AC-376	GST003AANOG00	194
ACCESSORIES	AC-380	GST001SQNOG00	221
ACCESSORIES	AC-400	GRT3250G0800	192
ACCESSORIES	AC-410	GRT3250G0800	192
ACCESSORIES	AC-420	GRT3250G0800	192
ACCESSORIES	AC-430	GRT4000G0800	192
ACCESSORIES	AC-440	GRTCORDNOG00	192
ACCESSORIES	AC-450	GRT001AANOG00	193
ACCESSORIES	AC-470	GRT001AANOG00	193

Barrier gates

ARTICLE	ARTICLE	CODE	PAG.
BORDER	BORDER 400-24V	GBR040EOL0A00	146
BORDER	BORDER 600-24V	GBR060EOL0A00	150
LIMIT	LIMIT 500-ONE	G1L050EEL0800	154
LIMIT	LIMIT 500-ONE-SLAVE	G1L050EEL0800	156
LIMIT	LIMIT 600-ONE	G1L060EEL0800	164
LIMIT	LIMIT 600-ONE-SLAVE	G1L060EEL0800	166
LIMIT	LIMIT 800-ONE	G1L080EEL0800	174
LIMIT	LIMIT 800-ONE-SLAVE	G1L080EEL0800	176
LIMIT	LIMIT 500-24V	GLT050EEL0800	158
LIMIT	LIMIT 500-24V	GLT050EEL0800	158
LIMIT	LIMIT 500-24V-INOX	GLT050EEL0800	158
LIMIT	LIMIT 600-24V	GLT060EEL0800	168
LIMIT	LIMIT 600-24V	GLT060EEL0800	168
LIMIT	LIMIT 600-24V-INOX	GLT060EEL0800	168
LIMIT	LIMIT 800-24V	GLT080EEL0800	178
LIMIT	LIMIT 800-24V	GLT080EEL0800	178
LIMIT	LIMIT 800-24V-INOX	GLT080EEL0800	178
ACCESSORIES	AC-500	GLTANCHOR0800	198
ACCESSORIES	AC-510	GLTANCHOR0800	198
ACCESSORIES	AC-530	GLTSPRINGMG00	198
ACCESSORIES	AC-540	GLTSPRINGMG00	199
ACCESSORIES	AC-545	GBRSPRINGH0800	199
ACCESSORIES	AC-550	GLTSPRINGMG00	199
ACCESSORIES	AC-560	GLTFR00000800	200
ACCESSORIES	AC-570	GLTSUPPORTG00	200
ACCESSORIES	AC-580	GLTANG9000G00	200
ACCESSORIES	AC-590	GLTHEDGE02W00	242
ACCESSORIES	AC-620	GBRSTRSRV0800	201
ACCESSORIES	AC-630	GLTBAR3000W00	201
ACCESSORIES	AC-631	GBRBAR3000W00	202
ACCESSORIES	AC-640	GLTBAR4000W00	201
ACCESSORIES	AC-641	GBRBAR4000W00	202
ACCESSORIES	AC-650	GLTBAR5000W00	201
ACCESSORIES	AC-655	GLTBAR6000W00	201
ACCESSORIES	AC-660	GLTSTRIP00W00	242
ACCESSORIES	AC-670	GLTTOPP300R00	202
ACCESSORIES	AC-671	GBRTOPP300R00	202
ACCESSORIES	AC-680	GLTTOFF400R00	202
ACCESSORIES	AC-681	GBRTOFF400R00	202
ACCESSORIES	AC-690	GLTTOFF500R00	202
ACCESSORIES	AC-691	GBRTOFF500R00	202
ACCESSORIES	AC-695	GLTTOFF600R00	202
ACCESSORIES	AC-696	GBRTOFF600R00	202
ACCESSORIES	AC-700	GLTSTOPPERW00	203
ACCESSORIES	AC-705	GBRPLUG300W00	203
ACCESSORIES	AC-710	GLTPLUG010W00	203
ACCESSORIES	AC-715	GLTPLUG020W00	204
ACCESSORIES	AC-717	GBRPLUG010W00	204
ACCESSORIES	AC-718	GBRPLUG020W00	204
ACCESSORIES	AC-719	GLTPLUG040W00	204
ACCESSORIES	AC-731	GLTBAR3000W00	204
ACCESSORIES	AC-741	GLTBAR4000W00	204
ACCESSORIES	AC-751	GLTBAR5000W00	204
ACCESSORIES	AC-765	GLTJOINTG000	204
ACCESSORIES	AC-770	GLTSMFTNOG00	242
ACCESSORIES	AC-778	GLTLED80T0W00	203
ACCESSORIES	AC-800	GLTLED5000W00	203

Control units

ARTICLE	ARTICLE	CODE	PAG.
CJ	CJ-230V-1M	GCJ00BS1H0G00	213
CJ	CJ-230V-2M	GCJ00BS2H0G00	213
CJ	CJ-230V-FT35	GCJFTHP2H0G00	213
CJ	CJ-230V-HP	GCJ00HP2H0G00	213
CJ	CJ-24V-1M	GCJ00BS1L0G00	213
CJ	CJ-24V-1M-ONE	G1U00HP1L0G00	213
CJ	CJ-24V-2M	GCJ00BS2L0G00	213
CJ	CJ-24V-2M-ONE	G1U00HP2L0G00	213
CJ	CJ-24V-BR	G1U00HP1L0G00	213
CJ	CJ-24V-HP	GCJ00HP2L0G00	213
CJ	CJ-24V-LT	G1U00HP2L0G00	213
CJ	CJ-24V-LT-ONE	G1U00HP2L0G00	213
CJ	CJ-24V-RT	GCURTHP2L0G00	213
CJ	QUAD-230V-1M	GCJADST1H0G00	212
CJ	QUAD-230V-2M	GCJADST2H0G00	212
CJ	QUAD-230V-HP	GCJADHP2H0G00	212
CJ	QUAD-24V-1M	GCJADST1L0G00	212
CJ	QUAD-24V-1M-ONE	G1U00HP1L0G00	212
CJ	QUAD-24V-2M	GCJADST2L0G00	212
CJ	QUAD-24V-2M-ONE	G1U00HP2L0G00	212
CJ	QUAD-24V-HP	GCJADHP2L0G00	212

Accessories

ARTICLE	ARTICLE	CODE	PAG.
ACCESSORIES	AC-10	GNDXVPMNOG00	219
ACCESSORIES	AC-30	GANTENANNOG00	184
ACCESSORIES	AC-240	GNDUCTONNOG00	221
ACCESSORIES	AC-850	GPD04M08NOG00	206
ACCESSORIES	AC-860	GPD04S08NOG00	206
ACCESSORIES	AC-870	GMAST08SNOB00	206
ACCESSORIES	AC-875	GMAST08SNOB00	206
ACCESSORIES	DART	GDARTSTNOB00	245
ACCESSORIES	DART-ADJ	GDARTAD	

Code index

CODE	ARTICLE	ARTICLE	PAG
G1A220MEL0B00	ABACUS	ABACUS 220-ONE	48
G1A300MEL0B00	ABACUS	ABACUS 300-ONE	54
G1A500MEL0B00	ABACUS	ABACUS 500-ONE	60
G1C220M1L0B00	CONDOR	CONDOR 220-ONE-24V-SC	68
G1C220MEL0B00	CONDOR	CONDOR 220-ONE-24V-FM	68
G1C350M1L0B00	CONDOR	CONDOR 350-ONE-24V-SC	74
G1C350MEL0B00	CONDOR	CONDOR 350-ONE-24V-FM	74
G1C500M1L0B00	CONDOR	CONDOR 500-ONE-24V	82
G1DARTADN0B00	ACCESSORIES	DART-ADJ-ONE	247
G1DARTSLN0B00	ACCESSORIES	DART-SLIM-ONE	246
G1DARTSTN0B00	ACCESSORIES	DART-ONE	245
G1E0350ELOG00	EAGLE	EAGLE-ONE	38
G1F040MEL0B00	FORT	FORT 400-24V-ONE	102
G1F060MEL0B00	FORT	FORT 600-24V-ONE	110
G1F100GELOB00	FORT	FORT 1000-24V-MG-ONE	110
G1F100MEL0B00	FORT	FORT 1000-24V-ONE	110
G1INDEXST0B00	ACCESSORIES	INDEX-ONE	226
G1INTERFLOB00	ACCESSORIES	SCHEDA I/O ONE	210
G1KEYWIFLOG00	ACCESSORIES	K-ONE	224
G1L050EELOR00	LIMIT	LIMIT 500-ONE	154
G1L05SEELOR00	LIMIT	LIMIT 500-ONE-SLAVE	156
G1L060EELOR00	LIMIT	LIMIT 600-ONE	164
G1L06SEELOR00	LIMIT	LIMIT 600-ONE-SLAVE	166
G1L080EELOR00	LIMIT	LIMIT 800-ONE	174
G1L08SEELOR00	LIMIT	LIMIT 800-ONE-SLAVE	176
G1QUAD1MLOG00	CJ	QUAD-24V-1M-ONE	212
G1QUAD2MLOG00	CJ	QUAD-24V-2M-ONE	212
G1SWIFTSTYB00	ACCESSORIES	SWIFT-ONE-W	250
G1SWIFTSTYB00	ACCESSORIES	SWIFT-ONE-Y	250
G1U00HP1L0G00	CJ	CJ-24V-1M-ONE	213
G1U00HP2L0G00	CJ	CJ-24V-2M-ONE	213
G1LULHP2L0G00	CJ	CJ-24V-LT-ONE	213
GANTENNAN0G00	ACCESSORIES	AC-30	184
GAS001ASN0G00	ACCESSORIES	AC-60	186
GAS002ASN0G00	ACCESSORIES	AC-70	186
GAS003ASN0G00	ACCESSORIES	AC-80	186
GAS004ASN0G00	ACCESSORIES	AC-85	187
GAS220EOL0B00	ABACUS	ABACUS 220-24V-FE	50
GAS220EEL0B00	ABACUS	ABACUS 220-24V-FE+E	50
GAS220MCH0B00	ABACUS	ABACUS 220-230V-FM	50
GAS220MCL0B00	ABACUS	ABACUS 220-24V-FM	50
GAS220MEH0B00	ABACUS	ABACUS 220-230V-FM+E	50
GAS300EH0B00	ABACUS	ABACUS 300-230V-FE	56
GAS300EOL0B00	ABACUS	ABACUS 300-24V-FE	56
GAS300MCH0B00	ABACUS	ABACUS 300-230V-FM	56
GAS300MCL0B00	ABACUS	ABACUS 300-24V-FM	56
GAS300MEH0B00	ABACUS	ABACUS 300-230V-FM+E	56
GAS500EH0B00	ABACUS	ABACUS 500-230V-FE	62
GAS500EEL0B00	ABACUS	ABACUS 500-24V-FE+E	62
GAS500MEH0B00	ABACUS	ABACUS 500-230V-FM+E	62
GBR040EOL0A00	BORDER	BORDER 400-24V	146
GBR060EOL0A00	BORDER	BORDER 600-24V	150
GBRBAR4000W00	ACCESSORIES	AC-631	202
GBRBAR4000W00	ACCESSORIES	AC-641	202
GBRPLUG010W00	ACCESSORIES	AC-717	204
GBRPLUG020W00	ACCESSORIES	AC-718	204
GBRPLUG030W00	ACCESSORIES	AC-705	203
GBRSPRINGH000	ACCESSORIES	AC-545	199
GBRSTRSVF0G00	ACCESSORIES	AC-620	201
GBRTOPP300R00	ACCESSORIES	AC-671	202
GBRTOPP400R00	ACCESSORIES	AC-681	202
GBRTOPP500R00	ACCESSORIES	AC-691	202
GBRTOPP600R00	ACCESSORIES	AC-696	202
GCOR025N0B00	ACCESSORIES	AC-120	220
GCOR090N0B00	ACCESSORIES	AC-130	220
GCRO01BAN0B00	ACCESSORIES	AC-102	185
GCRO01BAN0G00	ACCESSORIES	AC-100	184
GCRO01SCN0G00	ACCESSORIES	AC-110	199
GCRO02BAN0B00	ACCESSORIES	AC-103	185
GCRO03BAN0B00	ACCESSORIES	AC-104	185
GCRO04BAN0G00	ACCESSORIES	AC-101	184
GCRO08BAN0B00	ACCESSORIES	AC-108	184
GCR220ECH0B00	CONDOR	CONDOR 220-230V-FE	70
GCR220ECL0B00	CONDOR	CONDOR 220-24V-FE	70
GCR220EEH0B00	CONDOR	CONDOR 220-230V-FE+E	70

CODE	ARTICLE	ARTICLE	PAG
GCR220EEL0B00	CONDOR	CONDOR 220-24V-FE+E	70
GCR220MCH0B00	CONDOR	CONDOR 220-230V-FM-SC	70
GCR220MCL0B00	CONDOR	CONDOR 220-24V-FM-SC	70
GCR220MCH0B00	CONDOR	CONDOR 220-230V-FM	70
GCR220MCL0B00	CONDOR	CONDOR 220-24V-FM	70
GCR350E1L0B00	CONDOR	CONDOR 350-24V-FE+E-SC	76
GCR350EEL0B00	CONDOR	CONDOR 350-24V-FE+E	76
GCR500E0H0B00	CONDOR	CONDOR 500-230V-FE	84
GCR500EOL0B00	CONDOR	CONDOR 500-24V-FE	84
GCU00BS1H0G00	CJ	CJ-230V-1M	213
GCU00BS1L0G00	CJ	CJ-24V-1M	213
GCU00BS2H0G00	CJ	CJ-230V-2M	213
GCU00BS2L0G00	CJ	CJ-24V-2M	213
GCU00HP2H0G00	CJ	CJ-230V-HP	213
GCU00HP2L0G00	CJ	CJ-24V-HP	213
GCLUBRBS1L0G00	CJ	CJ-24V-BR	213
GCUFTHP2H0G00	CJ	CJ-230V-FT35	213
GCLULHP2L0G00	CJ	CJ-24V-LT	213
GCURTHP2L0G00	CJ	CJ-24V-RT	213
GDARTADJNB000	ACCESSORIES	DART-ADJ	247
GDARTBTNB000	ACCESSORIES	DART-BAT	248
GDARTSLMNB000	ACCESSORIES	DART-SLIM	246
GDARTSTDNB000	ACCESSORIES	DART	245
GEE000BXNB000	EAGLE	EAGLE-BOX-B	44
GEE000BXNIS00	EAGLE	EAGLE-BOX-INOX	44
GEE001FNB000	ACCESSORIES	AC-190	220
GEE001SBN0G00	ACCESSORIES	AC-150	188
GEE002SBN0G00	ACCESSORIES	AC-160	188
GEE003SBN0G00	ACCESSORIES	AC-170	188
GEE03500H0G00	EAGLE	EAGLE-230V	40
GEE03500L0G00	EAGLE	EAGLE-24V	40
GEE0350EH0G00	EAGLE	EAGLE-230V-EC	40
GEE0350EOL0G00	EAGLE	EAGLE-24V-EC	40
GEE360ASN0G00	ACCESSORIES	AC-180	189
GEE360ASN0G01	ACCESSORIES	AC-185	189
GFT001AAN0G00	ACCESSORIES	AC-220	190
GFT001CRN0G00	ACCESSORIES	AC-210	191
GFT001FNB0G00	ACCESSORIES	AC-200	220
GFT002FIN0G00	ACCESSORIES	AC-205	221
GFT040MCL0B00	FORT	FORT 400-24V	104
GFT050MCH0B00	FORT	FORT 500-230V	104
GFT060MCL0B00	FORT	FORT 600-24V	112
GFT070MCH0B00	FORT	FORT 700-230V	112
GFT100G0H0B00	FORT	FORT 1000-230V-MG-SC	112
GFT100GCH0B00	FORT	FORT 1000-230V-MG	112
GFT100GCL0B00	FORT	FORT 1000-24V-MG	112
GFT100MCH0B00	FORT	FORT 1000-230V	112
GFT100MCL0B00	FORT	FORT 1000-24V	112
GFT150GCH0B00	FORT	FORT 1500-230V-MG	112
GFT350GCG0B00	FORT	FORT 3500-380V-MG	122
GFT350GCH0B00	FORT	FORT 3500-230V-MG	122
GINDEXEUN0B00	ACCESSORIES	INDEX-EU	226
GINDEXORM0G00	ACCESSORIES	AC-10	219
GINDEXSTN0B00	ACCESSORIES	INDEX	226
GINDEXVRM0G00	ACCESSORIES	AC-20	199
GINDUCTON0G00	ACCESSORIES	AC-240	221
GK1A220MLB000	ABACUS KIT	KIT ABACUS 220-ONE	52
GK1A300MLB000	ABACUS KIT	KIT ABACUS 300-ONE	58
GK1A500MLB000	ABACUS KIT	KIT ABACUS 500-ONE	64
GK1C220MLB000	CONDOR KIT	KIT CONDOR 220-ONE	72
GK1C350MLB000	CONDOR KIT	KIT CONDOR 350-ONE	78
GK1C500MLB000	CONDOR KIT	KIT CONDOR 500-ONE	86
GK1E035ELG000	EAGLE KIT	KIT EAGLE-ONE	42
GK1F040MLB000	FORT KIT	KIT FORT 400-24V-ONE	106
GK1F060MLB000	FORT KIT	KIT FORT 600-24V-ONE	114
GK1F100GLB000	FORT KIT	KIT FORT 1000-24V-MG-ONE114	114
GK1F100MLB000	FORT KIT	KIT FORT 1000-ONE-24V-B	114
GKAS220MHB000	ABACUS KIT	KIT ABACUS 220-230V	53
GKAS220MLB000	ABACUS KIT	KIT ABACUS 220-24V	53
GKAS300MHB000	ABACUS KIT	KIT ABACUS 300-230V	59
GKAS300MLB000	ABACUS KIT	KIT ABACUS 300-24V	59
GKAS500ELB000	ABACUS KIT	KIT ABACUS 500-24V	65
GKAS500MHB000	ABACUS KIT	KIT ABACUS 500-230V	65
GKCR220MHB000	CONDOR KIT	KIT CONDOR 220-230V	73
GKCR220MLB000	CONDOR KIT	KIT CONDOR 220-24V	73

CODE	ARTICLE	ARTICLE	PAG
GKCR350ELB000	CONDOR KIT	KIT CONDOR 350-24V	79
GKCR500ELB000	CONDOR KIT	KIT CONDOR 500-230V	87
GKCR500ELB000	CONDOR KIT	KIT CONDOR 500-24V	87
GKEE0350H6000	EAGLE KIT	KIT EAGLE-230V	43
GKEE0350L6000	EAGLE KIT	KIT EAGLE-24V	43
GKEEP2STN0B00	ACCESSORIES	KEEP-2RC-B	242
GKEEP2STN0W00	ACCESSORIES	KEEP-2RC-W	242
GKEEP2SYNB00	ACCESSORIES	KEEP-2SY-B	242
GKEEP2SYNW00	ACCESSORIES	KEEP-2SY-W	242
GKEEP4STN0B00	ACCESSORIES	KEEP-4RC-B	242
GKEEP4STN0W00	ACCESSORIES	KEEP-4RC-W	242
GKEEP4SYNB00	ACCESSORIES	KEEP-4SY-B	242
GKEEP4SYNW00	ACCESSORIES	KEEP-4SY-W	242
GKFT040MLB000	FORT KIT	KIT FORT 400-24V	107
GKFT050MHB000	FORT KIT	KIT FORT 500-230V	107
GKFT060MLB000	FORT KIT	KIT FORT 600-24V	115
GKFT070MHB000	FORT KIT	KIT FORT 700-230V	115
GKFT100DH0B000	FORT KIT	KIT FORT 1000-230V-DUAL	118
GKFT100MHB000	FORT KIT	KIT FORT 1000-230V	115
GKFT100MLB000	FORT KIT	KIT FORT 1000-24V-B	115
GKRTO60BLW000	RAMPART KIT	KIT RAMPART 600	132
GKRTO60CLW000	RAMPART KIT	KIT RAMPART 600	132
GKRTO60BLW000	RAMPART KIT	KIT RAMPART 1000	133
GKRTO60CLW000	RAMPART KIT	KIT RAMPART 1000	133
GLT050EEL0B00	LIMIT	LIMIT 500-24V	158
GLT050EEL0R00	LIMIT	LIMIT 500-24V	158
GLT050EELIS00	LIMIT	LIMIT 500-24V-INOX	158
GLT060EEL0B00	LIMIT	LIMIT 600-24V	168
GLT060EEL0R00	LIMIT	LIMIT 600-24V	168
GLT060EELIS00	LIMIT	LIMIT 600-24V-INOX	168
GLT080EEL0B00	LIMIT	LIMIT 800-24V	178
GLT080EEL0R00	LIMIT	LIMIT 800-24V	178
GLT080EELIS00	LIMIT	LIMIT 800-24V-INOX	178
GLTANCH0B0G00	ACCESSORIES	AC-510	198
GLTANCH0R0G00	ACCESSORIES	AC-500	198
GLTANG9000G00	ACCESSORIES	AC-580	200
GLTBAR3000W00	ACCESSORIES	AC-630	201
GLTBAR30T0W00	ACCESSORIES	AC-731	204
GLTBAR4000W00	ACCESSORIES	AC-640	201
GLTBAR40T0W00	ACCESSORIES	AC-741	204
GLTBAR5000W00	ACCESSORIES	AC-650	201
GLTBAR50T0W00	ACCESSORIES	AC-751	204
GLTBAR6000W00	ACCESSORIES	AC-665	201
GLTFX0000G000	ACCESSORIES	AC-560	200
GLTHEDGE02W00	ACCESSORIES	AC-590	204
GLTJOINT0G00	ACCESSORIES	AC-765	242
GLTLED5000W00	ACCESSORIES	AC-800	203
GLTLED80T0W00	ACCESSORIES	AC-778	203
GLTPLUG010W00	ACCESSORIES	AC-710	203
GLTPLUG020W00	ACCESSORIES	AC-715	204
GLTPLUG040W00	ACCESSORIES	AC-719	204
GLTSPRINGH000	ACCESSORIES	AC-540	199
GLTSPRINGM000	ACCESSORIES	AC-530	198
GLTSPRINGT000	ACCESSORIES	AC-550	199
GLTSTOPPERW00	ACCESSORIES	AC-700	203
GLTSTRIP00W00	ACCESSORIES	AC-660	242
GLTSUPPORT000	ACCESSORIES	AC-570	200
GLTSWIFTN0G00	ACCESSORIES	AC-770	242
GLTTPP300R00	ACCESSORIES	AC-670	202
GLTTPP400R00	ACCESSORIES	AC-680	202
GLTTPP500R00	ACCESSORIES	AC-690	202
GLTTPP600R00	ACCESSORIES	AC-695	202
GMAST005N0G00	ACCESSORIES	MAST-50	230
GMAST010N0G00	ACCESSORIES	MAST-100	232
GMAST0BSN0B00	ACCESSORIES	AC-870	206
GMAST05N0G00	ACCESSORIES	MAST-S-50	230
GMASTS10N0G00	ACCESSORIES	MAST-S-100	230
GMASTSBSN0B00	ACCESSORIES	AC-875	206
GMASTT10N0G00	ACCESSORIES	MAST-T-100	232
GQUADHP2H0G00	CJ	QUAD-230V-HP	212
GQUADHP2L0G00	CJ	QUAD-24V-HP	212
GQUADST1H0G00	CJ	QUAD-230V-1M	212
GQUADST1L0G00	CJ	QUAD-24V-1M	212
GQUADST2H0G00	CJ	QUAD-230V-2M	212
GQUADST2L0G00	CJ	QUAD-24V-2M	212

CODE	ARTICLE	ARTICLE	PAG
GRESIVE8N0G00	ACCESSORIES	RECEIVER-868	249
GRESIVERNOG00	ACCESSORIES	RECEIVER	248
GROD2M10N0G00	ACCESSORIES	AC-230	190
GROD4M08N0G00	ACCESSORIES	AC-850	206
GROD4M10N0G00	ACCESSORIES	AC-250	191
GROD4S08N0G00	ACCESSORIES	AC-860	206
GRT001AAN0G00	ACCESSORIES	AC-470	193
GRT001ASN0G00	ACCESSORIES	AC-450	193
GRT0600E0B000	RAMPART	RAMPART 600-24V	130
GRT0600E0L0W00	RAMPART	RAMPART 600-24V	130
GRT1000E0L0B00	RAMPART	RAMPART 1000-24V	130
GRT1000E0L0W00	RAMPART	RAMPART 1000-24V	130
GRT3250G0B0G00	ACCESSORIES	AC-410	192
GRT3250G0D0G00	ACCESSORIES	AC-400	192
GRT3250G0D0G00	ACCESSORIES	AC-420	192
GRT4000G0B0G00	ACCESSORIES	AC-430	192
GRT0600E0L0W00	RAMPART	RAMPART 600-24V	130
GRT0600E0L0W00	RAMPART	RAMPART 600-24V	130
GRT1000E0L0B00	RAMPART	RAMPART 1000-24V	130
GRT1000E0L0W00	RAMPART	RAMPART 1000-24V	130
GRT3250G0B0G00	ACCESSORIES	AC-410	192
GRT3250G0D0G00	ACCESSORIES	AC-400	192
GRT3250G0D0G00	ACCESSORIES	AC-420	192
GRT4000G0B0G00	ACCESSORIES	AC-430	192
GRT0600E0L0W00	RAMPART	RAMPART 600-24V	130
GRT0600E0L0W00	RAMPART	RAMPART 600-24V	130
GST001AAN0G00	ACCESSORIES		

General terms of sale

1. GENERAL

- 1.1 This document is directed at the customers (hereinafter referred to as "Customers") of FRATELLI COMUNELLO SPA (hereinafter referred to as "FRATELLI COMUNELLO SPA").
- 1.2 It is intended to define the provisions regulating all purchase contracts entered into between FRATELLI COMUNELLO SPA and each Customer (hereinafter referred to as "General Conditions of Sale").
- 1.3 Purchase agreements subject to the General Conditions of Sale cover Products bearing the COMUNELLO brand (hereinafter referred to as "the Products").

2. PRELIMINARY OFFERS

- 2.1 Offers put forward by FRATELLI COMUNELLO to the Customers shall be valid for a maximum period of 20 (twenty) days from the date on which they are sent.

3. ORDERS

- 3.1 Pursuant to article 1329 of the Italian Civil Code, purchase orders signed by the Customers and addressed to FRATELLI COMUNELLO SPA constitute an established, irrevocable offer, valid for a period of 30 (thirty) days from the date on which they are received by FRATELLI COMUNELLO SPA.
- 3.2 The purchase agreement is executed once:
- a) the purchase order is confirmed in writing by FRATELLI COMUNELLO SPA;
 - b) the purchase order is physically processed by FRATELLI COMUNELLO SPA.
- 3.3 Variations or additions to the individual provisions contained in the General Conditions of Sale or the purchase order will only be effective if expressly approved in writing by FRATELLI COMUNELLO SPA. If the purchase order is modified, FRATELLI COMUNELLO SPA reserves the right to cancel both the variations made and the original purchase order.
- 3.4 The date indicated in purchase orders for the delivery of the Products is always and in any event intended merely as an indication and any delays beyond the fixed date will not justify any claims for compensation or actions to terminate the agreement. More precisely, FRATELLI COMUNELLO SPA reserves the right to extend the delivery terms and to cancel the purchase order due to events of force majeure or events that are beyond its control; a change in the Customer's legal status; difficulties affecting the supply of raw materials or components.

4. DELIVERY AND SHIPMENT

- 4.1 The Products are delivered to either the production premises or the registered office of FRATELLI COMUNELLO SPA (hereinafter referred to as "Delivery").
- 4.2 If the Products are delivered Ex-works Rosà (VI) INCOTERMS 2010, risk will pass at the time of Delivery of the Products by FRATELLI COMUNELLO SPA to the Customer, who will also bear the transportation costs.
- 4.3 Unless otherwise agreed, FRATELLI COMUNELLO SPA establishes, in the Customer's name and on its behalf, the transportation route and carrier.
- 4.4 FRATELLI COMUNELLO SPA reserves the right to process partially or make partial Deliveries of purchase orders. The Customer may not make any objection regarding fractioned and/or partial deliveries. All partial Deliveries must be invoiced separately and the terms for payment will run from the date of each invoice. Payment of partial Deliveries may not be postponed until the final Delivery under the original purchase order. In the case of partial deliveries, the provisions contained in clause 4.1 will apply.

5. PRICES AND PRICE LISTS

- 5.1 The term price refers to that indicated in the latest FRATELLI COMUNELLO SPA price list, for the Products delivered to the Customer, normal packaging included, shipping costs excluded (hereinafter referred to as the "Price"). The latest price list issued by FRATELLI COMUNELLO SPA invalidates all previous price lists.

6. PAYMENT

- 6.1 The Price must be settled by the agreed date. Without prejudice to the right to claim further damage, failure to pay the Price by that date will give rise to the payment of interest for delay in commercial transactions, at the rate envisaged in Legislative Decree no. 231 dated 9.10.2002 and subsequent amendments and additions thereto. This interest will run from the date on which payment should have been made.
- 6.2 The Customer may not make applications or complaints to FRATELLI COMUNELLO SPA until the Price has been settled.
- 6.3 If payments have not been duly made, FRATELLI COMUNELLO SPA reserves the right to block all purchase orders and all Deliveries underway, without giving any prior notice or creating any right to compensation for any damage incurred.

7. RETURNED GOODS AND COMPLAINTS

- 7.1 All complaints must be made in writing within 8 (eight) days from receipt of the Products, whether they relate to either the quantity or the quality of the Products delivered.
- 7.2 Returned Products will only be accepted by FRATELLI COMUNELLO SPA if first agreed upon in writing and exclusively in relation to Products which are new and intact and still in their original packaging.
- 7.3 Goods returned must be accompanied by an appropriate transportation document for the return of merchandise, referring to the written authorisation obtained from FRATELLI COMUNELLO SPA and the quantity and quality of the Products.
- 7.4 Returned goods will not be held to have been accepted by FRATELLI COMUNELLO SPA if not delivered in the manner described above and, in particular, the delivery of the Products to the registered office or storage premises or FRATELLI COMUNELLO SPA will not be considered as an acceptance of returned goods.
- 7.5 It is understood that any amount credited with reference to goods returned for reasons that are not attributable to FRATELLI COMUNELLO SPA will be decreased by 30%.

8. WARRANTY

- 8.1 This warranty is supplied as part of commercial dealings or in the event of the sale of goods for professional use in keeping with article 1512 of the Italian Civil Code and, unless otherwise agreed by the Parties, is limited to the repair or replacement of the Product parts recognised by FRATELLI

- COMUNELLO SPA as defective with equivalent repaired Products (hereinafter referred to as the "Standard Warranty").
- 8.2 The provisions contained in articles 1490-1495 of the Italian Civil Code, relating to legal warranties, do not apply.
- 8.3 FRATELLI COMUNELLO SPA warrants that the Products are in good working order. Unless otherwise agreed, the Standard Warranty is valid for a period of 24 (twenty-four) months from the date of production, established for the Products. The warranty for the tubular motors in the Showin line is valid for 60 (sixty) months from the date of production, whilst for the remaining Products in the Mowin line the warranty is valid for a period of 36 (thirty-six) months from the date of production. The validity of the Standard Warranty is conditional upon conformity of the technical characteristics and adoption of correct installation, executed in a workmanlike manner, safety and maintenance methods and conformity of use, expressly indicated in the technical documentation accompanying the Products.
- 8.4 The warranty does not cover: faults or damage caused by transportation; faults or damage caused by defects in the electric supply system installed at the premises of the purchaser of the Product and/or negligence, inadequacy or improper use of that system; faults or damage resulting from tampering on the part of non-authorised personnel or as a result of incorrect use/installation (in this regard, we recommend that the system be serviced at least every six months) or utilisation of non-original spare parts; defects caused by chemical agents and/or atmospheric conditions. The warranty does not cover the cost of labor, expendable material nor expenses stemming from presumed defects or unnecessary inspections.
- 8.5 Implementation of warranty: unless otherwise agreed, the right to apply the Standard Warranty is exercised by presenting a copy of the purchase document (fiscal invoice) to FRATELLI COMUNELLO SPA. The Customer must report the defect to FRATELLI COMUNELLO SPA within a period of 30 (thirty) days from the date on which it is discovered. Action must be taken within the statutory limitation period of 6 (six) months from the date of discovery. The parts of the Products for which a claim is made under the Standard Warranty must be sent by the Customer to FRATELLI COMUNELLO SPA Via Cassola 64 c.p. 79, 36027 Rosà (VI) Italy.
- 8.6 The Customer may not claim compensation for consequential damage, loss of profit, loss of production or may not in any event claim as compensation sums exceeding the value of the components or the Products supplied. All expenses relating to the transportation of the Products to be repaired or repaired, even if covered by the Standard Warranty, are borne by the Customer.
- 8.7 No external operation carried out by FRATELLI COMUNELLO SPA technical staff is covered by the Standard Warranty.
- 8.8 Specific modifications to the conditions contained in the Standard Warranty described herein may be established by the Parties in their sales agreements.

9. REPAIRS

- 9.1 Repairs to the Products requested by the Customer will be carried out by FRATELLI COMUNELLO SPA, having first agreed on the cost of the operation. In any event labour and transportation (to and from its premises) will be borne by the Customer.

10. RETENTION OF TITLE

- 10.1 It is expressly agreed that title to the Products will remain with FRATELLI COMUNELLO SPA until the Price has been fully settled by the Customer, regardless of whether it has possession of the said Products. Transportation costs and other expenses proving necessary to recover Products, such as extraordinary and recurring expenses, will be borne by the Customer.

11. PATENTS, TRADEMARKS AND DISTINCTIVE SIGNS

- 11.1 The Customer is aware of the fact that the Products are covered by patents and are the subject of Know-How and designs owned exclusively by FRATELLI COMUNELLO SPA, in keeping with the Italian Industrial Property Code.
- 11.2 It is expressly directed that the Customer must not under any circumstances infringe the rights of FRATELLI COMUNELLO SPA and the Customer may not in any event remove, delete or in any way alter trademarks or other distinctive signs or marks of any kind affixed to the Products, nor may it affix to them new marks or signs of any kind. No form of reproduction or use of the FRATELLI COMUNELLO SPA trademark or any other distinctive sign attached to the Products is permitted, without written authorisation from FRATELLI COMUNELLO SPA.

12. EXPRESS TERMINATION

- 12.1 Within the meaning and for the purposes envisaged in article 1456 of the Italian Civil Code, default in payment or payment delayed beyond ten days of the Price by the Customer, even if only partial, in the manner described in clause 6 of these General Conditions of Sale, will result in the termination of the purchase agreement and entitle FRATELLI COMUNELLO SPA to demand compensation of damage incurred from the Customer, as well as the return of those Products for which the Customer has not yet paid the Price.
- 12.2 The notice referred to in the previous sub-clause must be transmitted by registered mail with advice of receipt or by certified electronic mail.

13. AGREEMENTS BETWEEN THE PARTIES

- 13.1 Any agreements, already existing or entered into subsequently, between FRATELLI COMUNELLO SPA and the Customer, in relation to returned goods and methods of payment will prevail over the provisions contained in the General Conditions of Sale.

14. APPLICABLE LAW AND JURISDICTION

- 14.1 Purchase agreements stipulated in accordance with the General Conditions of Sale are subject to and must be construed in accordance with Italian law, excluding any other legislation or laws.
- 14.2 Any dispute that may arise in relation to the aforementioned purchase agreements shall be subject to Italian jurisdiction and referred exclusively to the Court of Vicenza (Italy). The contents of this catalogue may be modified at any time without the need for prior notice from Fratelli Comunello SPA.



All images, technical drawings and specifications are the exclusive property of Fratelli Comunello SpA and are protected by International Copyright laws. Any unauthorised use will result in legal proceedings. Fratelli Comunello SpA reserves the right to alter technical specifications at any time without notice. Clients may request bespoke products of different sizes and/or based on customised designs. All photographs and other images shown are for informational purposes only. Fratelli Comunello SpA reserves the right to make any kind of alteration, at any time and without prior notice so as to update and improve the catalogue. Fratelli Comunello SpA is not liable for any errors or other mistakes in the technical descriptions and technical characteristics of the products shown.

FRATELLI COMUNELLO S.P.A.

Via Cassola, 64 - C.P. 79

36027 Rosà, Vicenza, Italy

Tel. +39 0424 585111 Fax +39 0424 533417

info@comunello.it www.comunello.com



Concept and design: Caseley Giovara Srl

Photos: Riccardo Umato Fotografo

Printed in Italy

Rev. 01 (07/2016)

Life
made
easy



COMUNELLO

AUTOMATION

FRATELLI COMUNELLO S.P.A.

HEADQUARTERS

Via Zarpellon, 33

36027 San Giuseppe di Cassola, Vicenza, Italy

Tel. +39 0424 585111 Fax +39 0424 533417

info@comunello.it www.comunello.com

REGISTERED OFFICE

Via Cassola,64 - C.P.79

36027 Rosà, Vicenza, Italy

Tel. +39 0424 585111 Fax +39 0424 533417

info@comunello.it www.comunello.com