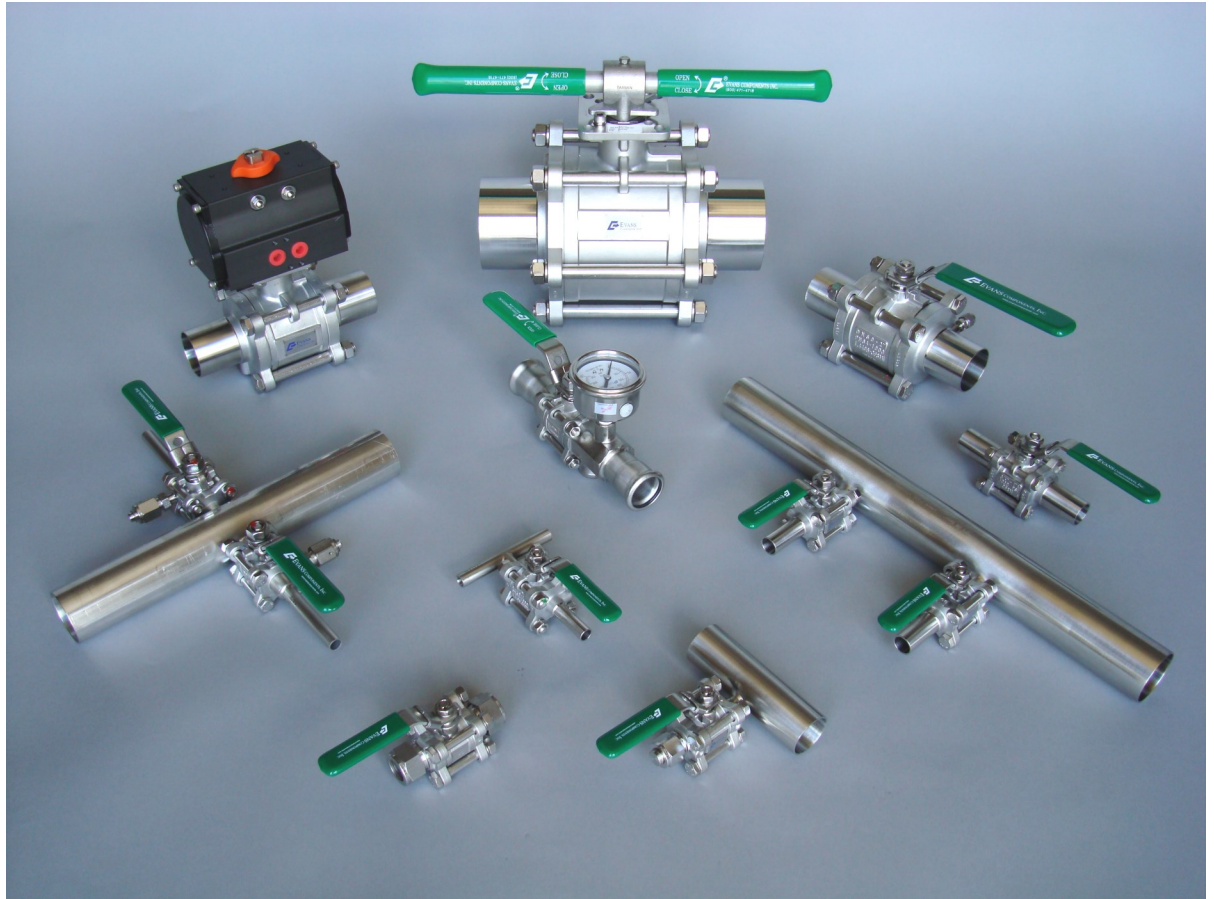


# Evans Ball Valves

*High Purity 304 Stainless*



## SG Series

- 1/4" - 12" and 15A-300A Sizes
- CFOS Cleaned and Bagged
- Integrated Valve Assemblies
- Spool Assemblies up to 20' (6m) Lengths
- 100% Helium Leak Tested
- Integrated Pressure Gauge for Tool Hook-up



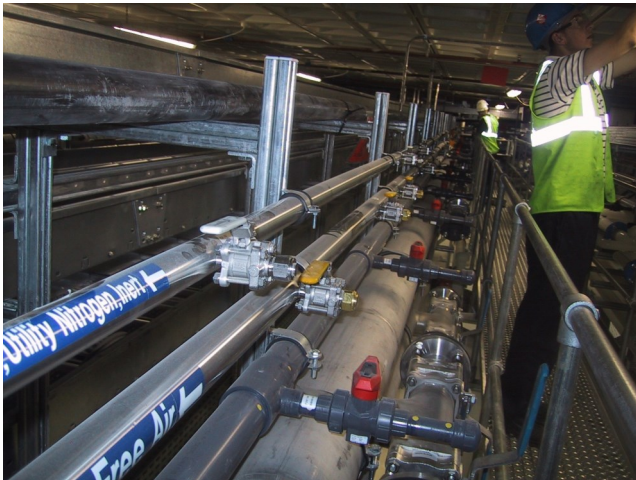
# Evans SG Series Solar Grade Ball Valves

Evans Components, Inc. was the first to introduce a High Purity Valve for use in the Semiconductor industry. The SG series represents the first “Solar Grade” ball valve made for use in the Solar Industry. Designed to meet the Solar Industry’s need for a cost effective, high quality valve for CDA, GN2 and other inert gas applications, Solar Grade ball valves are CFOS (Cleaned For Oxygen Service) cleaned with D.I. Water and surfactant, then single bagged for protection.

## Evans/Dockweiler Spool Assemblies

### Creating Value

- Eliminates Over 70% of Field Welds
- Helium Leak Tested,  $1 \times 10^{-7}$  scc/sec
- Proven I.D. Weld Technology, Minimized Dead leg
- Cleaned, Assembled, & Packaged in Cleanroom Environment
- Optional Lengths up to 20'
- Ideal Solution for Fast Track Projects
- Lowest Installed Cost
- Standard Catalog Item with Part Number Marked on Spool



## Features

### Lower Installed Cost

- Reduced number of welds
- Elimination of fittings in systems (tee's, crosses, etc.)
- No valve disassembly required
- Pre-fabricated, leak tested spools

### Quality Production of Assembly in Controlled Environment

- Reduced tool down time
- Reduced field failure
- Fast track line certification and qualification
- Higher quality, lower installed cost

### Custom Manufacturing

- Up to 20' long spool assemblies
- Special overall lengths / configurations
- Wide variety of end connections
- 45° & 90° Inlet flange assemblies

### Full Selection of Ball Valves

- Sizes from 1/4" to 12"
- Integrated valves with heat traceable 304L SS tube extensions

### Locking Handles

- Standard locking lever, 1/4" - 2-1/2"
- Tee style bar handle, 3" - 6"
- Gearbox actuation, 8" - 12"

### Testing of Valve Assemblies

- Stainless valves leak tested to  $1 \times 10^{-7}$  scc/sec

### High Purity Cleaning & Packaging

- Cleaned with hot DI water and surfactant
- Final DI water rinse and oven dried
- Single polyethylene bag packaging with Mylar lined polyethylene cap

# Evans SG Series Solar Grade Ball Valves

## Stainless Steel Body Specifications (SG Series Ball Valve)

Pressure Rating	Vacuum to 1000 psig on 1/4" - 4" Vacuum to 300 psig on 5" - 12"
Temperature Rating	-40°F to 375°F at 100 psig

## General Tube/pipe Specifications (SG Series Ball Valves)

Standard 304L tubing is mechanically polished on the ID to 32 RA. Tube ends are square cut, faced and designed for orbital welding.

**Note:** SCH10 SS pipe stubs supplied either mechanically polished to 30 RA or pickled/passivated

## Flow Specifications (Cv)

1/4"	1.1	3"	1100
3/8"	2.8	4"	2100
1/2"	19	5"	3800
3/4"	35	*6"RP	4550
1"	50	*6"FP	5100
1-1/4"	110	*8"RP	6500
1-1/2"	200	*8"FP	9500
2"	350	10"	14,589
2-1/2"	650	12"	21,802

\*RP: Reduced Port  
\*FP: Full Port

## Available Body Configurations

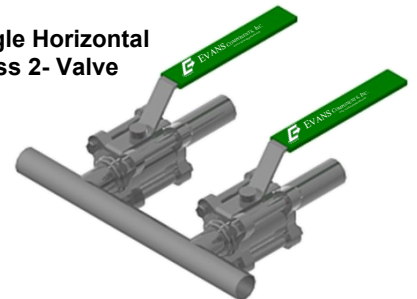
High Purity  
Straight Valve



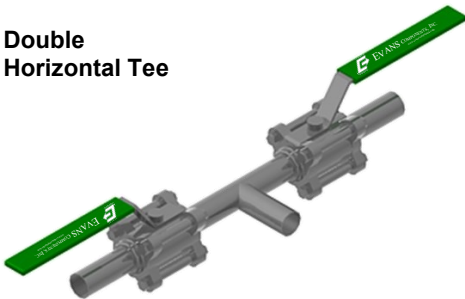
Single Horizontal  
Cross



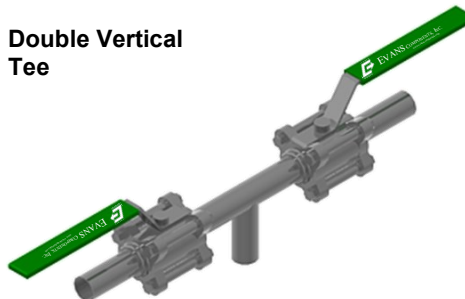
Single Horizontal  
Cross 2- Valve



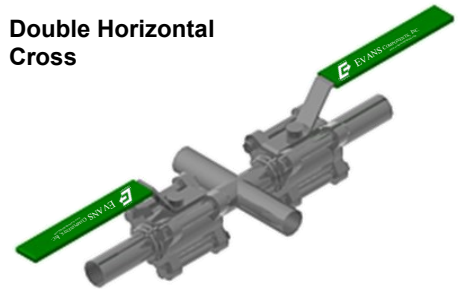
Double  
Horizontal Tee



Double Vertical  
Tee



Double Horizontal  
Cross



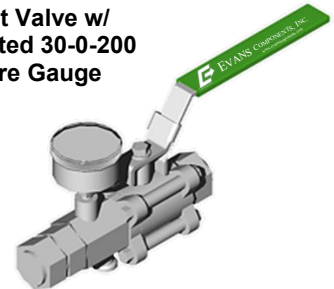
Single Horizontal  
Cross 45° Offset



Single Horizontal  
Cross 90° Offset



Straight Valve w/  
Integrated 30-0-200  
Pressure Gauge

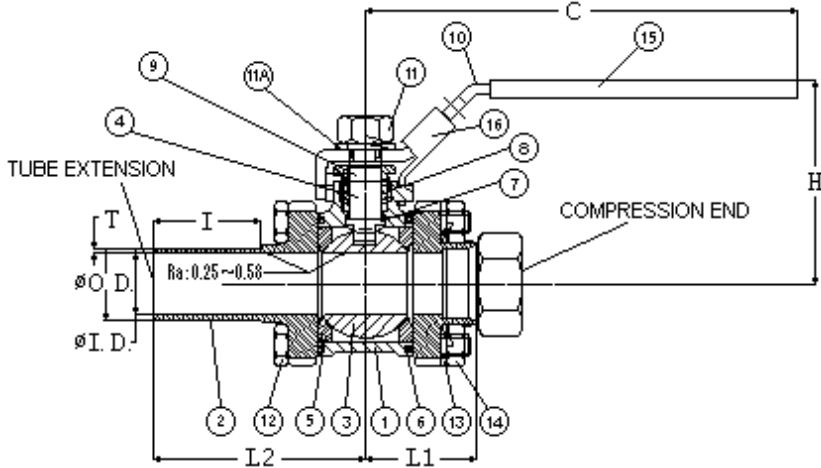


## Evans Components Inc.

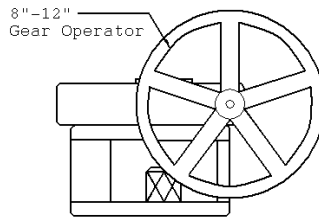
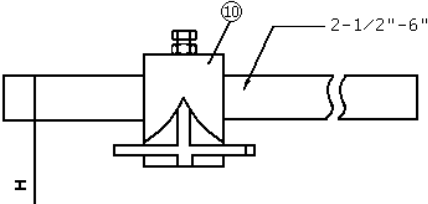
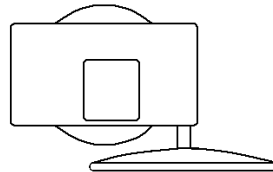
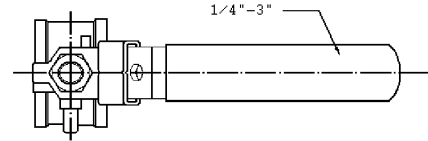
7606 SW Bridgeport Road · Portland, Oregon 97224 USA  
Phone 971-249-1600 · Fax 971-249-1601 · [www.evanscomponents.com](http://www.evanscomponents.com)



# Evans SG Series Solar Grade Ball Valves



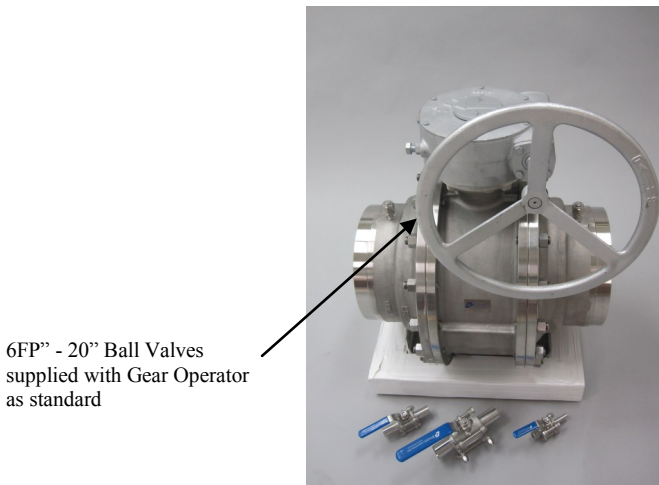
Item	Description	Material	Qty
1	Body	CF8/CF8M	1
2	End Cap	CF3/CF3M	2
3	Ball	CF8/CF8M	1
4	Stem	SS304	1
5	Ball Seat	PTFE,TEFLON	2
6	Body Seal	PTFE,TEFLON	2
7	Thrust Washer	PTFE,TEFLON	1
8	Stem Packing	PTFE,TEFLON	1
9	Stem Nut	SS304	1
10	Handle	SS304	1
11	Handle Nut	SS304	1
11A	Handle Washer	SS304	1
12	Body Bolt	SS304	4
13	Bolt Washer	SS304	4
14	Bolt Nut	SS304	4
15	Handle Sleeve	VINYL	1
16	Locking Device	SS304	1



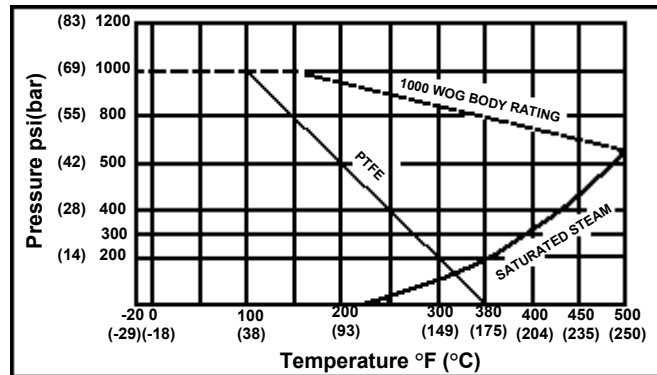
## IN/mm

Size	ØID	ØOD	T	L1	L2	C	H	I
1/4"	0.181	0.25	0.035	1.6	1.3	4.055	2.087	0.40
	4.597	6.350	0.889	(40.13)	(33.0)	102.10	53.01	10.16
3/8"	0.295	0.375	0.035	1.6	1.3	4.055	2.087	0.40
	7.493	9.525	0.889	(40.1)	(33.0)	102.10	52.01	10.16
1/2"	0.402	0.50	0.049	1.7	2.7	4.055	2.283	1.40
	10.21	12.70	1.240	(45.2)	(67.8)	102.10	57.99	35.56
3/4"	0.622	0.75	0.065	1.7	2.7	5.039	2.480	1.50
	15.80	19.05	1.650	(43.1)	(67.8)	127.10	62.10	38.10
1"	0.870	1.00	0.065	2.15	2.9	6.102	2.874	1.50
	22.10	25.40	1.650	(54.6)	(73.1)	154.10	72.10	38.10
1-1/2"	1.370	1.50	0.065	*C/F	3.9	7.638	3.543	1.76
	34.80	38.10	1.650		(99.3)	194.01	89.10	44.70
2"	1.870	2.00	0.065	*C/F	4.3	7.638	3.858	1.76
	47.50	50.80	1.650		(105.9)	194.01	97.10	44.70
2-1/2"	2.370	2.50	0.065	N/A	5.7	11.62	5.472	2.22
	60.20	63.50	1.650		(140.2)	194.01	138.1	56.39
3"	2.870	3.00	0.065	N/A	5.7	15.55	5.866	2.46
	72.90	76.20	1.650		(140.2)	295.15	148.10	62.48
4"	3.834	4.00	0.089	N/A	6.0	19.49	7.008	2.42
	97.38	101.6	2.110		(152.9)	394.97	178.00	61.47
6"	5.910	6.00	0.109	N/A	7.4	N/A	9.100	2.10
	150.11	152.4	2.770		(188.2)		231.14	53.34
6" RP	4.920	6.00	0.109	N/A	6.2	N/A	7.790	2.10
	124.97	152.4	2.770		(160.0)		197.87	53.34
8"	7.760	8.00	0.120	N/A	10.3	N/A	9.100	2.30
	197.10	203.2	3.050		(260.5)		231.14	58.42
8" RP	5.910	8.00	0.120	N/A	6.3	N/A	9.100	2.30
	150.11	203.2	3.050		(160.0)		231.14	58.42

Dimensions are +/- 0.3"  
\*C/F - Consult Factory



6FP\"-20\" Ball Valves supplied with Gear Operator as standard



Dimensions are for reference only, certified drawings are available by consulting factory

# Evans SG Series Solar Grade Ball Valves

## PART NUMBERING / ORDER INFORMATION

UPSTREAM ——— DOWNSTREAM

**SG - 08 - 24 - DHC - M C 08 - XP**

**1      2      3      4      5      6      7      8      9      10**

Above part number describes a 1/2" stainless steel, double horizontal cross with a 1-1/2" 304L stainless steel tube main, a 1/2" stainless steel compression branch and a single, downstream compression purge port.

### 1. Series (Material) Designator

SG - 304 Stainless Steel (1/4" - 12") (15A - 300A)

### 2. Valve Size

04 - 1/4"	20 - 1-1/4"	80 - 6" RP
06 - 3/8"	24 - 1-1/2"	96 - 6" FP or 8" RP
08 - 1/2"	32 - 2"	128 - 8" FP
10 - 5/8"	40 - 2-1/2"	160 - 10"
12 - 3/4"	48 - 3"	192 - 12"
16 - 1"	64 - 4"	

### 3. Main Size Designator - IN. (JIS)

04 - 1/4"	24 - 1-1/2" (40A)	96 - 6" (150A)
06 - 3/8"	32 - 2" (50A)	128 - 8" (200A)
08 - 1/2" (15A)	40 - 2-1/2" (65A)	160 - 10" (250A)
12 - 3/4" (20A)	48 - 3" (80A)	192 - 12" (300A)
16 - 1" (25A)	64 - 4" (100A)	
20 - 1-1/4" (32A)	80 - 5" (125A)	

### 4. Valve Assembly Pattern Designator

STR - Straight 2-way  
 SHC - Single Horizontal Cross  
 SHC2 - Single Horizontal Cross (2-valves)  
 SH45 - Single Horizontal Cross 45° Offset  
 SH90 - Single Horizontal Cross 90° Offset  
 DHC - Double Horizontal Cross  
 DHT - Double Horizontal Tee  
 DVT - Double Vertical Tee

### Manifold Assemblies

\* - **Insert number designator indicating total quantity of valves required for manifold. (Example: DHC6, Double Horizontal Cross pattern, 6 valves)**

### 5. Inlet Connection Designator

W - 304L SS Tube Extension  
 C - SS Compression Fitting  
 D - Plugged SS Compression Fitting  
 E - Pipe Socket Weld  
 F - Female NPT  
 G - 304L Sch. 10 Pipe Extension  
 G5 - 304L Sch. 5 Pipe Extension  
 J - 304L Sch. 5 JIS Pipe Extension  
 I - 304L Sch. 10 JIS Pipe Extension  
 N - NW/KF Vacuum Fitting  
 K - Cap Male Face Seal  
 R - Male Face Seal  
 Q - Plugged Female Face Seal  
 T - 304L Tube Extension with Weld Cap  
 Y - Dockweiler Removable Weld Cap  
 U - 150# ANSI Pipe Flange

### 6. Outlet Connection Designator

W - 304L SS Tube Extension  
 C - SS Compression Fitting  
 D - Plugged SS Compression Fitting  
 E - Pipe Socket Weld  
 F - Female NPT  
 G - 304L Sch. 10 Pipe Extension  
 G5 - 304L Sch. 5 Pipe Extension  
 J - 304L SS Sch. 5 JIS Pipe Extension  
 I - 304L SS Sch. 10 JIS Pipe Extension  
 N - NW/KF Vacuum Fitting  
 K - Capped Male Face Seal  
 R - Male Face Seal  
 Q - Plugged Female Face Seal  
 T - 304L Tube Extension with Weld Cap  
 Y - Dockweiler Removable Weld Cap  
 U - 150# ANSI Pipe Flange

### 7. Outlet Connection Size - IN (JIS)

(Skip this designator for 2-way valves)

04 - 1/4"	16 - 1" (25A)	40 - 2-1/2" (65A)
06 - 3/8"	20 - 1-1/4" (32A)	48 - 3" (80A)
08 - 1/2" (15A)	24 - 1-1/2" (40A)	64 - 4" (100A)
12 - 3/4" (20A)	32 - 2" (50A)	

### 8. Purge Port Designator (Upstream/Downstream)

(1/4" purge port: 1/4" - 2-1/2", 1/2" purge port: 3" and up)  
 X - No Purge Port  
 V - Purge Valve (capped compression end connection)  
 VZ - Purge Valve (capped VCR end connection)  
 P - Capped Compression  
 Z - Capped Male Face Seal

### 9. Options

Z - Non-High Purity (high purity cleaning is standard)  
 G200 - 30-0-200 Integrated CFOS Pressure Gauge  
 NO - Normally Open Actuator - Spring Return  
 NC - Normally Closed Actuator - Spring Return  
 DA - Double Acting Actuator  
 \* **Solenoid Assist for Air Actuator**  
 24 - 24 VDC Solenoid Assist  
 120 - 120 VAC Solenoid Assist  
 240 - 240 VAC Solenoid Assist  
 LS - Nema 4.4 X Limit Switch W/ Beacon  
 EX - Explosion Proof Option

### 10. Optional Colored Handle Designator

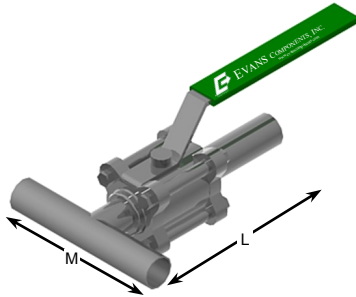
(Leave Blank for Standard Green Handle)

B - Black	BL - Blue
Y - Yellow	W - White
R - Red	I - Pink

# Evans SG Series Solar Grade Ball Valves

## INTERGRATED VALVE DIMENSIONS

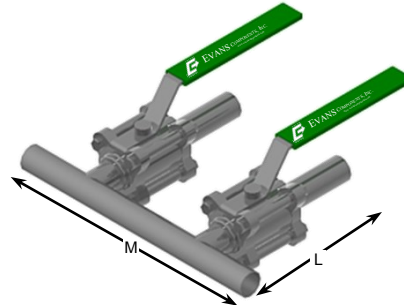
### Single Horizontal Cross (SHC)



Size	M	Dimension "L"	
		Compression	Tube Stub
1/2" X 1/4"	3.75	2.92	2.92
1/2" X 1/2"	3.75	3.29	4.52
3/4" X 1/4"	4.00	3.04	3.04
3/4" X 1/2"	4.00	3.41	4.64
3/4" X 3/4"	4.00	3.58	4.75
1" X 1/2"	4.25	3.54	4.77
1" X 3/4"	4.25	3.71	4.88
1" X 1"	4.25	3.85	4.88
1-1/2" X 1/2"	4.75	3.79	5.02
1-1/2" X 3/4"	4.75	3.96	5.13
1-1/2" X 1"	4.75	4.10	5.13
1-1/2" X 1-1/2"	4.75	C/F	7.05
2" X 1/2"	5.75	4.04	5.27
2" X 3/4"	5.75	4.21	5.38
2" X 1"	5.75	4.35	5.38

Dimensions are +/- 0.3"  
\*C/F - Consult Factory

### Single Horizontal Cross 2-Valve (SHC2)

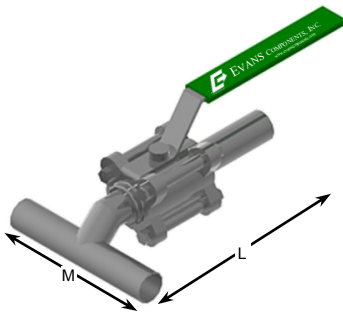


Size	M	Dimension "L"	
		Compression	Tube Stub
1/2" X 1/4"	19.0	2.92	7.30
1/2" X 1/2"	19.0	3.29	7.90
3/4" X 1/4"	19.0	3.04	5.77
3/4" X 1/2"	19.0	3.41	5.88
3/4" X 3/4"	19.0	3.58	5.88
1" X 1/2"	19.0	3.54	8.40
1" X 3/4"	19.0	3.71	6.38
1" X 1"	19.0	3.85	8.30
1-1/2" X 1/2"	19.0	3.79	8.90
1-1/2" X 3/4"	19.0	3.96	5.13
1-1/2" X 1"	19.0	4.10	7.38
1-1/2" X 1-1/2"	C/F	C/F	C/F
2" X 1/2"	19.0	4.04	9.90
2" X 3/4"	19.0	4.21	5.38
2" X 1"	19.0	4.35	5.38

Dimensions are +/- 0.3"  
\*C/F - Consult Factory

Size	M	Dimension "L"	
		Compression	Tube Stub
2" X 1-1/2"	C/F	C/F	C/F
2" X 2"	C/F	C/F	C/F
3" X 1/2"	19.0	4.54	5.77
3" X 3/4"	19.0	4.71	5.88
3" X 1"	19.0	4.85	5.88
3" X 2"	C/F	C/F	8.40
4" X 1"	19.0	5.35	6.38
4" X 1-1/2"	C/F	C/F	8.30
4" X 2"	C/F	C/F	8.90
4" X 3"	C/F	N/A	C/F
6" X 1"	19.0	6.35	7.38
6" X 1-1/2"	C/F	C/F	9.30
6" X 2"	C/F	C/F	9.90
6" X 3"	C/F	N/A	C/F
6" X 4"	C/F	N/A	C/F

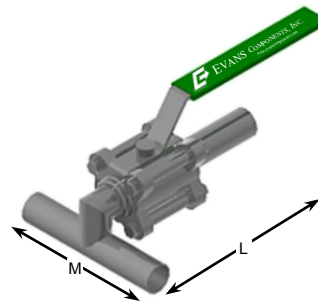
### Single Horizontal Cross 45° Offset (SH45)



Size	M	Dimension "L"	
		Compression	Tube Stub
1/2" X 1/2"	3.75	3.69	4.92
3/4" X 1/2"	4.00	3.78	5.01
3/4" X 3/4"	4.00	3.95	5.12
1" X 1/2"	4.25	3.87	5.10
1" X 3/4"	4.25	4.04	5.21
1-1/2" X 1/2"	4.75	4.05	5.10
1-1/2" X 3/4"	4.75	4.22	5.39
2" X 1/2"	5.75	4.22	5.45
2" X 3/4"	5.75	4.39	5.56
3" X 1/2"	6.75	4.58	5.81
3" X 3/4"	6.75	4.75	5.92

Dimensions are +/- 0.3"  
\*C/F - Consult Factory

### Single Horizontal Cross 90° Offset (SH90)



Size	M	Dimension "L"	
		Compression	Tube Stub
1/2" X 1/2"	3.75	3.03	4.26
3/4" X 1/2"	4.00	3.03	4.26
3/4" X 3/4"	4.00	3.20	4.37
1" X 1/2"	4.25	3.03	4.26
1" X 3/4"	4.25	3.20	4.37
1-1/2" X 1/2"	4.75	3.03	4.26
1-1/2" X 3/4"	4.75	3.20	4.37
2" X 1/2"	5.75	3.02	4.26
2" X 3/4"	5.75	3.20	4.37
3" X 1/2"	6.75	3.03	4.26
3" X 3/4"	6.75	3.20	4.37

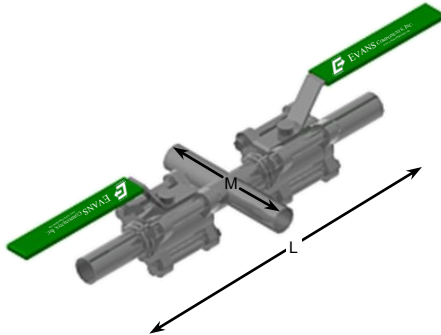
Dimensions are +/- 0.3"  
\*C/F - Consult Factory

\*Dimensions are for reference only, certified drawings available upon request

# Evans SG Series Solar Grade Ball Valves

## INTERGRATED VALVE DIMENSIONS

### Double Horizontal Cross (DHC)

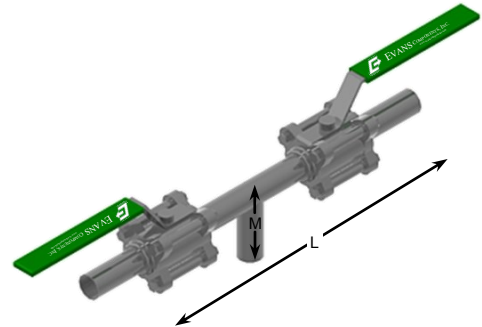


Size	M	Dimension "L"	
		Compression	Tube Stub
1/2" X 1/4"	1.88	5.84	5.84
1/2" X 1/2"	1.88	6.58	9.04
3/4" X 1/4"	2.00	6.08	6.08
3/4" X 1/2"	2.00	6.82	9.28
3/4" X 3/4"	2.00	7.16	9.50
1" X 1/2"	2.13	7.08	9.54
1" X 3/4"	2.13	7.42	9.76
1" X 1"	2.13	7.70	9.76
1-1/2" X 1/2"	2.38	7.58	10.04
1-1/2" X 3/4"	2.38	7.92	10.26
1-1/2" X 1"	2.38	8.20	10.26
1-1/2" X 1-1/2"	2.38	C/F	14.10
2" X 1/2"	2.88	8.08	10.54
2" X 3/4"	2.88	8.42	10.76
2" X 1"	5.75	8.70	10.76

Dimensions are +/- 0.3"  
\*C/F - Consult Factory

Size	M	Dimension "L"	
		Compression	Tube Stub
2" X 1-1/2"	2.88	C/F	14.60
2" X 2"	2.88	C/F	15.80
3" X 1/2"	3.38	9.08	11.54
3" X 3/4"	3.38	9.42	11.76
3" X 1"	3.38	9.70	11.76
3" X 2"	3.38	C/F	16.80
4" X 1"	4.13	10.70	12.76
4" X 1-1/2"	4.13	C/F	16.60
4" X 2"	4.13	C/F	17.80
4" X 3"	4.13	N/A	C/F
6" X 1"	5.63	12.70	14.76
6" X 1-1/2"	5.63	C/F	18.60
6" X 2"	5.63	C/F	19.80
6" X 3"	5.63	N/A	C/F
6" X 4"	5.63	N/A	C/F

### Double Vertical Tee (DVT)

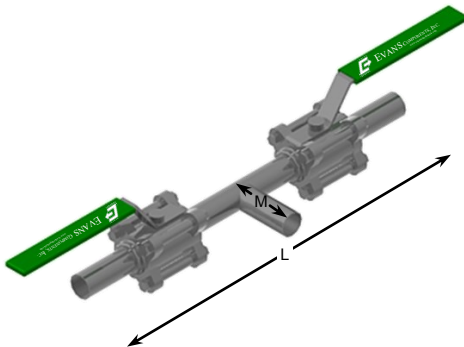


Size	M	Dimension "L"	
		Compression	Tube Stub
1/2" X 1/2"	1.88	6.58	9.04
3/4" X 1/2"	2.00	6.82	9.28
3/4" X 3/4"	2.00	7.16	9.50
1" X 1/2"	2.13	7.08	9.54
1" X 3/4"	2.13	7.42	9.76
1" X 1"	2.13	7.70	9.76
1-1/2" X 1/2"	2.38	7.58	10.04
1-1/2" X 3/4"	2.38	7.92	10.26
1-1/2" X 1-1/2"	2.38	C/F	14.10

Size	M	Dimension "L"	
		Compression	Tube Stub
2" X 1/2"	2.88	8.08	10.54
2" X 3/4"	2.88	8.42	10.76
2" X 1"	2.88	8.70	10.76
2" X 2"	2.88	C/F	15.80
3" X 1/2"	3.38	9.08	11.54
3" X 3/4"	3.38	9.42	11.76
3" X 1"	3.38	9.70	11.76
3" X 2"	3.38	C/F	16.80
4" X 2"	4.13	C/F	17.80

Dimensions are +/- 0.3"  
\*C/F - Consult Factory

### Double Horizontal Tee (DHT)



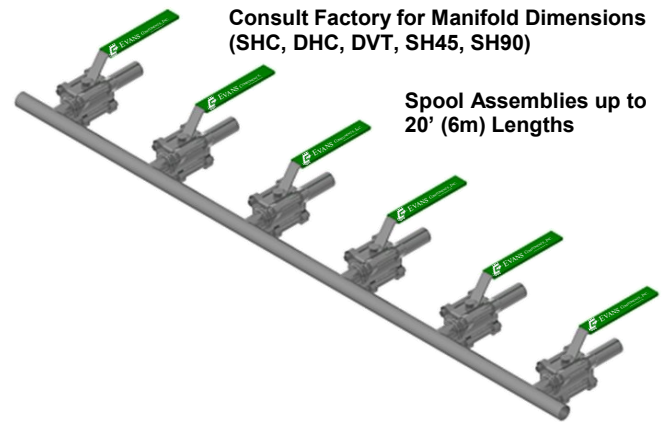
Size	M	Dimension "L"	
		Compression	Tube Stub
1/2" X 1/2"	1.88	6.58	9.04
3/4" X 1/2"	2.00	6.82	9.28
3/4" X 3/4"	2.00	7.16	9.50
1" X 1/2"	2.13	7.08	9.54
1" X 3/4"	2.13	7.42	9.76
1" X 1"	2.13	7.70	9.76
1-1/2" X 1/2"	2.38	7.58	10.04
1-1/2" X 3/4"	2.38	7.92	10.26
1-1/2" X 1-1/2"	2.38	C/F	14.10

Dimensions are +/- 0.3"  
\*C/F - Consult Factory

Size	M	Dimension "L"	
		Compression	Tube Stub
2" X 1/2"	2.88	8.08	10.54
2" X 3/4"	2.88	8.42	10.76
2" X 1"	2.88	8.70	10.76
2" X 2"	2.88	C/F	15.80
3" X 1/2"	3.38	9.08	11.54
3" X 3/4"	3.38	9.42	11.76
3" X 1"	3.38	9.70	11.76
3" X 2"	3.38	C/F	16.80
4" X 2"	4.13	C/F	17.80

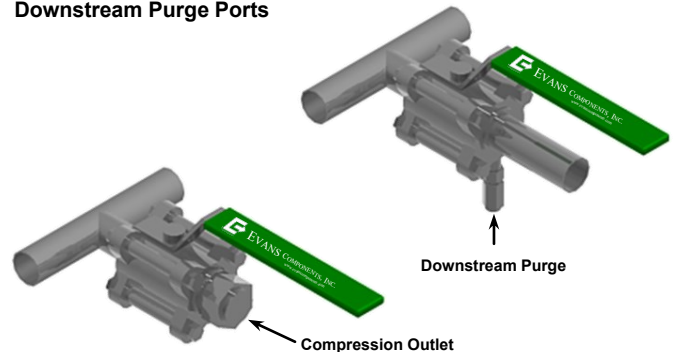
\*Dimensions are for reference only, certified drawings available upon request

Consult Factory for Manifold Dimensions  
(SHC, DHC, DVT, SH45, SH90)



Pool Assemblies up to  
20' (6m) Lengths

All Configurations Available with Compression Fittings and/or  
Downstream Purge Ports

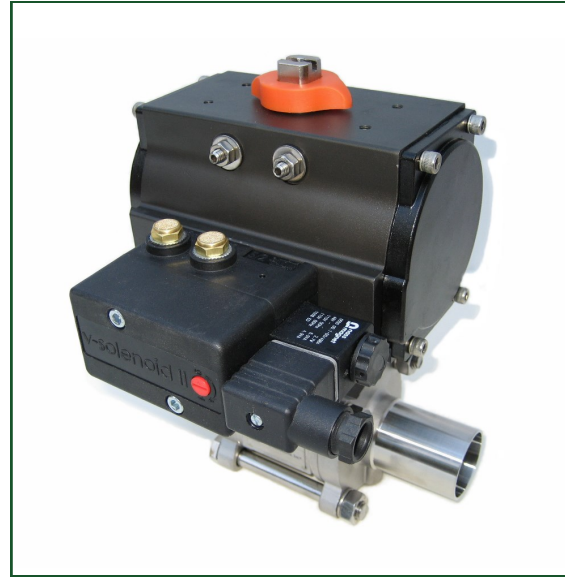


# Evans SG Series Solar Grade Ball Valves

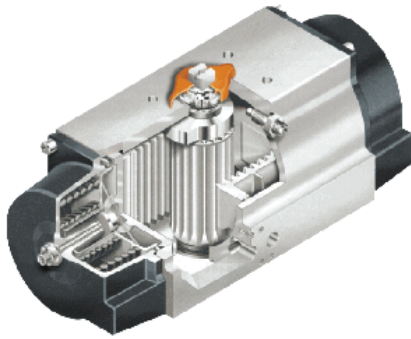
## V-SOLENOID II - direct mounting Namur solenoid valves for process valve actuators

### Standard features

- Robust, reliable patented 2 piston / 4 pillar poppet valve design provides bubble-tight shut-off for millions of cycles
- 5/2 function or 3/2 function selectable via 180° turn of the patented rotary sealing plate
- Direct NAMUR standard mounting
- Corrosion and impact resistant glass fiber reinforced composite material
- Low maintenance through non lubrication design
- High air flow ( $C_v > 1,1$ ) and fast response
- Exhaust feedback - provides actuator with clean instrument air, preventing corrosion and galling
- Wide operating temperature range: - 40°C to 50°C (-40°F to 125°F)
- Pressure range 2.5 - 8 Bar (35 - 120 PSI)
- Coils easily changed with a wide selection of voltages available
- Coil duty cycle 100%
- Coil can be fixed at any 90° increment
- Manual override with on / off indicator
- Weatherproof IP65
- NEMA types 4 and 4X
- All series CE certified

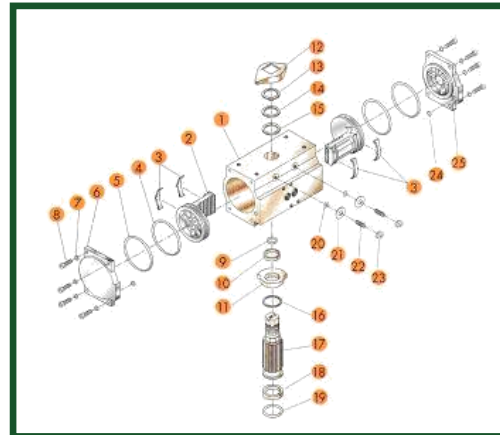


### Air Operator and Solenoid Specifications



### Performance

Operating Pressure Range: 40 to 120PSIG.  
 Maximum Allowable Working Pressure: 150PSIG.  
 Maximum Operating Pressure: 120PSIG  
 Operating Temperature Standard: -40°F to +200°F



1	BODY: Extruded aluminum alloy ( Hard anodized )	13	RETAINING RING: Stainless steel
2	PISTONS: Die cast aluminum alloy	14	WASHER: Stainless steel
3	BEARING: Nylon	15	BEARING: Nylon
4	O-RING: Buna-N	16	RETAINING RING: Stainless steel
5	O-RING: Buna-N	17	PINION: Carbon steel (Electro-less nickel plated)
6	END CAP(L): Die cast aluminum alloy	18	BEARING: Nylon
7	WASHER: Stainless steel	19	O-RING: Buna-N
8	CAP SCREW: Stainless steel	20	O-RING: Buna-N
9	O-RING: Buna-N	21	WASHER: Stainless steel
10	BEARING: Nylon	22	NUT: Stainless steel
11	STOP CAM: Sinteral steel	23	NUT: Stainless steel
12	PISTON INDICATOR: Polyethylene	24	O-RING: Buna-N
		25	END CAP(R): Die cast aluminum alloy



**Evans Components, Inc.**

7606 Bridgeport Road  
 Portland, Oregon 97224

Phone: 971-249-1600

Fax: 971-249-1601

Web Site: [www.evanscomponents.com](http://www.evanscomponents.com)

NOTE: Product availability and specifications contained herein are subject to change without notice. Consult local distributor or factory for potential revisions.